



**Accessories For Cleaning
and Source Extraction**

Healthy Business

Dustcontrol

Find the Right Accessory For Your Machine	2
Lighter Cleaning	3
Cleaning Of Machinery and Workplaces	4
Hand Pipes and Suction Pipes	6
Floor Nozzles	8
Suction Pipes and Brush Inserts	10
Suction Nozzles In Silicone	14
Material Transport	15
Source Extraction For Smoke, Gas and Welding Fumes	16
Spare Parts For Floor Tools	17

Which Accessories Match Your Machine?

In order for you to get the most out of your Dustcontrol, you need the right accessories. We supply cleaning equipment in all sorts of designs and materials. If your needs are not met by our standard assortment, we can manufacture customised solutions. Please speak to your sales representative for more information.

Our symbols



Suitable for example Extractor DC1800 / DC 2900
MINI < 300 m³/h



Suitable for example Extractor DC Tromb / DC Tromb Twin
MIDI > 300 m³/h



Suitable for example Extractor DC Storm
MAXI > 500 m³/h



Products with this mark - Good for food - meets all Industry requirements for color coding, antistatic material, hygienically cleanable and allows for automatic detection.



The product is antistatic and has an ESD certificate.



The product can be used in an Ex environment.



Lighter Cleaning

Cleaning accessories with low weight for easier cleaning in for example an office environment.

Ø25 - Ø32 mm



Suction Brush

Ø32 mm
Part No 7292



Suction Pipe, telescopic

Ø32 mm
Part No 7294



Hosekit

Ø32 mm
L=8 m
Part No 2048



Floor tool

Ø32 mm
W=270 mm
Part No 7293



Flat nozzle

Ø32 mm
L=200 mm
Part No 7399



Rectangular brush

Ø32 mm
Part No 7464

Cleaning Of Machinery and Workplaces

Ø38 - Ø50 mm



MINI

MIDI

MAXI

Dustcontrol DC 1800 eco



Floor nozzle

Complete with handpipe

ø38 Part No 7297

ø50 Part No 7281



Floor nozzle

Complete with handpipe

ø38 Part No 7297E

ø50 Part No 7281E



Rubber floor nozzle

Antistatic, W=200 mm

ø38 Part No 7300

ø50 Part No 7013



Suction nozzle in polypropylene

ø38 Part No 7038

ø50 Part No 7030



Pipe nozzle

RB=100 mm

ø38 Part No 7048



Pipe nozzle

RB=200 mm

ø38 Part No 7049



Flat nozzle

L=200 mm

W=70

ø50 Part No 7149



Flat nozzle in metal

L=400 mm

ø38 Part No 7213

ø50 Part No 7212



Flat nozzle

Black, L=350 mm

ø38 Part No 7365



Flat nozzle

L=350 mm, ø38

Part No 7472-01 Red

Part No 7472-02 Yellow

Part No 7472-03 Blue

Part No 7472-04 Green

Part No 7472-05 White



Tapered nozzle

Complete with handpipe

ø38 Part No 7276

ø38 Part No 7276E

ø50 Part No 7277

ø50 Part No 7277E



Tapered nozzle in rubber

Adjustable D=10-15-20-25 mm

ø38 Part No 72764

ø38 Part No 7264E

ø50 Part No 7272

ø50 Part No 7272E



Hand Pipes and Suction Pipes

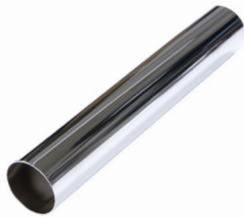
Ø38 - Ø50 mm

MINI

MIDI

MAXI





Hand pipe, chrome,
straight

L=220 mm
ø38 Part No 7035
ø50 Part No 7033



Hand pipe, chrome, curved

L=250 mm
ø38 Part No 7262
ø50 Part No 7271



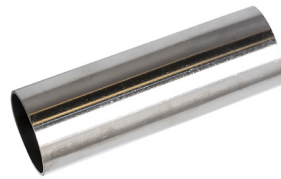
Hand pipe, stainless steel,
curved

L=250 mm
ø38 Part No 7262-02



Suction pipe, chrome

Extension
ø38 L=700 mm Part No 7260
ø50 L=710 mm Part No 7268



Hand pipe, stainless steel,
straight

L=110 mm
ø38 Art.nr. 44259




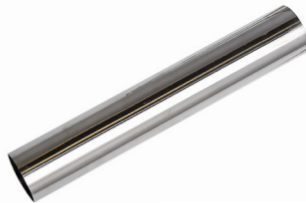
Suction pipe in chrome steel

ø38 Part No 7257
ø50 Part No 7265



Suction pipe, aluminium

ø38 Part No 7258
ø38 Part No 7258E 
ø50 Part No 7266





Hand pipe, chrome, straight

L=220 mm
ø38 Part No 703502




Suction pipe, aluminium

With wear strip
ø38 Part No 7259 
ø38 Part No 7259E 
ø50 Part No 7267



Suction pipe, aluminium

Extension, L=705 mm
ø38 Part No 7261
ø38 Part No 7261E 
ø50 Part No 7269



ERGO grip handle

Fits all ø50 suction pipes and
ø50 bulk nozzles.
ø50 Part No 7285

Floor Nozzles

Ø38 - Ø50 mm

MINI

MIDI

MAXI





Floor nozzle, in aluminium

With rubber wipe
W=370 mm

ø38 Part No 7235

ø38 Part No 7235E



Floor nozzle, in aluminium

Brush mounted front and rear
W=370 mm

ø38 Part No 7237



Floor nozzle, in aluminium

W=450 mm

ø38 Part No 7236

ø38 Part No 7236E



Floor nozzle, in aluminium

W=500 mm

ø50 Part No 7238

ø50 Part No 7238E



Floor nozzle, moulded plastic

With rubber wipe, W=320

ø38 Part No 7320



Floor nozzle, moulded plastic

With brush, W=320 mm

ø38 Part No 7321



Floor nozzle, moulded plastic

With rubber wipe
W=370 mm

ø38 Part No 7322



Floor nozzle, moulded plastic

With brush, B=370 mm

ø38 Part No 7323



Floor nozzle in aluminium

With rubber wipe

ø50 Part No 7307

Suction Pipes and Brush Inserts

Ø38 - Ø50 mm

MINI

MIDI

MAXI





Suction brush

Complete with hand pipe
ø38 Part No 7047



Suction brush, soft

ø50 Part No 7016



Rubber housing for a brush

ø38 Part No 7275
ø50 Part No 7274



Suction brush

Complete with brush,
hand pipes and rubber housing

ø38 Part No 7278

ø38 Part No 7278E

ø50 Part No 7279

ø50 Part No 7279E



Brush

ø38 Part No 7263

ø50 Part No 7263

Hand pipe

ø38 Part No 7262

ø50 Part No 7271



Black brush

Cleaning in +80 °C

ø38 Part No 7263

ø50 Part No 7263

Suitable for Part No 7278, 7279



White brush, hard

Cleaning in +80 °C

ø38 Part No 7398

ø50 Part No 7398

Suitable for Part No 7278, 7279



Antistatic brush

Cleaning in +100 °C

ø38 Part No 726301

ø50 Part No 726301

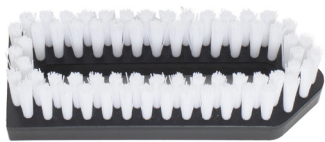
Suitable for Part No 7278, 7279



Suction Pipes and Brush Inserts

Suction brushes with a unique combination of qualities.
Adapted for the food industry.

Ø38 mm



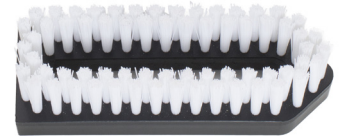
White brush insert for elongated brush holder, polyamide. FDA, ESD.

Part No 77901



Black brush insert for elongated brush holder, polyamide. FDA, ESD.

Part No 77902



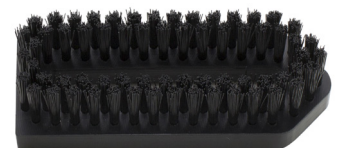
White soft brush insert for elongated brush holder, polyamide. FDA, ESD.

Part No 77007



Elongated brush holder in polypropylen, FDA

- Part No 77001-01 Red
- Part No 77001-02 Yellow
- Part No 77001-03 Blue
- Part No 77001-04 Green
- Part No 77001-05 White



Black soft brush insert for elongated brush holder, polyamide. FDA, ESD.

Part No 77008





Round brush insert in polyamide
Black, FDS, Antistatic.

Part No 44205



Round brush insert in polyamide
Soft, white, FDS, Antistatic.

Part No 77006



Round brush insert in polyamide
White, FDS, Antistatic.

Part No 44206



Round brush insert in polyamide
Soft, black, FDS, Antistatic.

Part No 77005



Round brush insert in polyamide
FDA, ESD.

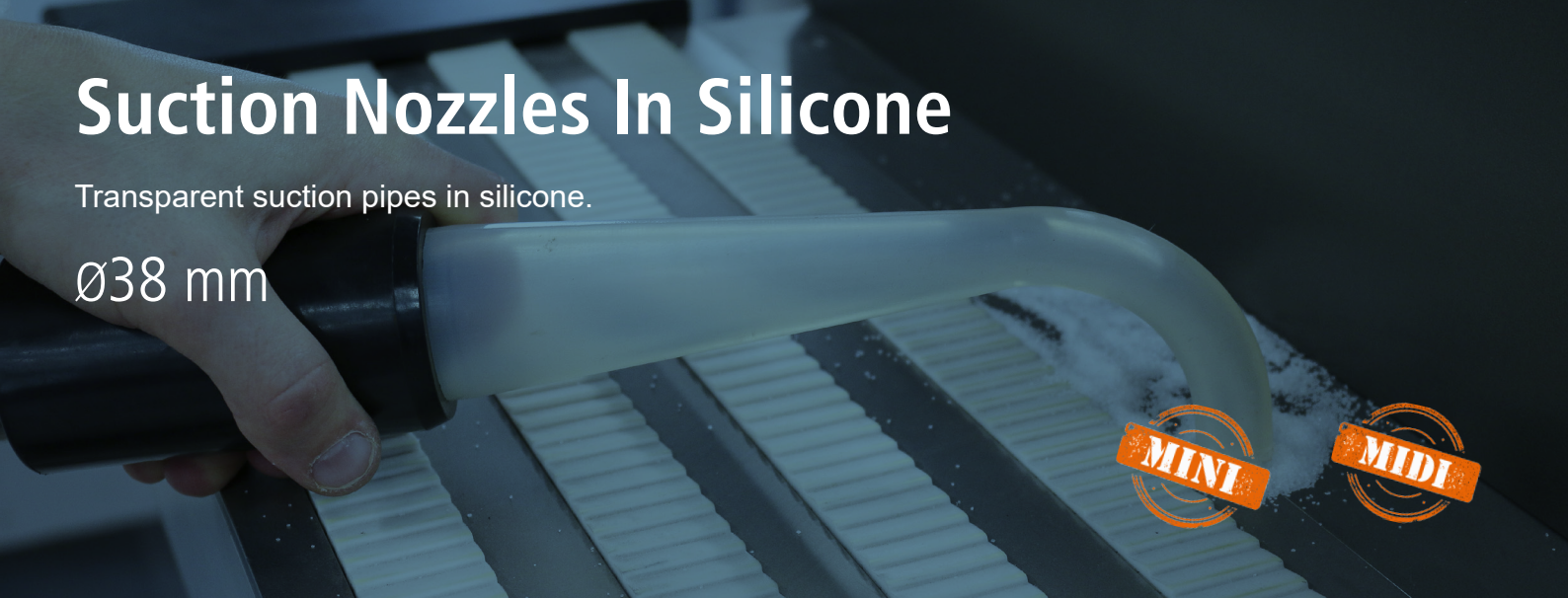
- Part No 7471-01 Red
- Part No 7471-02 Yellow
- Part No 7471-03 Blue
- Part No 7471-04 Green
- Part No 7471-05 White



Suction Nozzles In Silicone

Transparent suction pipes in silicone.

Ø38 mm



Suction nozzle in silicone

Part No 44237



Suction nozzle in silicone

Part No 44236



Flat nozzle in silicone

Part No 44235



Floor nozzle in silicone

Part No 44234



Tapered nozzle in silicone

Part No 44233



Hand pipe in silicone

Part No 44232

Material Transport

Material transport for large amount of material.

Ø50 - Ø76 mm



Bulk nozzle

With air supply for avoidance of downtimes.

L=1200 mm

Ø50 Part No 7295



Complete bulk nozzle

With handle. L=1600 mm

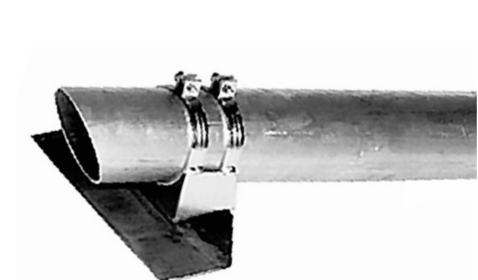
Ø76 Part No 7161



Suction lance in aluminium

L=1600 mm

Ø76 Part No 7162



Holder for scraper

Suitable for Part No 7162

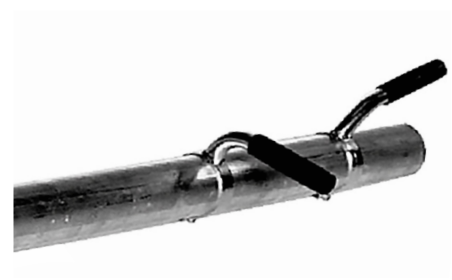
Ø76 Part No 7126



Scraper for suction lance

Suitable for Part No 7162

Ø76 Part No 7127



Handle for scraper suction lance.

Suitable for Part No 7162

Ø76 Part No 7129

Source extraction for smoke, gas and welding fumes

Ø 32 - Ø 50 mm

MINI

MIDI

MAXI

Ø50 Part No 7148



Universal nozzle
With magnet and funnel
L=500 mm
Ø38 Part No 6610



Universal nozzle
With magnet and funnel
L=500 mm
Ø50 Part No 6616
Suitable for Part No 7148



Magnetisc holder
Ø50 Part No 7150



Funnel shaped nozzle,
aluminium
Ø32 Part No 4250



Suction nozzle
Ø50 Part No 4149



Tubular nozzle
L=1500 mm
Ø38 Art.nr. 6098

Universal nozzle
L=1500 mm
Ø38 Part No 6005

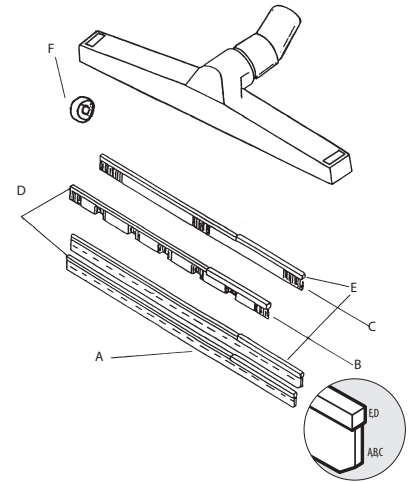


Spare Parts For Floor Tools

Floor tools Ø 38 mm, plastic

Floor tool, Part No	320mm			370mm		
	Part No	7320	7321	Part No	7322	7323
A Rubber wipe B 316/288 (2 pc.)*	7328	x	-	7329	x	-
B Front brush	7225	-	x	7226	-	x
C Rear brush	7326	-	x	7327	-	x
D Brush holder	7215	x	x	7216	x	x
E Brush holder	7324	x	x	7325	x	x
F Wheel, floor tool P	40455	x	x	40455	x	x

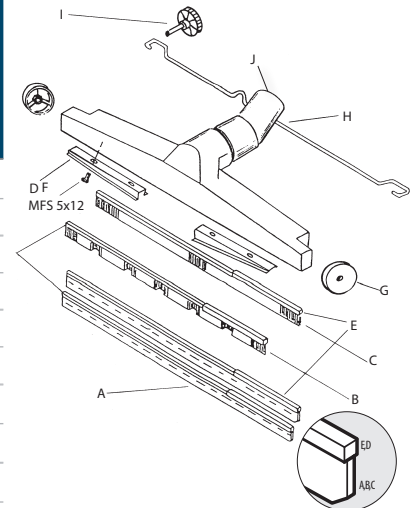
*) Also as a roll 50 m.



Floor tool Ø 38 mm, Ø 50 mm, aluminium

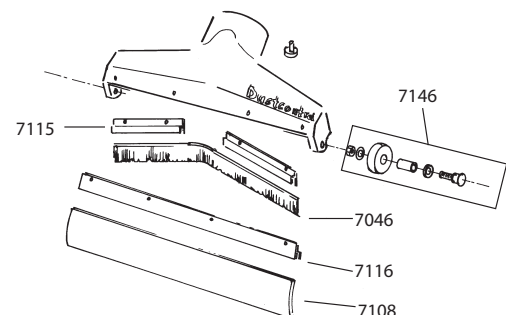
Floor tool, Part No	Ø 38 mm			Ø 50 mm			
	Part No	W=370 mm	W=450 mm	Part No	W=500 mm		
A Rubber wipe B 367/316 (2 pc.)*	7045	x	-	7014	x	7051	x
B Front brush	7222	-	x	7223	-	7224	-
C Rear brush	7225	-	x	7328	-	7227	-
D Brush holder	7216	x	x	7218	x	7219	x
E Brush holder	7215	x	x	7217	x	7218	x
F Lid 370 A	7242	x	x	7243	x	7244	x
G Wheel, floor tool A	7252E	x	x	7252E	x	7252E	x
H Clamp	7239	x	x	7240	x	7241	x
I Adjusting screw	7253	x	x	7253	x	7253	x
J Conical connection, antistatic	7335	x	x	7335	x	7245	x

*) Also as a roll 50 m.



Floor tool Ø 50 mm, aluminium

Floor tool, Part No	W=400 mm	W=450 mm
	Part No	7307
Rubber wipe (2 pc.)	7108	x
Brush B 450/420	7046	x
Brush attachment	7115	x
Brush attachment	7116	x
Wheel set	7146	x



x = standard
- = can be changed

