

Healthy Business

Dustcontrol®

# Industry

Removing dust from the workplace is not just a working environment and health issue, it is also a business issue. The cleaner the working environment, the better the end result.

**We call it Healthy Business.**

# Dustcontrol – Technology for Healthy Business

Removing dust from the workplace is not just a working environment and health issue, it is also a business issue. The cleaner the working environment, the better the end result. We call it **Healthy Business**.

## What we offer

Dustcontrol manufactures mobile dust extractors for industrial and construction use, fixed extraction systems, peripheral equipment and accessories. We help companies all over the world to achieve a cleaner working environment. Our development department and production facilities are located in Sweden.

Using one of our solutions, you can extract dust, fumes, chips, oil spillages and other harmful substances, right at their source. The result is efficient production. A healthy working environment results in less absence due to illness, more efficient production, less downtime and better production quality.

You will find us in many different types of industries where a clean working environment is necessary. Dustcontrol supplies a complete range of products and accessories for small and large companies alike. For example, we supply advanced cleanroom solutions for the pharmaceutical and electronics industries, mobile dust extractors of various sizes for construction and rental companies and central extraction systems for the automotive and newspaper printing industries.

All of our systems are unique and tailored to each individual company's specific requirements.





## Customer Focus

Dustcontrol was founded in 1972, with the idea of manufacturing extraction systems to capture dust and other pollutants at the source. We work closely with our customers, which means that we are always up to date regarding the requirements, regulations and working conditions in different types of workplace. We supply products that meet these ever-changing needs.

But it is not only products that we provide. We also provide the answers to questions such as: How can you capture and extract different kinds of particles and pollutants in the best possible way for your business? How do you deal with waste that can be recycled or reused?



The filter systems in all Dustcontrol mobile dust extractors are built to comply with the the stringent IEC machine classification H.

All our mobile machines are equipped with a fine filter and a HEPA filter (H13) that clean the exhaust air to 99.95 %. These high-efficiency filters also have a long service life, which not only results in cleaner air, but also low filter costs.

With Dustcontrol as your business partner, you will get the answers to these and any other questions that you may have. Whatever the conditions, we develop a source extraction solution that is right for you and your business.



## Service & Expertise

Our sales organisation comprises experienced technicians with specialist skills in their areas of expertise. If you need a mobile solution, we will come to your site and show you how it works. In the case of stationary installations, we can design and dimension the entire system to fully match your needs. We can take care of installation, commissioning and documentation, as well as planning a maintenance and service schedule.

We offer a complete service package, including accessories and spare parts. We manufacture and customise portable dust extractors and source extraction systems with very high levels of filtration, in which we use our proprietary filters that have set the industry standard.

As well as being responsible for delivery and installation, our project managers also train the personnel who will be working with our products and systems. In most countries, we have our own team of qualified installers with in-depth knowledge of our products.

With the help of Dustcontrol, you will achieve both a cleaner working environment and a healthy business.

## Dustcontrol AB

170 employees.

Founded in 1972.

Head office and factory  
in Norsborg, Sweden.

The company is family-owned.

Turnover approx. 28 million Euro.

Subsidiaries in the United Kingdom,  
Germany, Austria, USA and Finland.

Distributors in Europe, Asia, Australia  
and North & South America.



# Our Symbols



The product is also available in ESD version.



The dust extractor includes an eco-green motor.



The dust extractor has a 1-phase power system.



The dust extractor has a 3-phase power system.



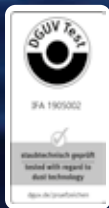
The filter systems in all mobile Dustcontrol dust extractors are built to comply with the EN 60335-2-69, Annex AA, H-class.



This device is H-classified and third party certified by a notified body according to EN 60335-2-69 Annex AA.



**Warning label – Asbestos.** This device is H-classified and third party certified by a notified body according to EN 60335-2-69, Annex AA and TRGS 519.



**Test Certificate – DGUV Test**



We are certified according to ISO14001, ISO 9001 and ISO 45001.

Dustcontrol AB makes every effort to maintain the accuracy and quality of the information provided in this catalogue. However, Dustcontrol AB cannot guarantee and assumes no legal liability or responsibility for the accuracy or completeness of the information provided. The information contained in this catalogue is for general guidance only.

The copyright of all content on this catalogue is owned by Dustcontrol AB. No part of the Dustcontrol AB catalogue may be changed, reproduced, stored in or transmitted on any website or medium without the prior written permission of Dustcontrol AB. Requests to republish any material must be sent to [support@dustcontrol.se](mailto:support@dustcontrol.se) In case of any questions or remarks, feel free to contact us.



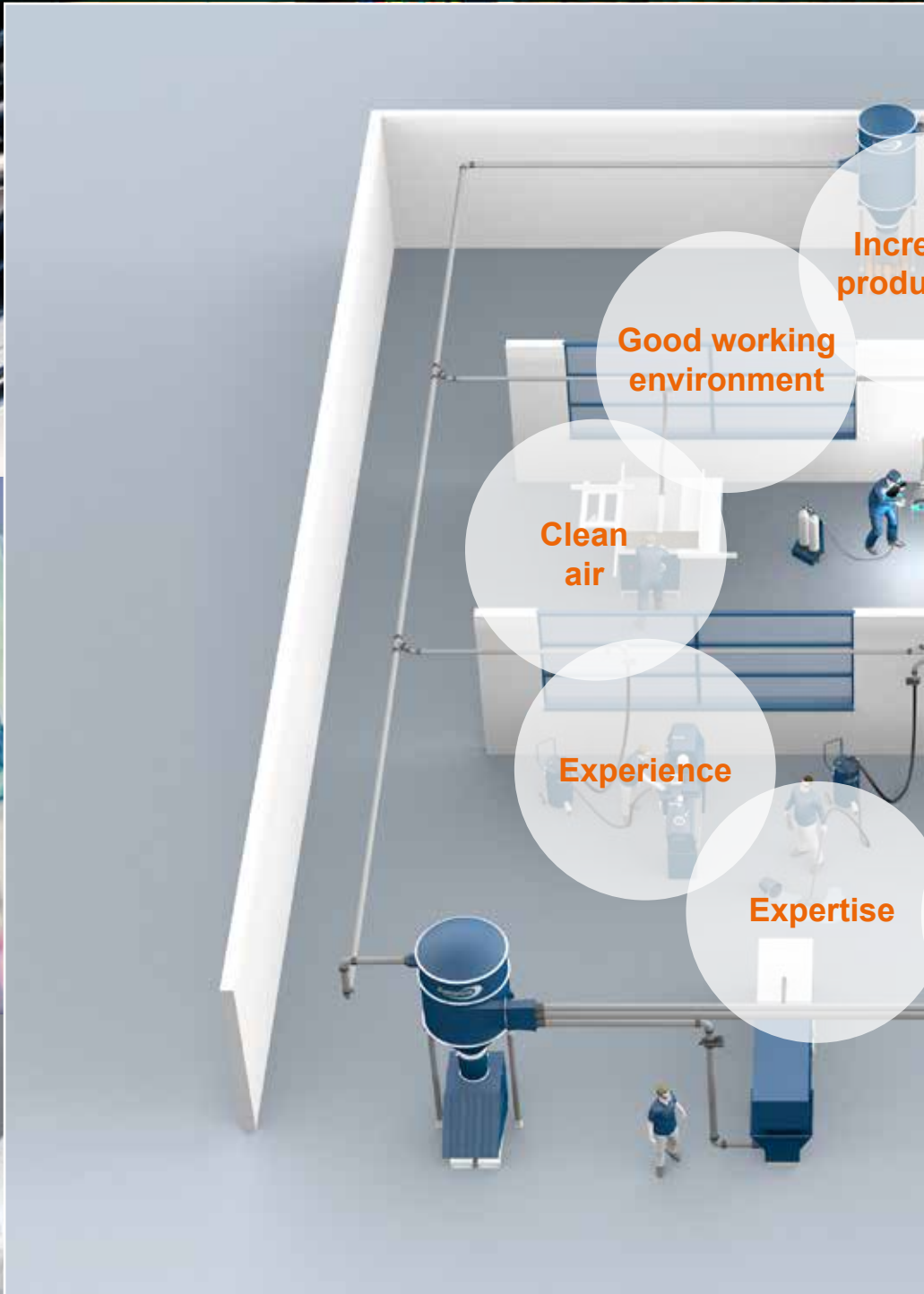
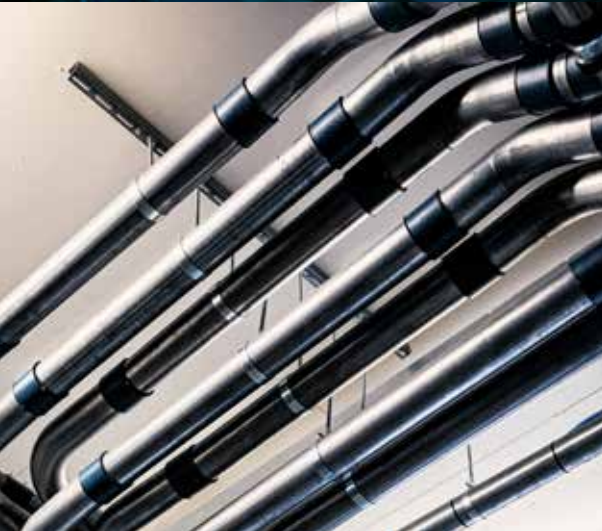
# Index

<b>1</b>	<b>Healthy Business</b>	<b>6-16</b>
<b>2</b>	<b>Stationary Vacuum Systems</b>	<b>17-25</b>
<b>3</b>	<b>Vacuum Producers</b>	<b>26-43</b>
<b>4</b>	<b>Filter Units</b>	<b>44-52</b>
<b>5</b>	<b>Pre-Separators</b>	<b>53 -74</b>
<b>6</b>	<b>Compact Vacuum Systems</b>	<b>75-85</b>
<b>7</b>	<b>Tubing System</b>	<b>86-101</b>
<b>8</b>	<b>Work Station Equipment</b>	<b>102-116</b>
<b>9</b>	<b>Control Systems</b>	<b>117-121</b>
<b>10</b>	<b>Mobile Dust Extractors</b>	<b>123-154</b>
<b>11</b>	<b>Accessories and Consumables</b>	<b>155-188</b>



# Technology for Healthy Business

Let Dustcontrol help you to achieve both a cleaner working environment and a healthy business.





Solutions for a large variety of businesses such as food, pharmaceuticals, manufacturing, aerospace, transit, waste handling, construction, etc.

Increased activity

Efficiency

Time

Profitability

Service

Healthy Business  
**Dustcontrol**

This panel features an aerial view of a factory floor with several workers in blue uniforms. Overlaid on this image are four white circular callouts containing the words: Efficiency, Time, Profitability, and Service. The text 'Increased activity' is positioned to the left of the top callout. The Dustcontrol logo is located in the bottom right corner of this panel.





# Food Industry

## Nutrition

**Food industry has special requirements.** Control of components and equipment used in production needs a special focus on migratory risk, surface finish and often antistatic properties.

Dustcontrol designs and install complete source extraction systems in close cooperation with the customer. Each system is unique and conforms to EU1935/2004 and FDA. Independent test institutes certify a large part of the components.

Our source extraction system can be fully integrated in the production process for optimal recycling or used as a central vacuum cleaning system.

To help the user to separate the cleaning equipment to be used with a certain product, we have a unique colour coding of cleaning accessories.



The combination of colour coding and anti-static attributes help to increase production security, efficiency and health and safety issues.





# Food Industry

## Bakery

---

**Flour dust is a hazardous substance.** Workers in baking related jobs may inhale flour dust when it becomes airborne. Runny nose, runny eyes, wheezing, shortness of breath, sneezing, asthma or cough are some of the health problems which can develop over time. Flour dust can also cause an explosion.

Dustcontrol designs systems for bakeries, using our experience of source extraction in hazardous environments.

A source extraction point is placed at each area where flour is used. In that way the pollution is captured directly at the source instead of going into the air. All equipment and fixtures are frequently cleaned of flour and dust with highly efficient vacuum cleaning accessories.

To further purify the air from health hazardous flour dust, air cleaners (DC AirCube) may be installed as a complement.



# Additive Manufacturing

## 3D-Printing

---

**Additive Manufacturing**, commonly known as 3D-printing produces a lot of residue of metal and plastic powder. Dustcontrol have various safe solutions for extracting particles from the 3D-printers and housekeeping and also solutions to prevent and avoid explosions.









# Shipbuilding and Composite

**Composites have many unique qualities** and are used in an increasing number of industries including automotive, marine, aviation and wind turbine. This increase use of composites and exotic materials has resulted in problems for personnel as well as production itself. Composite dust has a very low density and stays in the air for a long time. It penetrates into the trachea and lungs and promotes allergies, asthma and respiratory ailments. Composite dust accumulates and causes problems in computers and other electronic equipment.

Fixed systems from Dustcontrol are installed and used for cleaning and grinding with hand held power tools with suction casings. Flexibility increases and eliminates the need for dedicated grinding rooms and reduces time and costs for cleaning. It increases productivity by improving the operator's visibility and working conditions are safer.



# Mechanical Industry

The manufacturing industry has many requirements for vacuum cleaning and extraction from the point of production. Large quantities of dust, debris, metal chips and strips can be produced and need to be transported away; sometimes for profitable recycling.

## Hard-metal – Tungsten Carbide

---

**Tungsten carbides have a wide range of applications** in many industry sectors such as metal machining, wear parts for mining and oil industries, metal forming tools, cutting tips for saw blades. Cobalt is used as a binding material when manufacturing hard metals. The material is classified as carcinogenic.

Dustcontrol has extensive experience in lowering the exposure to dust. We install custom made suction casings directly on production machinery, adapt control systems to production processes and apply the most efficient solutions to ATEX/NFPA standards when required.

## Foundry

---

**Dustcontrol's abrasive resistant EPDM tubing system** can handle even high abrasion. Thanks to a radial ridge in the bend, the wearing is distributed over a larger area. The EPDM material has good noise reducing properties.

Dustcontrol has a lot of experience in source extraction in foundries. Hand held tools are equipped with suction casings to collect hazardous gases and scrap materials at source. A pre-separator is used to separate the lubricant from the metal chips from CNC machines. Pure metals can be recycled in the process. The Dustcontrol system is also used for cleaning and material transport.





# Transit

The standard of our passenger transportation vehicles has risen and continues to rise. Public transport should be quick and convenient and passengers expect clean trains and buses. Our modern cleaning technology can be used to make these clean environments.

Vacuum cleaning floors and seats with a highly efficient suction system results in a much cleaner vehicle than with older technology. The vacuum system also takes care of collecting and transporting coarse waste. This leads to more efficient cleaning as every second of the cleaning time is valuable. Needless to say, ease of handling and good cleaning accessories play an important role.



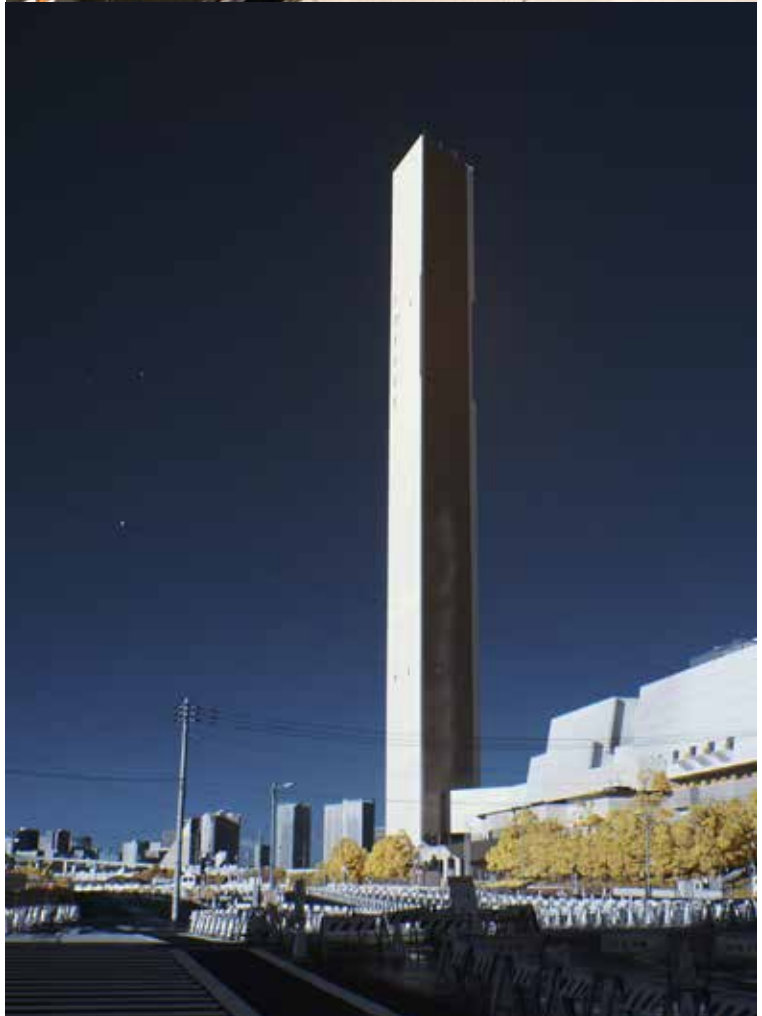
# Waste Handling

Dustcontrol has provided many systems all over the world to filtrate and collect hazardous waste materials and transport them to their designated area. Pre-separators are also used to separate liquid from metals.

## Incineration plant

**Within waste management and incineration facilities** there are several applications areas where modern source extraction and material transport systems can improve the overall operations and lead to cost savings.

A central system delivered by Dustcontrol takes care of the internal environment, mainly cleaning around the furnaces. Activated carbon is also transported and filtered by the system. The installation is designed and installed to comply with the European ATEX directive to minimise the risk of dust explosion.



# Aviation and Automotive Industry



The aviation & automotive industry has several application areas where efficient source extraction and cleanliness is a must: FOD (foreign object debris) control, composite fabrication, wood handling, coating and painting, just to name a few.

Source extraction systems are built using Dustcontrol standard or ATEX/NFPA components, many of them engineered and patented. Suction casings are developed to fit the equipment where dust is created, like grinding, drilling machines, sanders and saws. With a central vacuum system, the dust is collected in a container for easy disposal. Dustcontrol has a very extensive range of products, which provide reliable solutions with long product life and more efficient production.

In addition to offering a dustless environment for such tasks as drilling, sanding and grinding, the extraction system is used for cleaning tasks and extraction of residual materials during riveting and gluing. Also, sealant materials and chromium residual products are captured. The materials that are extracted are aluminium, GLARE (glass reinforced fibre metal laminate), carbon fibre, fibreglass, epoxy, polyester, aluminium alloys and titanium.





# Pharmaceutical Environment

In the pharmaceutical industry it is necessary to protect products from what is commonly called particle contamination. Within the pharmaceutical industry this is important for several reasons. Even particulate that is invisible to the naked eye can carry bacteria. This can impair the transparency of liquids or block capillaries. The solution is to allow the sensitive parts of manufacturing to take place in special environments cleaned of airborne particulate. These clean rooms are graded into different cleanliness classes, depending on the manufacturing requirements.

**Our solution.** The clean room needs an efficient and reliable system for collecting and removing dust and other particulate. Just the presence of a human being in a clean room is enough to free microscopic particulate. Dustcontrol has many years of experience in manufacturing systems built to the high standards required in these clean room environments. The systems are based on proven techniques including source extraction and can be entirely customised according to the client's specifications.

## Complete accessory range

Dustcontrol offers a complete range of different cleaning equipment, hoses, connections, and nozzles which can easily be connected to the system, both in the clean room and other locations.

## About airborne particles

Airborne particulate can be microscopic and still carry bacteria. Working in a clean room necessitates special equipment, which has to be antistatic and must not release dust particles.



# Nursing Care Homes

Filtering bacteria, virus, pollen and dust through a HEPA H13 filtered air cleaner, reduces the risk of respiratory diseases. Our air cleaners are equipped with a HEPA H13 filter and a Pre-filter and is the most efficient solution for clean air.



# Construction and Rental Industry

**Dustcontrol has been designing systems** for source extraction of hazardous dust such as asbestos, silica dust and quartz within the construction industry for nearly 50 years. In keeping up with increased demands for cleanliness and efficiency, the interest for source extraction has been constantly growing.

Dustcontrol solutions minimise airborne dust, creating major health and safety advantages. They also lead to increased

productivity and massive reduction in clean-up time and expense; thus greater customer satisfaction and minimum interruption. All our portable units are equipped with a fine filter and HEPA H13 filter as standard.

The Dustcontrol construction units are a very popular choice for the Rental Industry due to their quality, long service life, availability of spare parts and wide range of accessories.



Visit [www.dustcontrol.com](http://www.dustcontrol.com) for your Construction Catalogue!



Healthy Business

Dustcontrol®

# Stationary Vacuum Systems

Substantial savings can be realised by installing a Dustcontrol system. Capture of the dust at source contributes to an improved working environment, higher productivity – shorter clean-up, cleaner process and improved product quality.



# About Stationary Vacuum Systems

Dustcontrol's systems are used for three main purposes – source extraction, cleaning and material transportation. These three functions are often combined in a single extraction system.

Each system is unique and adapted to the production process any special requirements of energy saving, conformity to ATEX/NFPA directives, health and safety legislations.

It is helpful to view the extraction system as a supply system just like those for electricity, compressed air, etc. In some cases it can serve to solve major problems, but even if this is not the case, the high-efficiency cleaning equipment, the ability to collect and transport material away and the ability to capture pollutants right at the source will improve the day-to-day operations, year in and year out.







# The Complete System for Healthy Business

## 1 Vacuum Producers

The vacuum producer is the heart of the system. Here the vacuum is created that drives the system. In Dustcontrol extraction systems, the vacuum level is generally from 6–40 kPa. Our normal source extraction and vacuum cleaning systems use turbopumps. This device has an ideally suited characteristic capacity for this type of system. Vacuum level increases as more resistance is presented, an important quality in minimising the possibility of blockages in the tubing system.

For applications involving fume and light dust, such as paper, radial blowers are used. These have larger air flows and operate at a lower, relatively constant vacuum level.

Our turbopumps and radial blowers have very high quality built-in silencing, see technical specifications.

## 2 Filter Units

An extraction system should always be equipped with a filter unit. Dustcontrol filter units separate coarse material in the cyclone body of the unit and fine dust in an internal arrangement of conical pleated cartridge filters. Pleated filters have very high filter areas in relation to their physical size. The filter units therefore have high capacity while maintaining compact overall dimensions. Filters are cleaned with reverse pulse which results in very effective cleaning, long filter life and low maintenance. Normally the filter units are equipped with a plastic bag for collection of the extracted material but other types of discharge arrangements can also be installed.

## 3 Pre-Separators

Pre-separators can be used in all applications where the extracted material is coarse or voluminous. These can be placed in the actual workplace for separate handling or recovery of the extracted material, or centrally.

Pre-separators separate material from the air flow using cyclonic action or with inertial separation. Inertial separators are generally configured as containers with the inlet and outlet in the same wall of the container. When the air flow changes direction abruptly, separation occurs for the particles with higher relative mass. When pre-separation is used to accommodate higher material volumes it is also important to consider the type of material discharge to be used. Dustcontrol offers a range of different standard options including; screw compaction, airlocks or container collection.

## 4 Tubing System

The tubing system transports the material from the point of collection to the central unit. Dust is generally abrasive, some more than others, therefore the standard material thickness of the tubing system is 1.5 mm. Applications with fume and light dust use reinforced spiral duct. Stainless tubing systems and extra abrasion resistant fittings are available.

Dustcontrol has a very comprehensive assortment of tubing fittings and installation hardware. This gives greater flexibility in design and installation of our tubing systems. Our mechanical jointing system makes alterations and additions very easy to carry out. Some cones, branch pipes and bends are available in EPDM and NBR-rubber, which are abrasive resistant and noise reducing.

## 5 Work Place Equipment

An extraction system is sized for only those outlets which are to be used simultaneously. This is in order to maximise efficiency and minimise the size of the central unit. All outlets must have some type of closure, either a flap valve or shutter valve. These can be manually actuated, such as flap valves or manual shutter valves, or automatically controlled for actuation only when extraction is required.

The Flexpipe can be used for fume extraction. High flexibility and small diameter allow it to be placed very close to the fume source. Overhead suspension arrangements such as swing-arms and hose reels can increase the usefulness of the system, increase ergonomics and minimise potential trip hazards from hose left on the floor.

When large volumes of material are to be introduced into the system, stainless floor funnels can be used from which the material is then extracted.

## 6 Accessories

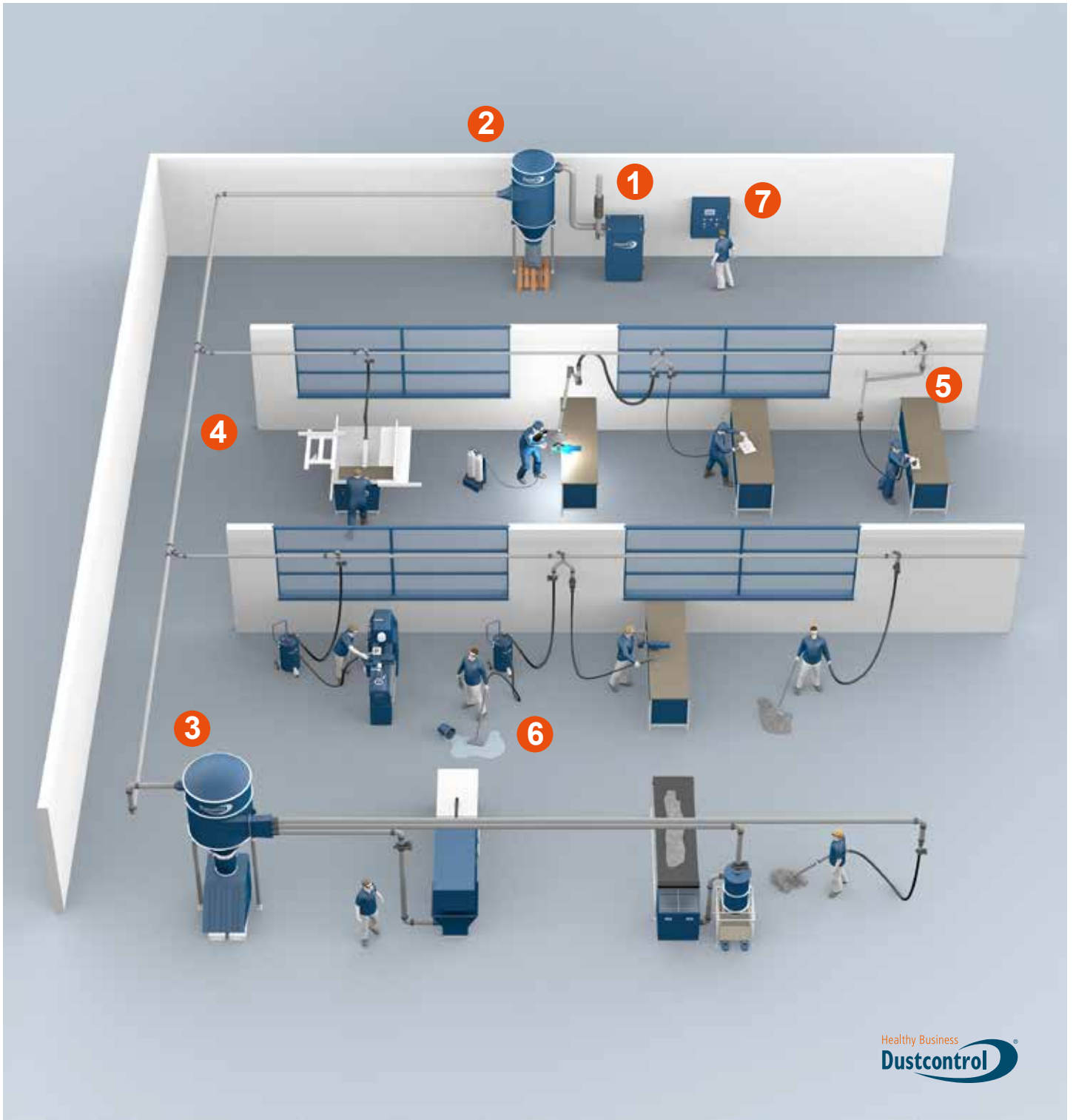
A hose must have many qualities, the foremost for the operator however is flexibility. It should also be tough enough to withstand the abrasion created when transporting the extracted material. Hose selection should include consideration for abrasion, chemical and heat resistance as well as conductivity of static electricity.

Dustcontrol has a comprehensive assortment of hose types, diameters and hose connections. Cleaning tools, suction casings and special nozzles are those components that are actually used to capture the dust. The design and effectiveness of these will determine the efficiency and acceptance of the entire system. This demands a varied and complete assortment of especially designed products. Dustcontrol has that. If a standard product does not exist, we have the capacity to design and manufacture it.

## 7 Control Systems

Motor starters and system control panels control the operation of the system, operation of the vacuum producers and cleaning of the filter. A variety of other control functions can be installed as required. Even with a rather basic control system, intelligent features can be included to clear coarse material in the main tubing runs or control vacuum production and therefore energy consumption according to actual requirements.





To attain the desired efficiency and benefits with an extraction system the system must be complete; from the suction casing to the vacuum producer to the control system. All the components of the system are equally important.



# The Complete System for Food Industry by Dustcontrol



## Centralised Vacuum Systems

We have a complete solution for centralised vacuum systems for food industry. A flexible system where all parts are approved for food contact. Hygienic design. Easy to clean. Our source extraction systems can be fully integrated into the production process for recycling or used as a centralised vacuum cleaning system.

We call it Healthy Business.



### Flap Valve

- Colour coded
- Food safety and FDA compliant
- Autoclavable
- Metal detectable
- ESD, antistatic



### Tubing System

- Stainless steel in quality 1.4404
- Alterations and additions are easy to implement



### Suction Brushes, Flat Nozzles and Hose Connectors

with unique combination of features

- Colour coded
- Food safety and FDA compliant
- Autoclavable
- Metal detectable
- ESD, antistatic







# Visit our Food Industry website

Use the **QR-code** to access our website  
Dustcontrolfood.com for more info about our  
solutions for the Food Industry.



## Joints

- Hygienic design, easy to clean
- Food safety and FDA compliant
- Easy to mount



## Automatic Shutter Valve

- Hygienic design, easy to clean
- Food safety and FDA compliant
- ESD, antistatic



## Pre-Separators

- Efficient reusage of material
- All material approved for food contact
- Stainless steel in quality 1.4404
- Air flow  $\leq 1000$  m<sup>3</sup>/h



## Filter Unit

- All material approved for food contact
- Stainless steel in quality 1.4301
- Air flow  $\leq 1000$  m<sup>3</sup>/h



# Equipment for Potentially Explosive Atmospheres

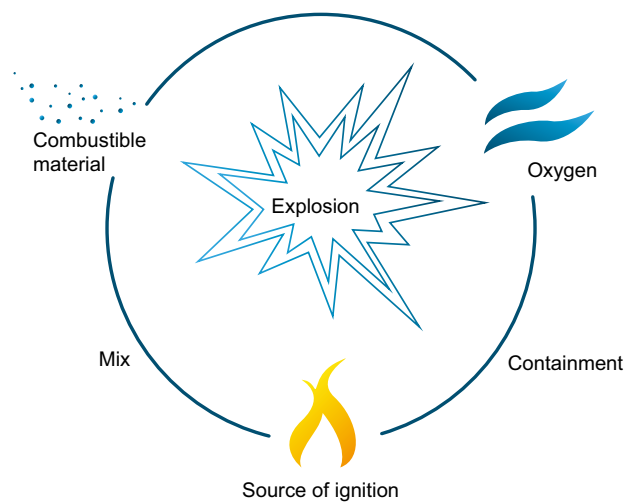


## ATEX/NFPA-Systems

Dust explosions occur when combustible dust is mixed with air or oxygen and is ignited in an enclosed space. For this to happen, the dust must occur in sufficiently large concentrations. Almost all substances that arise as a result of, or that are used during industrial manufacturing, are combustible and can cause explosions under certain conditions. Examples of such substances include coal, flour, cereals, wood, cotton and certain plastics. Aluminium and magnesium dusts are also particularly liable to explode.

ATEX derives from the French “ATmosphères Explosibles” and refers to atmospheres that are potentially explosive. EU Directive 1999/92/EU covers the health and safety of workers in such environments.

All equipment marketed in the EU for use in explosive atmospheres with “inherent ignition sources” must fulfil the requirements of directive 2014/34/EU. Dustcontrol supplies filter units designed to confirm with Category 3 according to ATEX Directives 2014/34/EU.



Visit [www.dustcontrol.com](http://www.dustcontrol.com) for a complete **ATEX System Guide**. Search for ATEX.



# Energy Savings with DC Green System

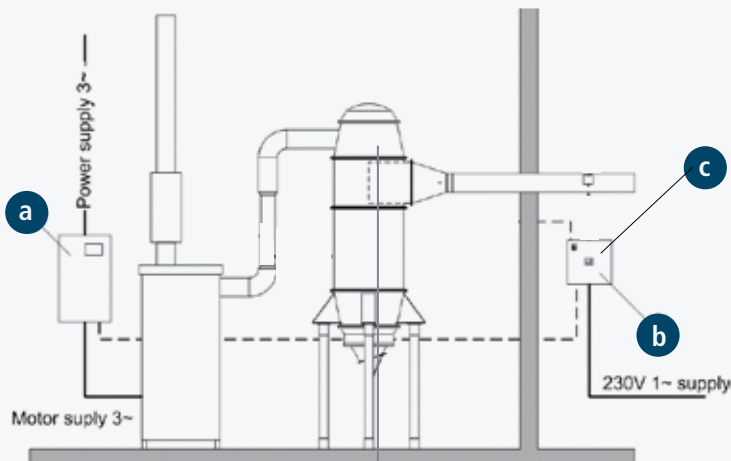
Dustcontrol's DC Green System is a system for the control of vacuum producers that helps to save energy. The DC Green System together with our vacuum producers (turbo pumps), can offer you an energy saving with existing or new Dustcontrol vacuum producers of between 40 and 90 percent.

## DC Green System



- Lower power consumption
- No micro-switches
- Higher peak performance
- Optimum suction performance at all times
- Increased lifetime of the vacuum system
- Efficient filter cleaning during running
- Decreased sound level

### DC Green System Package consisting of:



- a** 3-phase frequency converter for the pump.
- b** Sensor monitoring the system. 230V control panel with operator's display, PLC and necessary control connections.
- c** Sensors controlling the system.

Learn more about our Green System.  
Visit [www.dustcontrol.com](http://www.dustcontrol.com)

Healthy Business

**Dustcontrol**

®

Dustcontrol

4635

715A

# Vacuum Producers

The vacuum producer is the heart of the system.  
Here the negative pressure is created that drives the system.



# About Vacuum Producers

## The heart of the system

The vacuum producer is the heart of the system. Here, the negative pressure is created that drives the system. In Dustcontrol extraction systems, the vacuum level is generally from 6–40 kPa.

Our normal source extraction and vacuum cleaning systems use turbopumps. This device has an ideally suited characteristic capacity for this type of system. Vacuum level increases as more resistance is presented, an important quality in minimising the possibility of blockages in the tubing system. For applications involving fume and light dust, such as paper, radial blowers are used. These have larger air flows and operate at a lower, relatively constant vacuum level. Our turbopumps and radial blowers have very high quality silencing, see technical specifications. All standard vacuum producers can be used for ATEX applications, provided that the vacuum producer is placed outside an ATEX zone.

## Turbopumps

Dustcontrol's turbopumps are regenerative blowers. As the impeller rotates, centrifugal force moves the air from the root of the blade to the tip. Leaving the tip, air flows around the contour of the housing and is picked up at the root of the succeeding blade. The "closed" area of the housing between the outlet and inlet, forces the air to atmosphere. The many blades on the impeller create

increasing stages of pressure generation and result in a very stable pressure differential capability. This pressure generation causes heat to be generated naturally which dissipates in the air flow and through the blower housing. Noise reduction, particularly on the larger units is very effective. When two or more units are installed in parallel, they can be operated on demand for maximum efficiency and minimum energy consumption.

## Radial Blowers

Dustcontrol fans are radial blowers, air is introduced at the centre of the fan wheel and forced outward with centrifugal force toward the fan housing. These fans can be operated fully restricted in a "free-wheeling" condition without adverse effect and can therefore be operated without vacuum relief valves. The fans are designed for pressure and are overloading type units. They cannot be operated without being connected to the restriction of a tubing system. Operation above their maximum rated flow will result in overloading and the motor protection will trip out.

To limit the power surge at start-up, install a shutter valve on the inlet which should be closed when the fan starts.

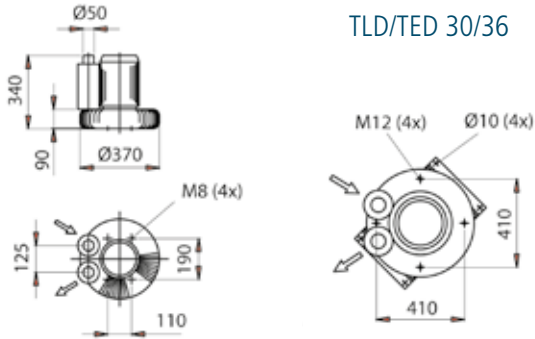
Dustcontrol's radial fans meet the ErP directive 2009/125/EC. The ErP, Energy related products directive 2009/125/EC aims to lower the energy consumption for fans. Commission Regulation (EU) No 327/2011 states how to implement this directive. The efficiency requirements affect Dustcontrol's RAF-range.



## Vacuum Producers

# Turbopumps Direct driven

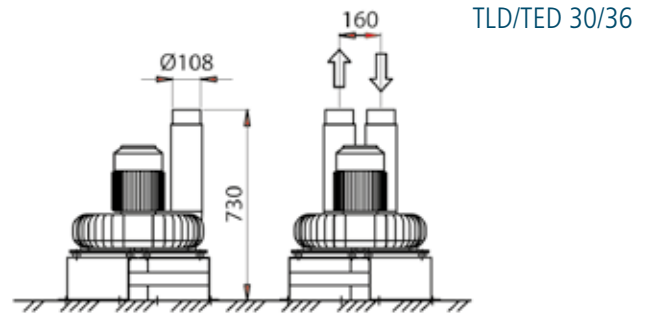
Direct driven units are extremely reliable and have low service requirements. To ensure constant pressure and that cooling air is available to the pump when all outlets are closed, the tubing system should be equipped with a vacuum relief valve.



TLD/TED 30/36

## TLD/TED 30/36 3-phase

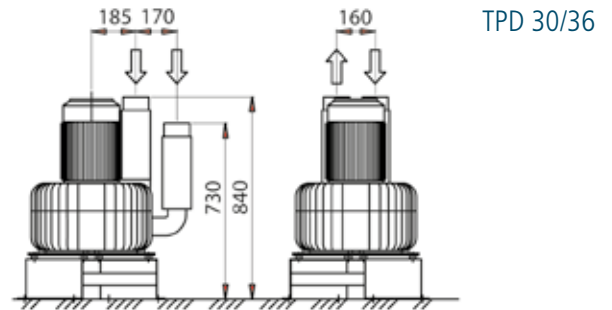
Turbopumps TLD 30/36 and TED 30/36 are direct driven single stage units.



TLD/TED 30/36

## TPD 30/36 3-phase

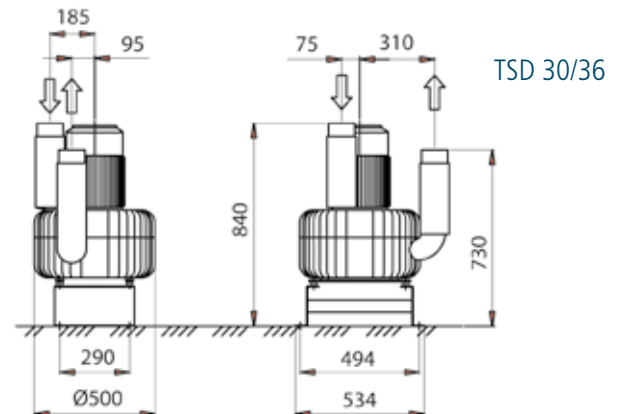
Turbopump TPD 30/36 is a direct driven twin impeller parallel series connected unit.



TPD 30/36

## TSD 30/36 3-phase

Turbopumps TSD 30/36 is a direct driven twin impeller series connected unit. This is used in demanding applications where high vacuum levels are required.



TSD 30/36



## Vacuum Producers

# Turbopumps Direct driven

TECHNICAL DATA	TLD 30	TLD 36	TED 30	TED 36	TPD 30	TSD 30	TSD 36	TPD 36
Power supply [Hz]	50	60	50	60	50	50	60	60
Pump [rpm]	3000	3600	3000	3600	3000	3000	3600	3600
Weight [kg/lb]	30/66	30/66	65/143	65/143	90/198	90/198	110/242	110/242
Max dP [kPa]	20	22*	23*	24*	21*	40	43	20
Nominal Pressure [kPa]	18	20	18	20	18	30	32	17
Flow max [m <sup>3</sup> /h/cfm]	260/153	300/176.6	450/265	600/353	900/528	450/265	560/329.6	1050/618
Sound Level [dB(A)]	75	75	75	75	75	75	75	75
Power [kW/hp]	2.2 kW	4 hp	5.5 kW	10 hp	11 kW	11 kW	15 hp	15 hp
Lubrication interval [h]	1000	1000	1000	1000	1500	1500	1500	1500
Inlet Ø [mm/in]	50/2	50/2	108/4.25	108/4.25	108/4.25	108/4.25	108/4.25	108/4.25
Outlet Ø [mm/in]	50/2	50/2	108/4.25	108/4.25	108/4.25	108/4.25	108/4.25	108/4.25

\*1) Standard DC Green System max 22 kPa.

MODEL (Part No)	TLD 30	TLD 36	TED 30	TED 36	TPD 30	TSD 30	TSD 36	TPD 36
230/400V /50 Hz	4322							
230V /50 Hz			4326		4910	4907		
400V /50 Hz			4126		4911	4908		
460V /60 Hz		419006		419306			479700	488100
600V /60 Hz		419004		419101			4615	



### Service Tip

These direct driven units are extremely reliable and have low maintenance requirements. Always change the O-ring when replacing the outboard bearing in the TSD and TPD pump. Also change the thermoprotector if there is one installed.

400 g Grease Cartridge for Dustcontrol Turbopumps, Part No 9928.



## Vacuum Producers

# Turbopumps Direct driven



### Accessories (Part No)

- 3037 Bracket 500 mm. For wall installation of TLD 30/36
- 4477 Pump Chassis
- 4942 Silencer 100 300/200
- 3195 Silencer 80300/180. Silencing of 50 mm vacuum valve
- 8253 Vacuum Relief Valve 50 mm. Used with TLD 30/36
- 8001 Vacuum Relief Valve 76 mm. Used with TED 30/36 and TPD 30/36
  
- 40595 Cooling air inlet with silencer for TSD 30/36
- 42297 Back Flow Valve Ø108
- 42988 Silencing Cover for pump 3 kW/4 hp
- 43944 Silencing Cover for Pump 2.2 kW
- 40697 Silencing Cover for Pump 5.5 kW
- 40698 Silencing Cover for Pump 9.2 kW

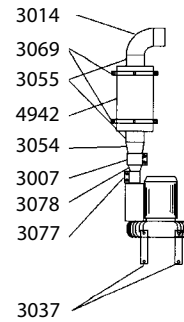
The vacuum relief valve is installed on the tubing system (inlet side) on a branch tube. This delivers cooling air to the turbopump and can be adjusted for the desired vacuum level in the system.

The back flow valve is installed when two or more units are parallel.

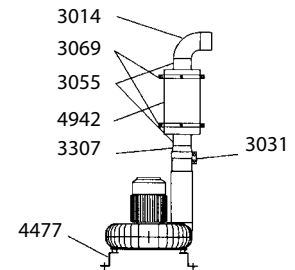
The silencing covers will reduce the soundlevel by 4 dB.

## Installation Example, Silencers

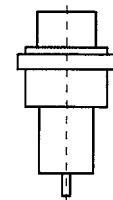
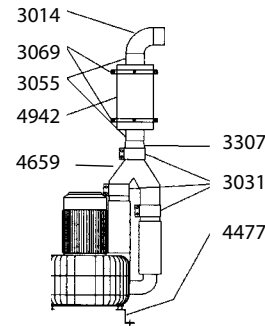
### TLD 30/36



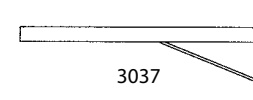
### TED 30/36 TSD 30/36



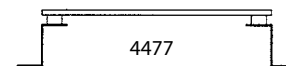
### TPD 30/36



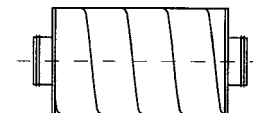
8001/8253



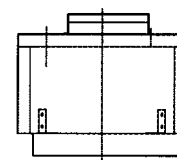
3037



4477



4942/3195



42988  
43944  
40697  
40698



## Vacuum Producers

# Turbopumps Belt driven

## TPR

---

Turbopumps with TPR designation are parallel connected twin impeller belt driven units. Cooling air is introduced into the unit through an adjustable vacuum relief valve. The vacuum pressure in the system can be held constant when different outlets are opened. The turbopumps are equipped with thermal overload protection on the outboard bearing which will trip out when bearing temperature becomes excessive. A back flow valve is built into the unit on the inlet side.



## TSR

---

Turbopumps with TSR designation are series connected two stage belt driven units. Cooling air is introduced into the pump through a slot between the two stages.

In this way the second stage cools the first stage indirectly, allowing the pump to run at extremely high vacuum and low air flow without overheating. The turbopumps are equipped with thermal overload protection on the outboard bearing which will trip out when bearing temperature becomes excessive.

A back flow valve must be additionally installed on the inlet side of the unit when several units are to be installed in parallel.



# Turbopumps

TECHNICAL DATA	TPR 35	TPR 40	TPR 43	TSR 43	TPR 47	TSR 47/48	TPR 50	TSR 50/52	TPR 53
Pump [rpm]	3500	4000	4300	4300	4700	4700	5000	5000	5300
Weight [kg/lb]	400/882	400/882	430/948	430/948	450/992	450/992	530/1168	530/1168	530/1168
Max dP [kPa]	22	26	28	46	2	50	30	54	30*
Nominal Pressure [kPa]	20	20	20	35	21	37	23	40	23
Flow max [m <sup>3</sup> /h]	1000	1200	1400	650	1500	700	1650	800	1800
Sound Level of unit 1 [dB(a)]	66	66	66	66	66	66	66	66	66
Inlet/Ø [mm/in]	160	160/	160	108	160	108	160	108	160
Outlet Ø [mm/in]	160	160	160	108	160	108	160	108	160

MODEL (Part No)	TPR 35	TPR 40	TPR 43	TSR 43	TPR 47	TSR 47/48	TPR 50	TSR 50/52	TPR 53
230V /50Hz		106802/15 kW	107202/18.5 kW	107252/18.5 kW	107702/22 kW	107752/22 kW	109202/30 kW	109252/30 kW	109302/37 kW
400V /50Hz	106600/11kW	106800/15 kW	107200/18.5 kW	107250/18.5 kW	107700/22 kW	107750/22 kW	109200/30 kW	109250/30 kW	109300/37 kW
460V /60Hz		106805/20 hp	107207/25 hp	107257/25 hp	107707/30 hp	107757/30 hp	109207/40 hp	109257/40 hp	109307/50 hp
600V /60Hz		106806/20 hp	107206/25 hp	107256/25 hp	107706/30 hp	107756/30 hp	109206/40 hp	109256/40 hp	109306/50 hp

LUBRICATION INTERVAL Δ	TPR 35	TPR 40	TPR 43	TSR 43	TPR 47	TSR 47/48	TPR 50/53	TSR 50/52
22 kPa	1500 h	1500 h	1500 h	-	1500 h	-	1500 h	-
25 kPa	750 h	750 h	1500 h	-	1500 h	-	1500 h	-
28 kPa	-	-	1000 h	-	1000 h	-	1000 h	-
30 kPa	-	-	-	1500 h	-	1500 h	750 h	1500 h
40 kPa	-	-	-	1000 h	-	1000 h	-	1000 h

## Vacuum Relief Valve

The vacuum relief valve bleeds in air at the pre-set relief level and can be installed at the outermost point on a tubing system. The valve will introduce transport air into the system when the pressure in the system exceeds the setting (18-29 kPa) of the vacuum relief valve.

Part No	Description
8253	Vacuum Relief Valve Ø50
8001	Vacuum Relief Valve Ø76
8001+3306	Vacuum Relief Valve Ø108



### Accessories (Part No)

- 4942 Silencer Ø100 300/200
- 42005 Tool Cage for vacuum valve



8001



8253



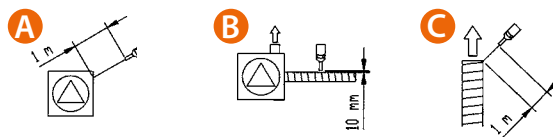
3306





# Vacuum Producers

## Turbopumps Belt driven

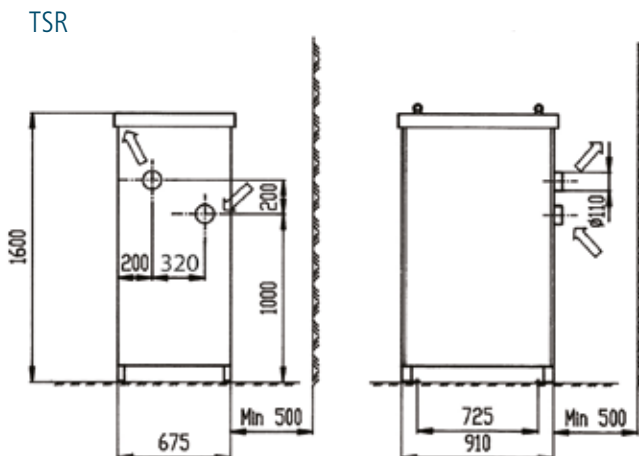
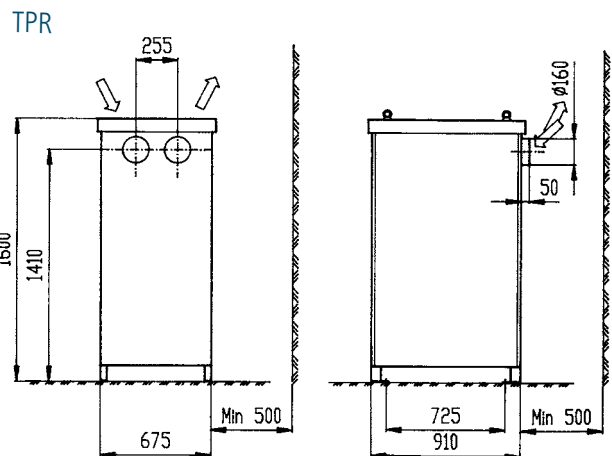


### + Accessories Turbopumps (Part No)

- 3182 Silencer Ø160 L=1200, Ø355
- 3183 Silencer Ø160L=600, Ø355
- 3184 Silencer Ø160L=600, Ø260
- 8051 Back Flow Valve 160 mm
- 9928 400 g Grease Cartridge for Dustcontrol Turbopumps.

Fan Silencers for Turbopumps	Sound level [dB(A)]		
	A	B	C
	96	100	102
<p><b>Silencer</b></p> <p>Ø160x600x260 (Part No 3184)                      Ø160x600x355 (Part No 3183)</p>	75	78	81
<p>No 3182)</p>	68	72	71

### Dimensions, Installation Example





# Radial Blowers

## RAF 500 3-phase

The RAF 500 is ideal for small fume extraction systems, for example with Flexpipes. The blower is a direct driven unit with minimal service requirements.

### RAF 500 without Silencing Enclosure (Part No)

111900	2.2 kW	400V /50Hz
111904	4 hp	460V /60Hz
111906	4 hp	600V /60 Hz

### RAF 500 with Silencing Enclosure (Part No)

111910	2.2 kW	400V /50Hz
111916	4 hp	460V /60Hz

## RAF 500S 3-phase

The RAF 500S is for application in extraction systems with lighter dust. It is a twin wheel, series connected unit. The unit is direct driven and has minimal service requirements.

### RAF 500 without Silencing Enclosure (Part No)

111800	5.5 kW	400V /50 Hz
111804	10 hp	460V /60 Hz

### RAF 500 with Silencing Enclosure (Part No)

111810	5.5 kW	400V /50Hz
111816	10 hp	460V /60Hz



### Accessories RAF 500 and RAF 500S (Part No)

4476	Silencer 100, 600/200 mm
42297	Back Flow Valve 108 mm
808404	Shutter valve auto 108 mm
8088	Solenoid valve 24 V AC
8026	Solenoid valve 24 V DC

Back flow valve is installed on the inlet side of the fan when two or more units are parallel installed. A closed shutter valve on the inlet at start-up decreases the power surge.

TECHNICAL DATA	RAF 500	RAF 500S
Motor [kW/hp]	2.2/4	5.5/10
Pump [rpm]	3000	3000
Weight [kg/lb]	39/86	150/331
Max dp [kPa]	5.6	9.5
Flow max [m³/h]	900	1100
Sound Level*		
- without silencing enclosure [dB(A)]	79	79
- with silencing enclosure [dB(A)]	66	66

\*) with exhaust silencer, 1 m

# Radial Blowers



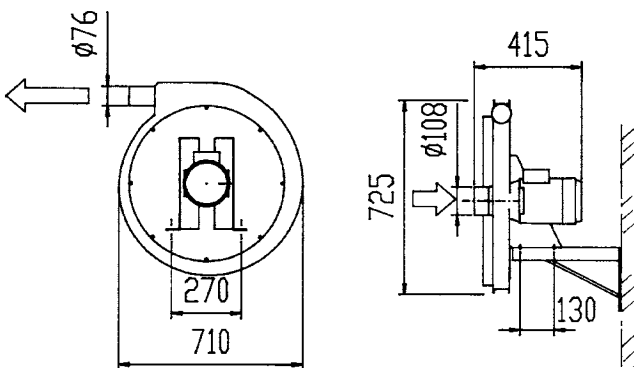
RAF 500



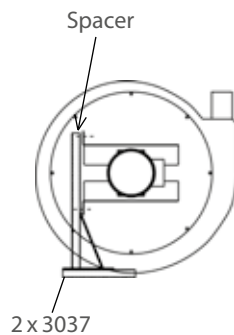
RAF 500S

## Dimensions RAF 500 without Silencing Enclosure

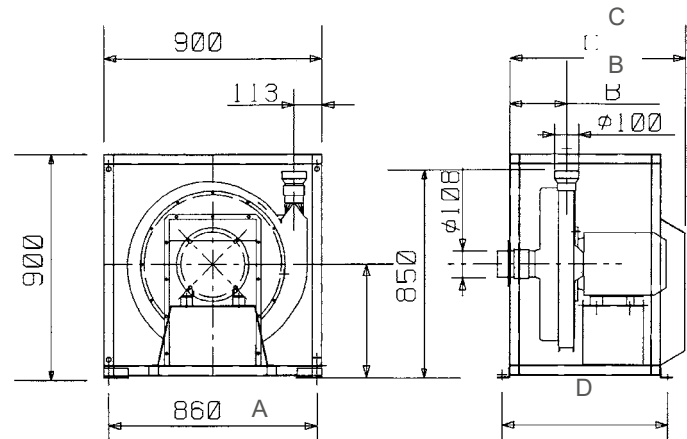
Wall installation



Floor installation



## Dimensions RAF 500 / RAF 500S with Silencing Enclosure



## Dimensions with Silencing Enclosure

MODEL	A	B	C	D
RAF 500	450	157	550	510
RAF 500S	460	325	725	685



## Vacuum Producers

# Radial Blowers

The blowers are equipped with vibration isolation and a silenced enclosure and should always be equipped with an exhaust silencer. The models are direct driven and have minimal service requirements (lubrication interval 10000 hours).



## RAF 1600/2500

RAF 1600/2500 are single stage direct driven radial blowers for less demanding pressure applications such as fume extraction.

### Power Consumption

### RAF 1600

### RAF 2500

MODEL	Hz	Part No	kW/hp	Part No	kW/hp
400V	50	112000	7.5 kW	112100	15 kW
230V	50	112002	7.5 kW	112102	15 kW
460V	60	112007	10 hp	112107	20 hp
600V	60	112006	10 hp	112106	20 hp

## RAF 2501

The RAF 2501 is applied in extraction systems requiring large air flows for lighter types of dust and cleaning. Pressure generation is achieved through two series connected stages.

### Power Consumption

### RAF 2501

MODEL	Hz	Part No	Motor
400V	50	112200	30 kW
230V	50	112202	30 kW
460V	60	112204	40 hp
600V	60	112206	40 hp

## RAF 2502

The RAF 2502 is applied in extraction systems requiring large air flows such as systems for fume extraction. RAF 2502 work with two parallel impellers.

### Power Consumption

### RAF 2502

MODEL	Hz	Part No	Motor
400V	50	112300	30 kW
230V	50	112302	30 kW
460V	60	112304	40 hp
600V	60	112306	40 hp

## RAF 2503

Pressure generation is achieved through two series connected stages.

### Power Consumption

### RAF 2503

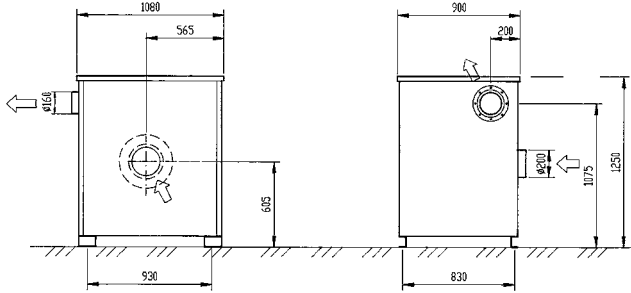
MODEL	Hz	Part No	Motor
400V	50	112400	30 kW

# Radial Blowers

TECHNICAL DATA	RAF 1600		RAF 2500		RAF 2501		RAF 2502		RAF 2503
	50 Hz	60 Hz	50 Hz	60 Hz	50 Hz	60 Hz	50 Hz	60 Hz	50 Hz
Pump [rpm]	3000	3600	3000	3600	3000	3600	3000	3600	3000
Weight ca [kg/lb]	290/639	290/639	330/728	3300/728	440/970	440/970	430/948	430/948	450/992
Max dp [kPa]	7.7	7.7	9.3	9.3	17	17	9.4	9.4	20
Flow max [m³/h]	2000	2000	3500	3500	3300	3300	6200	6200	2800
Sound Level* [dB(A)]	68	68	70	70	74	74	74	74	74
Inlet Ø [mm]	200	200	200	200	200	200	2x200		200
Outlet Ø [mm]	160	160	160	160	160	160	2x160		160

\* with exhaust silencer, 1 m

## Dimensions RAF 1600 / 2500



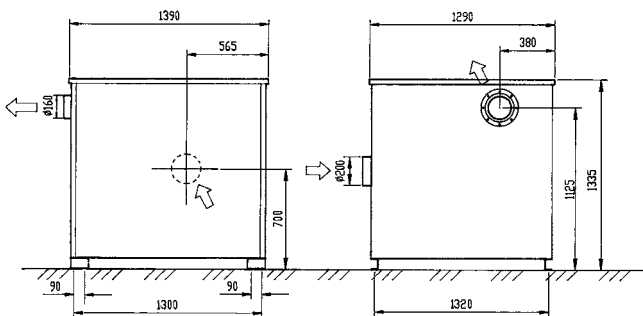
## Accessories (Part No)

- 8051 Back Flow Valve 160 mm
- 807500 Shutter valve auto 200 mm \*
- 8088 Solenoid valve 24 VAC
- 8026 Solenoid valve 24 VDC

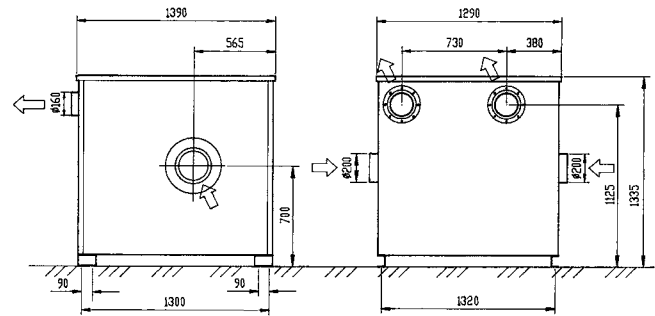
A closed shutter valve on the inlet at start-up decreases the power surge.

\* Note: Shutter valve Ø200/Ø250 only for single step fans (10 kPa).

## Dimensions RAF 2501 / RAF 2503



## Dimensions RAF 2502



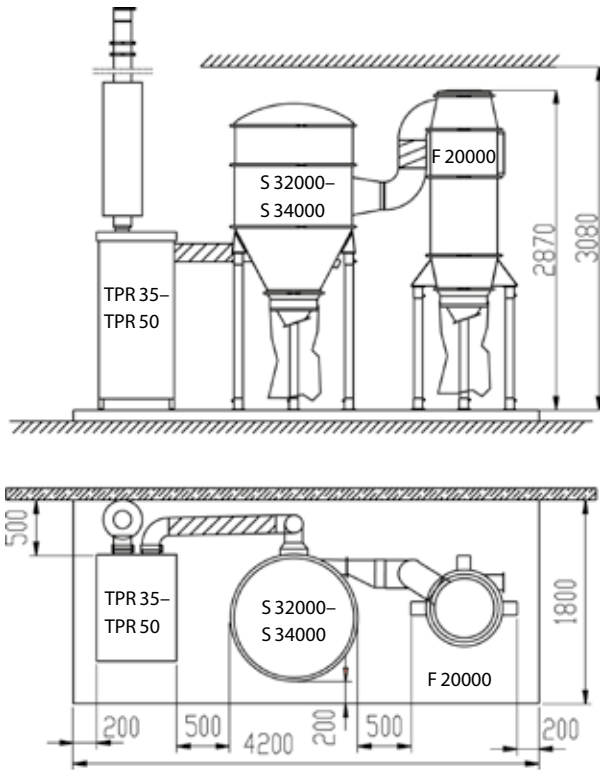


## Vacuum Producers

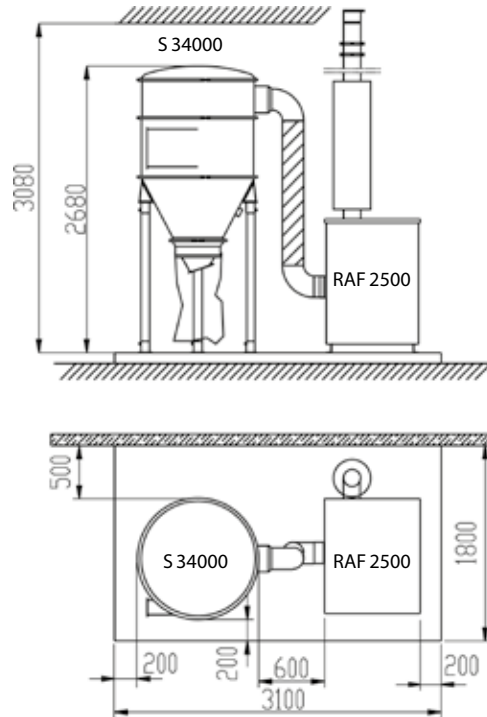
# Radial Blowers

Dimensions, Installation Example

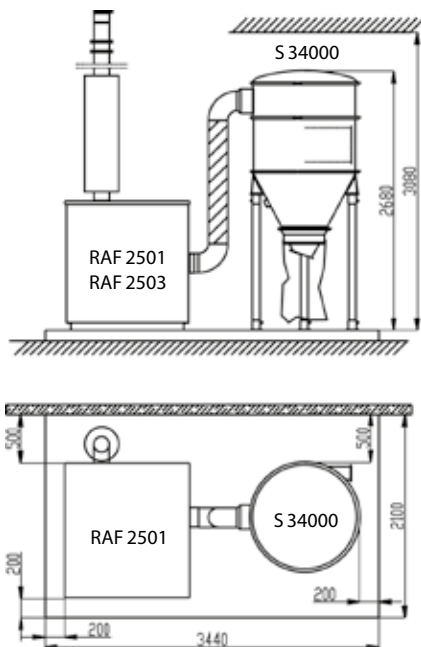
TPR 35–TPR 50, S 32000–S 34000, F 20000



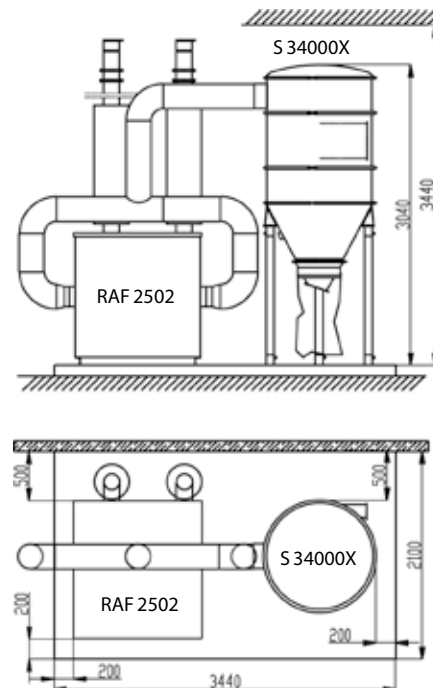
S 34000, RAF 2500



RAF 2501 / 2503, S 34000



RAF 2502, S 34000X

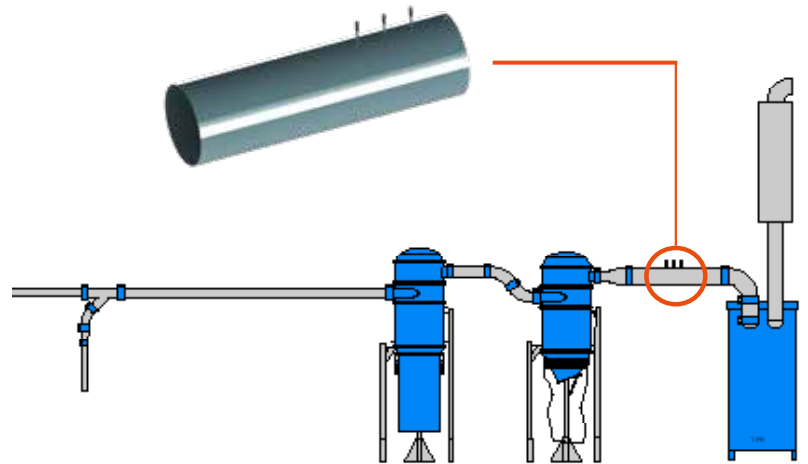


## Vacuum Producers

# Measuring Tube

Dustcontrol's measuring tube is an easy and fast tool for the service engineer to carry out a control measurement – before and after installing the central vacuum system. The tube measures the air flow  $Q$  ( $m^3/h$ ) when the system is open, leakage flow and negative pressure when the system is closed. The measuring tube is placed between the filter and the vacuum producers, see graphic.

The measuring tube is included as a standard part in central vacuum systems from Dustcontrol and can also be added to existing systems. Air flow metre is not included.



### Accessories (Part No)

3365	Measuring Tube Ø200	3371	Measuring Tube Ø50
3366	Measuring Tube Ø160	88014	Measuring Tube Ø76
3367	Measuring Tube Ø108	88015	Measuring Tube Ø108/76
3372	Measuring Tube Ø76	88016	Measuring Tube Ø160/108
		88035	Measuring Tube Ø200/160

# Fan Silencers for RAF 1600/2503

In order to decrease the noise level of our fans, RAF 1600 and RAF 2503, an in-line silencer must be installed on the exhaust duct. However, if required, it is also possible to fit an in-line silencer to the inlet.

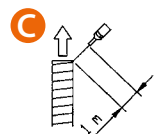
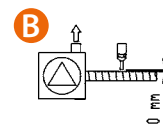
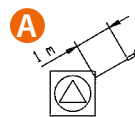
Several examples are illustrated of how noise level measurements can be affected. It is not unusual to obtain measurements of up to 110–120 dB(A) in completely non-silenced installations.



### Accessories (Part No)

3182	Fan silencer Ø160 L=1200, Ø355
3183	Fan silencer Ø160 L=600, Ø355
3184	Fan silencer Ø160 L=600, Ø260

Fan Silencers for RAF 1600/2503	Sound Level [dB(A)]		
	A	B	C
<p>Ø160</p>	96	100	102
<p><b>Silencer</b></p> <p>Ø160x600x260 (Part No 3184) Ø160x600x355 (Part No 3183)</p> <p>Ø160</p>	75	78	81
<p>No 3182)</p> <p>Ø 160</p>	68	72	71

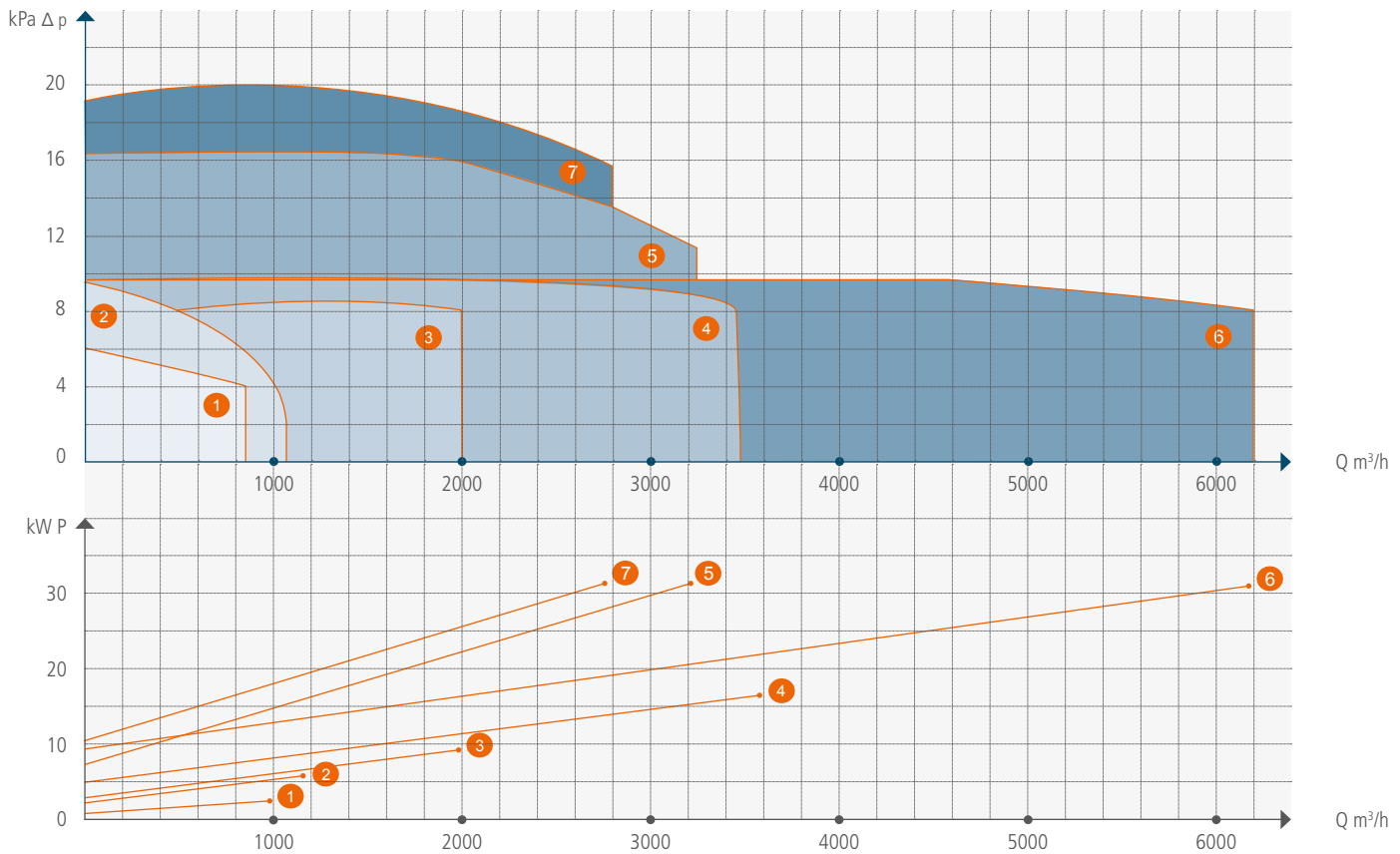




# Radial Blowers

## The capacity of the Radial Blowers

Fume Extraction of fine dust from light material ie: wood and paper



- 1 RAF 500
- 2 RAF 500 S
- 3 RAF 1600
- 4 RAF 2500
- 5 RAF 2501
- 6 RAF 2502
- 7 RAF 2503

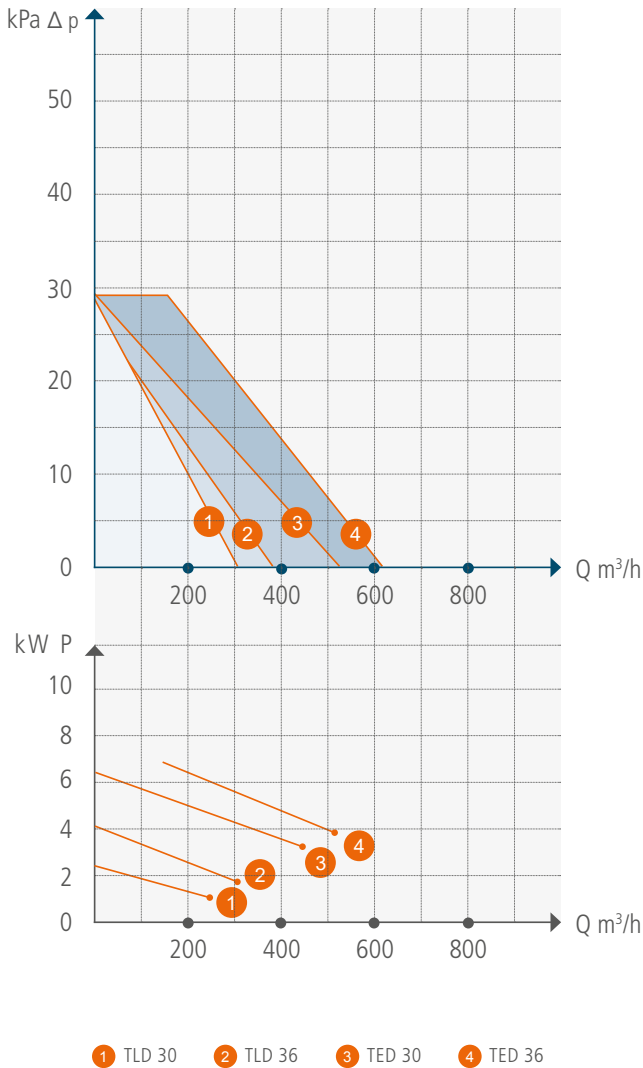
The capacity curves for Dustcontrol vacuum producers have been measured and are stated empirically. Outlet pressure losses from a normal outlet (silencer, back-flow valve/bend) have been accounted for in the curve. Additional equipment such as a diffuser can result in increased pressure loss and must be taken into consideration. Stated air flows are for standard air.

The stated curves are for negative application, all pressures stated are assumed to be below relative atmospheric pressure at sea level. These devices can also be used for positive pressure application and will generate a greater pressure differential.

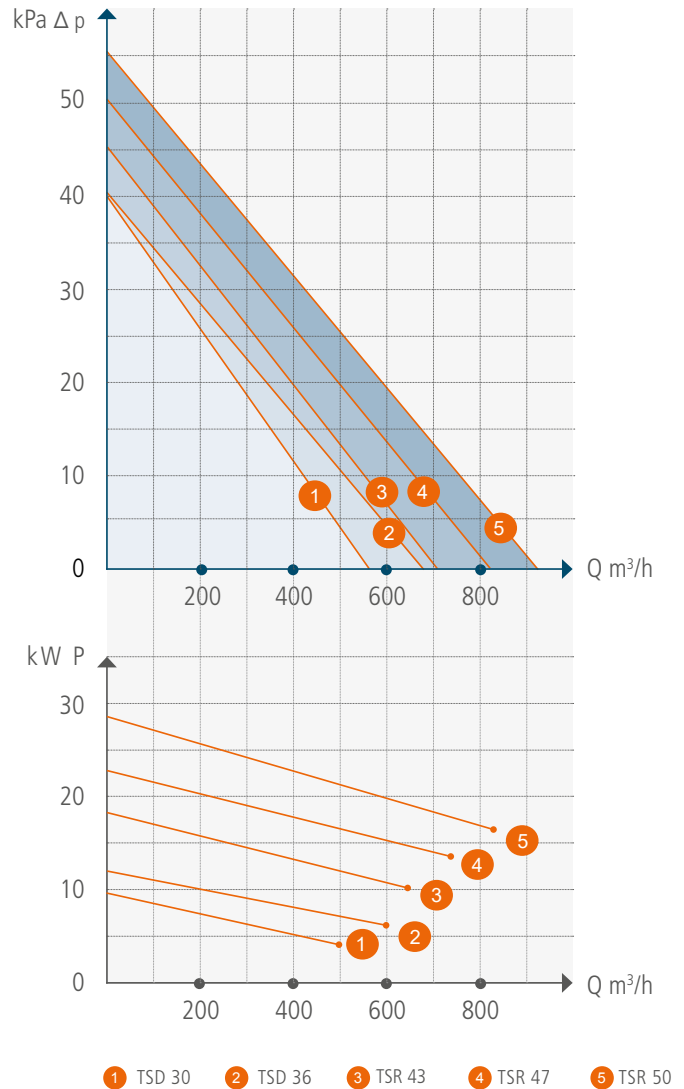
# Turbopumps TLD/TED and TSD/TSR

## The capacity of the Turbopumps

### Turbopumps TLD/TED



### Turbopumps TSD/TSR





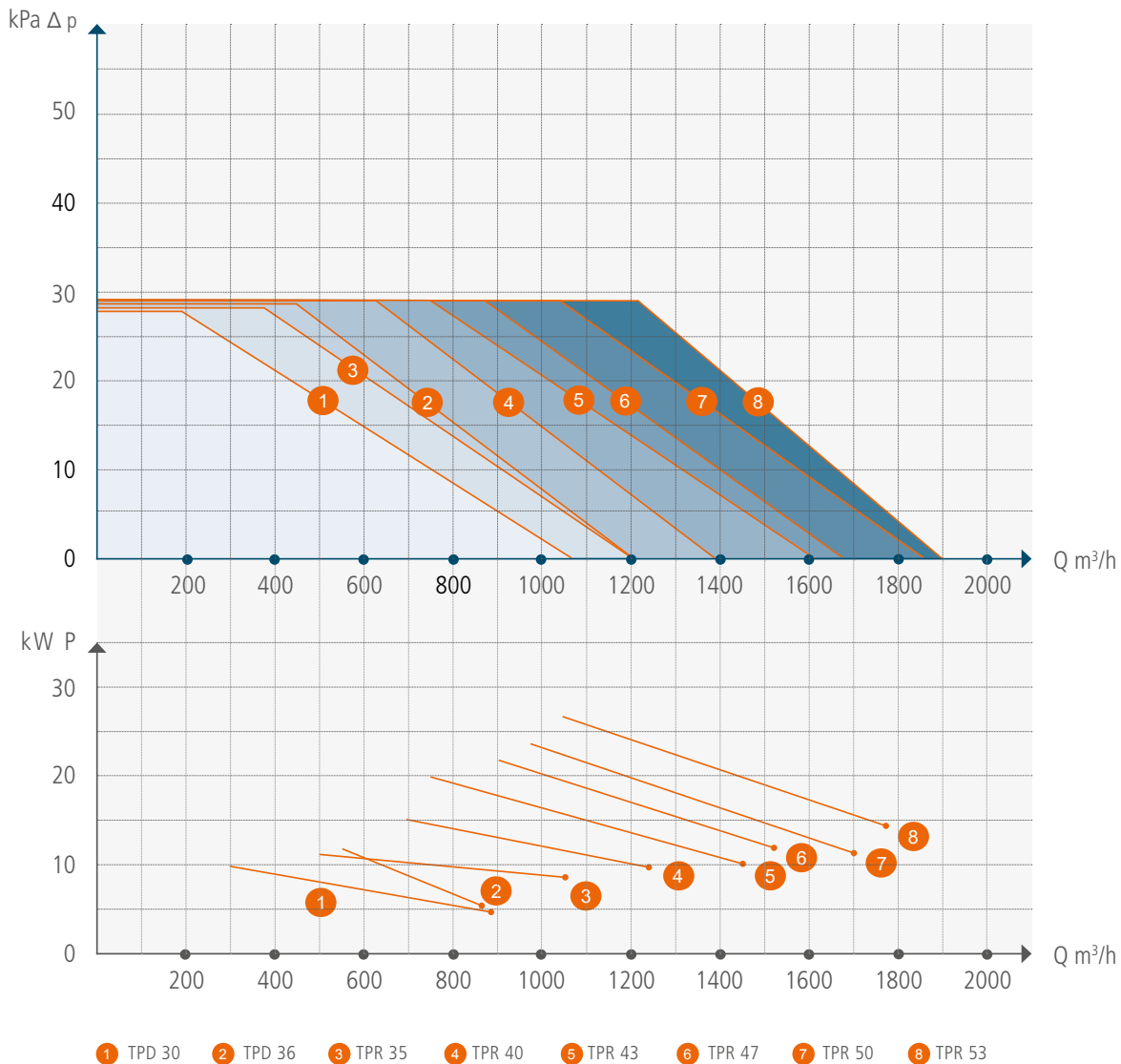
Vacuum Producers

# Turbopumps TPD/TPR

## The capacity of the Turbopumps



### Turbopumps TPD/TPR



Healthy Business

Dustcontrol®

# Filter Units

An extraction system should always be equipped with a filter unit. The filter unit separates coarse material in the cyclone body of the unit and fine dust in an internal arrangement of conical pleated cartridge filters.



# About Dustcontrol Filter Units

An extraction system should always be equipped with a filter unit. The filter unit separates coarse material in the cyclone body of the unit and fine dust in an internal arrangement of conical pleated cartridge filters. Pleated filters have very high filter areas in relation to their physical size. The filter units therefore have high capacity while maintaining compact overall dimensions.

Filters are cleaned with reverse pulse which results in very effective cleaning, long filter life and low maintenance.

Normally the filter units are equipped with a plastic bag or container for collection of the extracted material but other types of discharge arrangements can also be installed.

## General

In the filter unit, dust is separated from the air in several steps:

- the cyclone will separate particles down to a size of 1/100 mm.
- the filter will separate particles which escape the cyclone effect.

The dust laden air is introduced into the cyclone at a high velocity. Through centrifugal force the dust particles, with higher relative mass than the air molecules, are forced outward toward the wall of the cyclone and drop to the bottom. The air flows toward the centre of the cyclone and through the filter.

## Filter Loading

Permissible air flow determines the air velocity through the filter material, known as filter loading. Consider also inlet/outlet velocities. Permissible filter loading varies with dust type.

## Permissible Filter Loading

DUST TYPE	[m <sup>3</sup> /h/m <sup>2</sup> ]
Stone	120
Concrete	120
Wood	160
Cement	120
Plastic	120
Graphite	60
Carbon black	60
Welding fume	60



## Example

For the extraction of welding fume, the maximum permissible flow in the S 34000 will be:

$$60 \text{ (m}^3\text{/h)/m}^2 \times 34 \text{ m}^2 \text{ filter area} = 2040 \text{ m}^3\text{/h}$$

The velocity of the air through the inlet and outlet should not exceed 30 m/s. When one filter unit does not have sufficient capacity, several units can be connected in parallel.





## Filter Units

# Choose the right filter unit

DUST TYPE	Air flow* [m³/h]	Select filter unit
Stone, concrete, cement, wood, plastic, metal	≤ 1000*	S 11000
	1000-1500	S 21000
	1000-2000*	S 32000/2 x S 11000
	2000-4000*	S 34000
	4000-5000*	S 34000X
	≤ 8000	S 46000
Graphite, carbon black, welding fume, fibre glass	≤ 700	S 11000X
	700-1400	2 x S11000X
	700-2000	S 34000
	2000-2900	S 34000X
	≤ 5500	S 46000
ATEX	≤ 1000*	S 11000 EX**
	1000-1500	S 21000 EX**
	2000-4000*	S 34000 EX**

\*) In applications with a large percentage of finer particulate, the above values should be reduced 20 %.

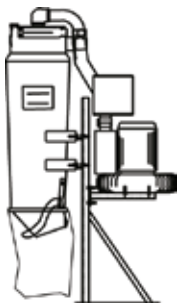
\*\*\*) Kst ≤ 200 bar/m/s



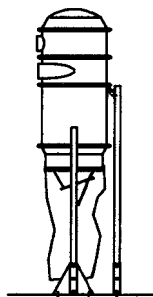
S 34000

### Tip

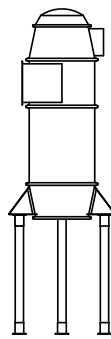
For smaller systems, the filter unit and vacuum producer can be delivered unitized on a common chassis.



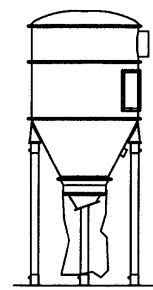
DC 3800  
Stationary



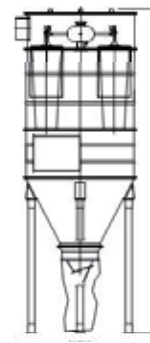
S 11000  
S 11000X



S 21000



S 32000  
S 34000  
S 34000X



S 46000

## Filter Units

# S 11000, S 11000X

The S 11000 filter unit is of modular construction and is therefore flexible in application. The inlet module can for example, be both rotated and reversed. Additional module rings can be installed to increase the storage capacity of the cyclone. The S 11000 is either floor or wall mounted. The S 11000 and S 11000X must always be equipped with a discharge cone or other discharge arrangement. The X model is equipped with larger filter area and an extra module ring.

The S 11000X FC filter cyclone is manufactured in 1.4301 and is intended for use in the food industry.

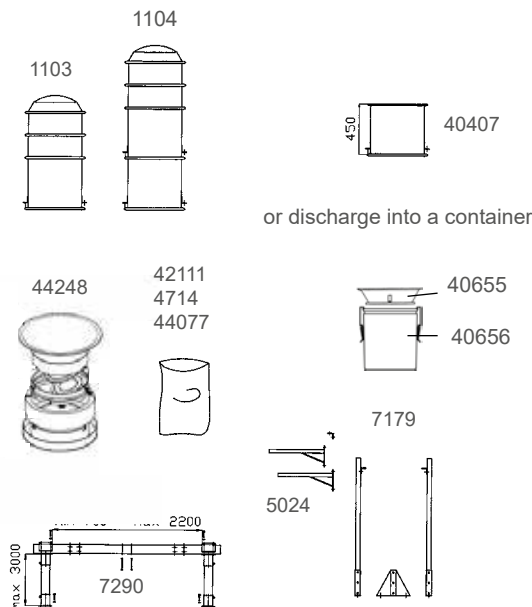


S 11000X FC – Food Contact

### Part No Description

Part No	Description
1103	S 11000 AC
110302	S 11000 AC Stainless Steel
110300	S 11000 DC
1104	S 11000X AC
110400	S 11000X DC
110305	S 11000 FC 1.4301
110405	S 11000X FC 1.4301

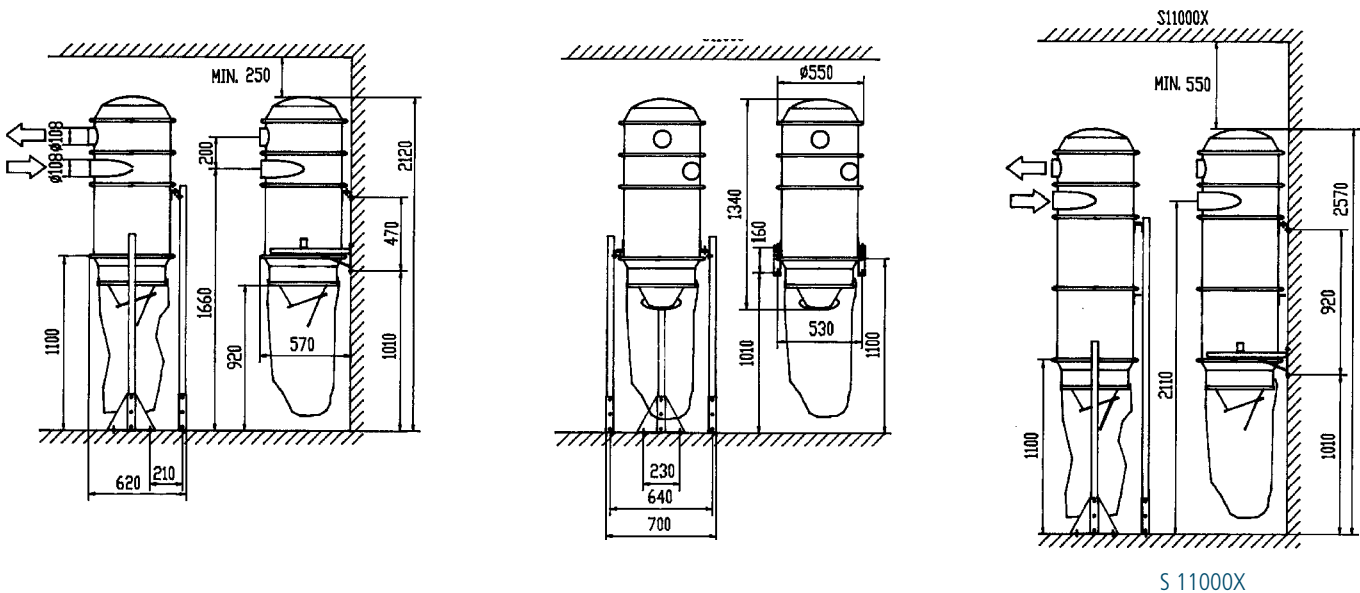
FC=Intended for Food Contact



### + Accessories S 11000 and S 11000X (Part No)

4030	S 11000 HEPA-Module, post-assembly
40407	Module Ring
40655	Discharge Cone for container
40656	Steel Container, 40 l
42111	Collection Bag, 50 pcs, antistatic
4714	Collection Bag, 50 pcs
44077	Longopac Midi (1x25 m)
44248	Adaption Kit Longopac Midi
42807	HEPA filter 3,7 m <sup>3</sup>
5024	Wall Bracket Complete
7179	Stand Complete
7290	Widening Chassis
8188	Timer
44824	S 11000 Stand
44825	S 11000X Stand
44609	Discharge Cone for container S 11000 FC 1.4301
44608	Steel Container, 50 l, FC 1.4404

## Dimensions, arrangements



## Filter Units

# S 11000, S 11000X with HEPA-Module

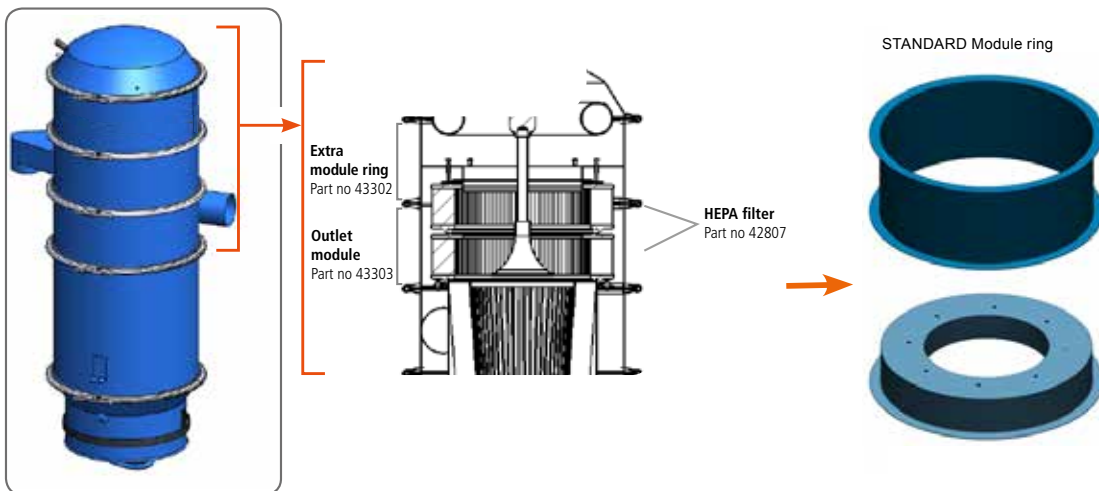
S 11000 filter units, DC 11000 dust extractors and DC 11-Modules may be combined or completed with Dustcontrol's HEPA-Module. It fulfills the HEPA H13 specifications. The module is especially suited to capture the smallest and most dangerous particles.

The HEPA-Module will be delivered with all necessary parts such as gaskets and joints for quick and easy mounting to the existing product.

### Part No Description

4030	HEPA-Module complete*
11034	S 11000 HEPA AC
110304	S 11000 HEPA DC
11044	S 11000X HEPA AC
110404	S 11000X HEPA DC

\* For post-assembly



### HEPA-Module Complete for Post-Assembly (Part No 4030)

- Easy to mount on top of an existing S 11000, DC 11-Module or DC 11000, see owners manual
- 200 mm extra height on the existing cyclone
- Fits on older and new cyclones
- Copes with high pressure and high air flow (Flow max= 1000 m<sup>3</sup>/h, max dp= 40 kPa)
- Easy filter change





## Filter Units

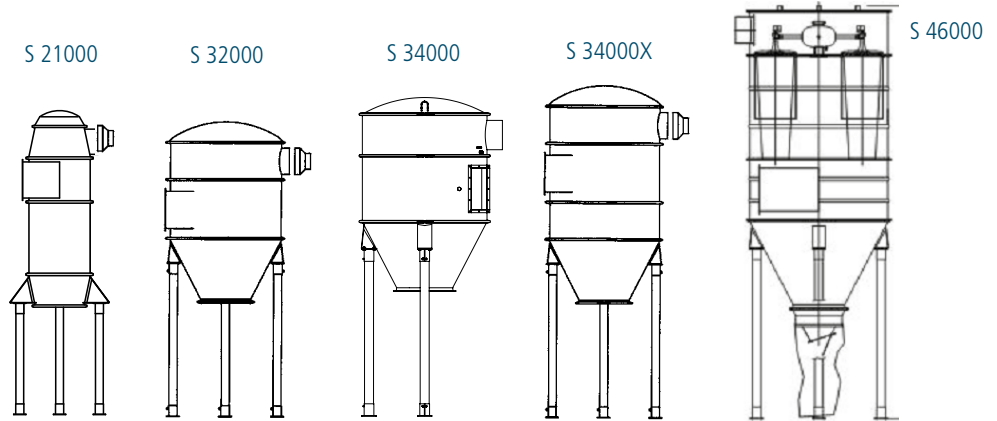
# S 21000, S 32000, S 34000, S 34000X, S 46000

The S 21000 and S 34000 are constructed of modules and are therefore very flexible. The inlet module can be both rotated and reversed. Additional modeling can be installed to give increased storage capacity of collected material.

The X model is equipped with a larger filter area and an extra module ring. Filter cleaning with reversed pulse.

The S 21000, S 32000, S 34000, S 34000X and S 46000 are installed on legs.

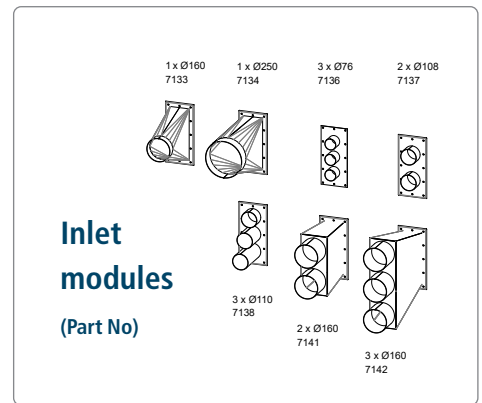
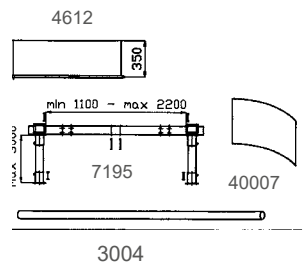
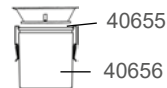
Alternative discharge options for the extracted material must be selected.



## Accessories (Part No)



or discharge into a container \*



**Inlet modules**  
(Part No)

TECHNICAL DATA	S 11000	S 11000X	S 21000	S 32000	S 34000	S 34000X	S 46000
Inlet Ø [mm/in]	108/4.2	108/4.2	optional	optional	optional	optional	optional
Outlet Ø [mm/in]	108/4.2	108/4.2	250/9.8	250/160 9.8/6.3	250/160 9.8/6.3	250/160 9.8/6.3	250/9.8 x 2
Flow max [m³/h]	1000	1000	1500	2000	4000	5000	8600
Negative pressure, max [kPa]	40	40	40	40	40	40	20
<b>Filter Material</b>							
Part No x pcs	4292 x 1	4284 x 1	4284 x 1	4292 x 2	4292 x 4	4284 x 4	4284 x 6
Total filter area [m²]	8.4	12	12	16.8	34	48	72
Degree of separation [%]	> 99.9	> 99.9	> 99.9	> 99.9	> 99.9	> 99.9	> 99.9
Class according to EN 60335	M	M	M	M	M	M	M
Max temperature, filter [°C]	130	130	130	130	130	130	130
Compressed air [bar]	4	4	4	4	4	4	4
Connection, hose [mm/in]	6/8 mm	6/8 mm	6/8 mm	6/8 mm	6/8 mm	6/8 mm	6/8 mm
El connection	24V AC alt. DC,12 W	24V AC alt. DC,12 W	24V AC alt. DC,12 W	24V AC alt. DC,12 W	24V AC alt. DC,12 W	24V AC alt. DC,12 W	24V AC alt. DC,12 W

\*Note: Always consider filter loading.

## Filter Units

# S 21000, S 32000, S 34000, S 34000X, S 46000

### Part No Description

1191	S 21000 AC
1136	S 32000 AC
1059	S 34000 AC
1060	S 34000X AC
1070	S 46000 AC
119100	S 21000 DC
113600	S 32000 DC
105900	S 34000 DC
107000	S 46000 DC
106000	S 34000X DC

\* Other options available, see Pre-Separator chapter



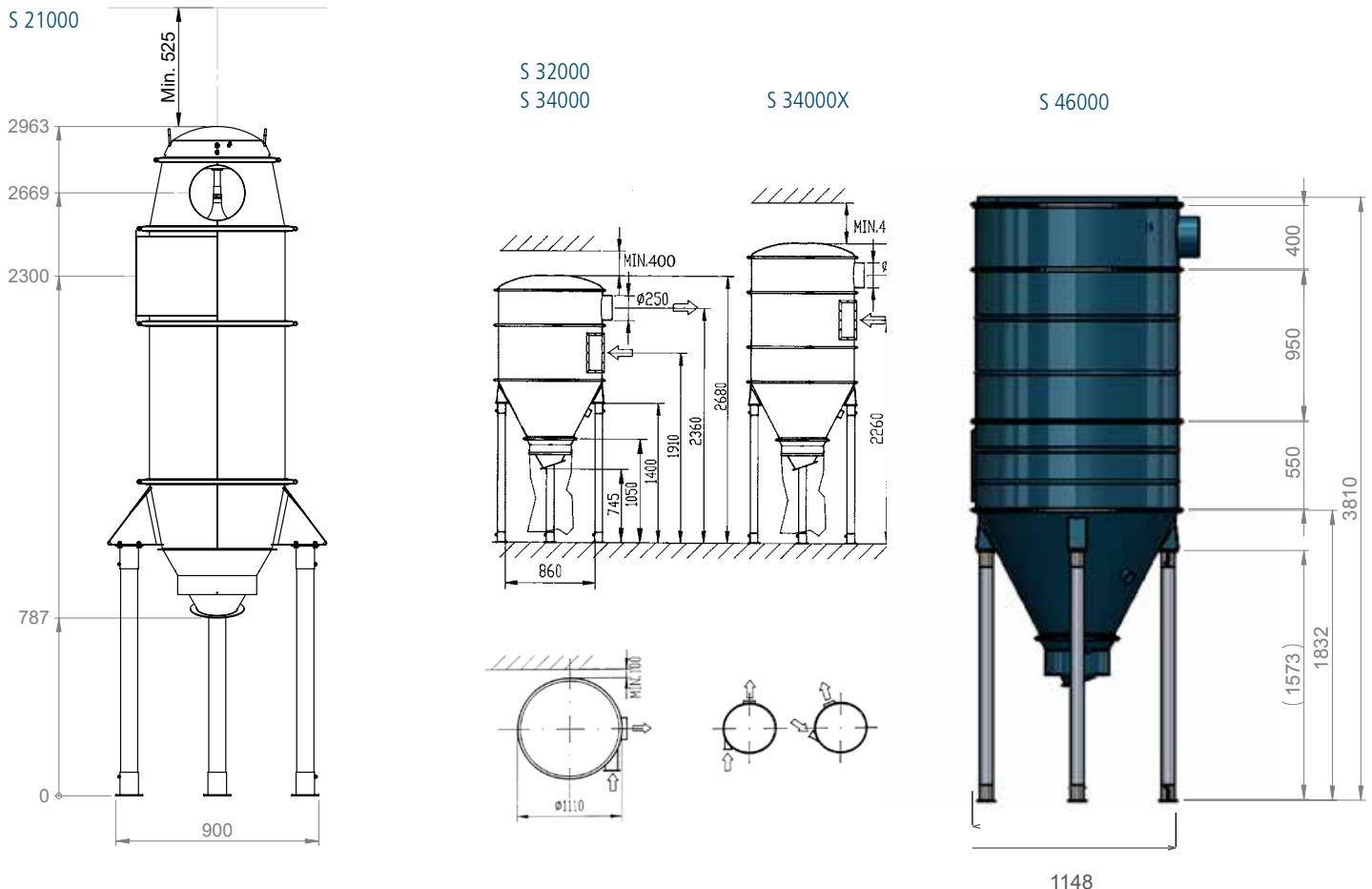
### Accessories (Part No)

3004	Steel Tube 76 mm, galvanized	7133	Inlet D = 160x1
40007	Inlet Wear Plate S 32000 / S 34000	7134	Inlet D = 250x1
42111	Collection Bag, 50 pcs, antistatic	7136	Inlet D = 76x3
40655	Discharge Cone for container	7137	Inlet D = 110x2
40656	Steel Container	7138	Inlet D = 110x3
42111	Collection Bag, 50 pcs, antistatic	7141	Inlet D = 160x
4714	Collection Bag, 50 pcs	7142	Inlet D = 160x3
44077	Longopac Midi (1x25 m)	7195	Widening Chassis
44248	Adaption Kit Longopac Midi	819001	Sequence Control S 32000 / S 34000
4612	Module Ring, complete S 32000 / S 34000		

Complete module ring S 32000 / S 34000 increases the height of the cyclone by 0.35 m and volume by 0.3 m<sup>3</sup>.

Widening chassis is used when collected material is to be deposited in a container up to 1.1 m<sup>3</sup>.

## Dimensions, arrangements



## Filter Units

# S 11000EX, S 21000EX, S 34000EX



S 11000 EX / S 21000 EX / S 34000 EX are high vacuum dust collectors for potentially combustible dust. The units comply with the ATEX directive.

S 11000 EX / S 21000 EX / S 34000 EX meet various extraction requirements and to meet the challenges and rapid changes presented to modern industry. The systems are all marked with the EX symbol and are category 3D equipment according to directive 2014/34/EU. Filter cleaning with Reverse Pulse.

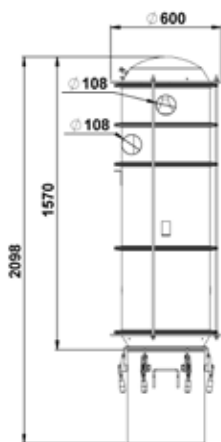
TECHNICAL DATA	S 11000 EX	S 21000 EX	S 34000 EX
Inlet Ø [mm/in]	108/4.2	optional	optional
Outlet Ø [mm/in]	108/4.2	250/160 9.8/6.3	250/160 9.8/6.3
Flow max [m³/h]	1000	1500	4000
Soiled side air volume [l/gal]	251/66.3	464/122.6	1312/346.6
<b>Filter Material</b>	429206 x 1	429206 x 1	429206 x 4
Total Filter Area [m²]	8.4	12	34
Degree of separation EN 60335 [%]	> 99.9	> 99.9	> 99.9
Collection container [l/gal]	60/15.8	60/15.8	60/15.8
Max temp filter [°C]	130	130	130
Compressed air	4 l/s, 4 bar	4 l/s, 4 bar	4 l/s, 4 bar
Connection, hose	6/8 mm	6/8 mm	6/8 mm
El connection	24 V DC, 12 W	24 V DC, 12 W	24 V DC, 12 W

### Part No Description

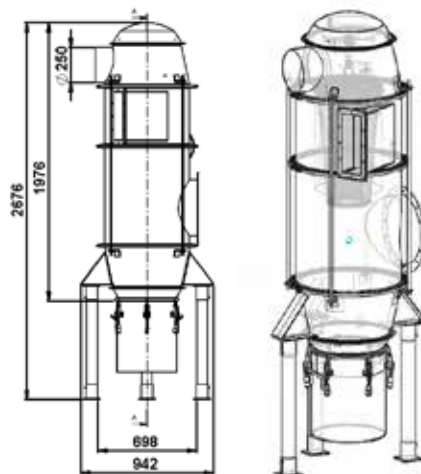
110301	S 11000 EX
119201	S 21000 EX
105901	S 34000 EX

## Dimensions, arrangements

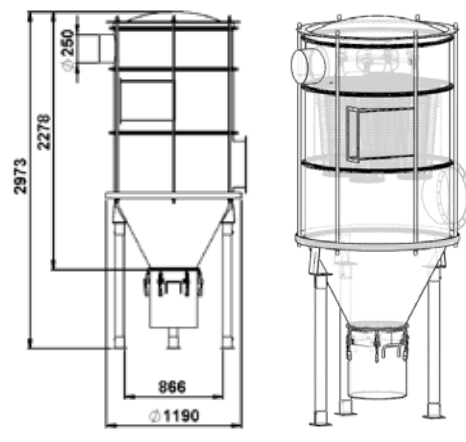
S 11000 EX



S 21000 EX



S 34000 EX





## Filter Units



## DC HEPA box

Within the pharmaceutical, food processing, electronic, automotive and aerospace industries (just to name a few) there are numerous environments which need extreme safeguards against dispersion of particles and aerosols. Here the DC HEPA box is equipped with a H13 filter.

The DC HEPA box has a robust design and withholds high negative pressure (40 kPa) which differentiates it from competing products. The DC HEPA box is recommended for use as a “police filter” between the filter unit and the vacuum producer in an ATEX environment.

If for any reason the filter unit fails, the DC HEPA box stops the dust from reaching the radial blower or turbopump.

TECHNICAL DATA	DC HEPA box
Inlet/Outlet Ø [mm/in]	200/7.9
Height [mm/in]	822/32.4
Width/Depth [mm/in]	574/573 /22.6/22.5
Weight [kg/lb]	39/86
Filter area [m <sup>2</sup> ]	9.4
Flow max [m <sup>3</sup> /h]	2500
Negative pressure, max [kPa]	40
Filter type	HEPAH13 EN1822-1
Mounting	Wall and ceiling

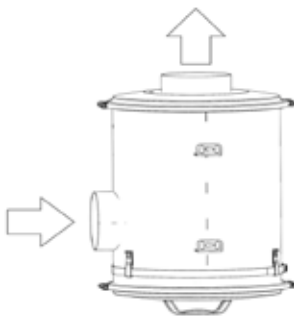
### Part No Description

1180 DC HEPA box

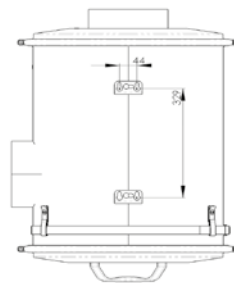
### + Accessories (Part No)

42111 Plastic Bag ESD  
42896-1 HEPA Filter

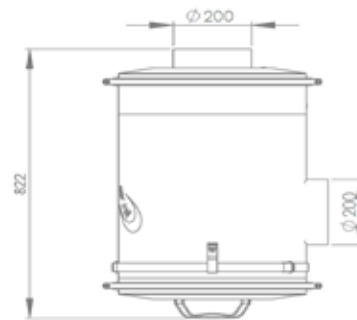
Contamination free filter change



Air flow



Wall Mounting



Contamination free filter change

Healthy Business

Dustcontrol®

Dustcontrol

# Pre-Separators

When large quantities of material are to be separated, it is advisable to use a pre-separator. The pre-separator can be placed at the workplace or in conjunction with the central unit.







# About Pre-Separators

Pre-Separators can be used in all applications where the extracted material is coarse or voluminous. These can be placed in the actual workplace for separate handling or recovery of the extracted material, or centrally to relieve filter loading.

Pre-Separators separate material from the air flow using the action of a cyclone or with inertial separation.

The Cyclone Principle is very effective in separating particles down to 1/100 mm.

Inertial separators are generally configured as containers with the inlet and outlet in the same wall of the container. When the air flow changes direction abruptly, separation occurs for the particles with higher relative mass.

## Cyclone Pre-Separators

TYPE OF MATERIAL	Air flow [m <sup>3</sup> /h]	Select Pre-Separator
All types, particularly where a large percentage is fine particulate	100–200	DCF 60, F 2500, DCF 2800
	100–500	DCF Mobil
	200–500	F 3500
	500–700	F 8000
	500–1000	F 11000
	1000–4000	F 20000
	2000–5000	F 30000

DISCHARGE TO	Volume	Equipment
Plastic bag	lesser	Discharge cone
Compacted in plastic bag	greater	Auger Compactor
Open Container, Conveyor	lesser	Foot Valves/Auto Foot Valve/ Discharge Valves
	greater	Peristaltic Airlock
Small Container	lesser	With or without plastic bag
Tipping Container	greater	

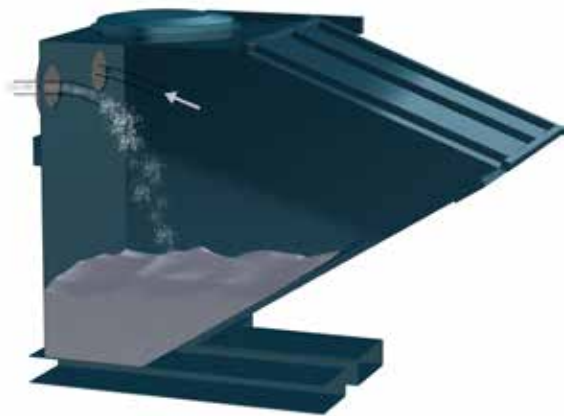
## Inertial Pre-Separators

MATERIAL TYPE	Air flow [m <sup>3</sup> /h]	Volume	Select Pre-Separator
Coarse and dense	250-2000	moderate	Tipping Container
	250-2000	large	Large Container



### Cyclone Principle

Meaning that the inlet is mounted tangentially on the body and the air flow is thus forced against the inside of the cyclone.



### Inertial Principle

Meaning that the air stream flows into the container and abruptly changes course.

## Mobile Pre-Separators

# DCF Mobile

The DCF Mobile is suitable for the separation of different types of coarse material, liquids and water. It is light and fitted with wheels, so it can be connected to the workplace directly, thereby reducing the loading on the ducting system and minimising the risk of blockage.

The DCF Mobile is the standard model of the mobile pre-separator. For emptying, the snap-on catches on the top cover are released and the material is shovelled or tipped out.

### Part No Description

7010	DCF Mobile Standard
7074	DCF Mobile Plastic Bag
7073	DCF Mobile Liquid Separator
7009	DCF Mobile Water Separator



### Accessories (Part No)

4714 Collecting Bag, 50 pcs for Pre-Separators 7074 and 7097

TECHNICAL DATA	DCF Mobile
Container volume [l/gal]	95/25.1
Height [mm/in]	900/35.4 (without cyclone)
Height [mm/in]	1650/65 (with cyclone)
Container diameter [mm/in]	440/17.3
Weight [kg/lb]	30/66 (without cyclone)
Weight [kg/lb]	35/77 (with cyclone)
Inlet/Outlet Ø [mm/in]	76/3
Air flow [m <sup>3</sup> /h / cfm]	100–500/59–294



Mobile with Water Separator / 7009

The DCF Mobile Water Separator is fitted with Ø50 mm drain valve. This is used where large amounts of water will be separated.



Mobile with Liquid Separator / 7073

The DCF Mobile Liquid Separator is fitted with an intermediate grill and drain valve. It is suitable for handling chips where cutting fluids and coolants are also collected.



Mobile with Cyclone / 7097

The DCF Mobile Cyclone has a high efficiency cyclone mounted on the top cover. Thanks to the small diameter of the cylinder in relation to its height and to the especially shaped inlet, this separator can separate even smaller and lighter materials such as asbestos fibres. The separated material then falls into the container which is fitted with a plastic bag for dust-free handling.



Mobile with Plastic bag / 7074

The DCF Mobile complete with plastic bag has the same fittings as the standard model plus plastic bags and a pressure compensating hose in order to obtain the same vacuum outside and inside the plastic bag. This pre-separator is suitable for use when handling materials which need to be collected in a sealed package.

## Mobile Pre-Separators

# DCF Cyclone Separator Cover

When large quantities of dust are produced, a DC 5900, for example, can be supplemented with a cyclone separator cover that is fitted directly onto a standard barrel.

### Part No Description

7367 Cyclone separator cover

TECHNICAL DATA	DCF Storm
HxWxD [mm/in]	580/23
Weight [kg/lb]	10/22
Inlet/Outlet Ø [mm/in]	76/3
Cyclone diameter Ø [mm/in]	Ø250/10
Barrel diameter Ø [mm/in] (For a standard barrel 200/52.8 [l/gal])	620/24



## DCF 60

The DCF 60 Pre-Separator can handle large quantities of dust. Due to its large inlet the Pre-Separator is also well suited to separate coarse dirt. Perfect for wood floor grinding.

### Part No Description

7069 DCF 60 with wheel set

TECHNICAL DATA	DCF 60
HxWxD [mm/in]	1060x380x380/42x15x15
Weight [kg/lb]	10/22
Inlet Ø [mm/in]	Ø62 /2.4
Outlet Ø [mm/in]	Ø50 /2
Collection container [l/gal]	55/14.5



## DCF 2900 c/L

The DCF 2900 Pre-Separator is often used in combination with the DC 2900 dust extractor to relieve the loading on the filter. Two models available, with bags (c) or with Longopac (L).

### Part No Description

7372 DCF 2900 c  
737200 DCF 2900 L

TECHNICAL DATA	DCF 2900 c/L
HxWxD [mm/in]	1000x540x450/39x21x18
Weight [kg/lb]	c) 10/22 L) 15/33
Inlet Ø [mm/in]	Ø50/2
Cyclone diameter [mm/in]	Ø250/10
Collection container [l/gal]	c) 40/10 L) Longopac



### Supplied with (Part No)

42702 Plastic Bags  
44763 Longopac mini, 7 x 12 m/39ft





## Mobile Pre-Separators

# DCF Tromb

The DCF Tromb a/c/L is ideal for floor grinding and semi-mobile systems where large quantities of dust are handled. The pre-separator reduces the strain on the extraction source and is equipped with a intellibag/Longopac/container-solution for dust-free bag replacement, therefore allowing the user to avoid unnecessary and time-consuming shutdowns.

TECHNICAL DATA	DCF Tromb
HxWxD [mm/in]	1415x600x780/56x23x31
Weight [kg/lb]	L) 32/70 C) 27/59
Inlet Ø [mm/in]	76/3
Collection container [l/gal]	C) 20/5.3 L) Longopac



### Part No Description

707002	DCF Tromb a
707001	DCF Tromb c
707000	DCF Tromb L



### Supplied with (Part No)

DCF Tromb a  
5 x plastic bags (42285)

DCF Tromb c  
10 x plastic bag (43619)

DCF Tromb L  
Longopac (432177)

# DCF Storm

The DCF Storm is ideal for floor grinding and semi-mobile systems and could be set apart to handle large and heavy quantities of dust. The pre-separator relieves the loading on the filter in the vacuum source and is equipped with a Longopac solution for dust-free bag changing, so that the user can minimise unnecessary and time-consuming stoppages. Also available as a standard "c" model with an intellibag.

TECHNICAL DATA	DCF Storm
HxWxD [mm/in]	185x70x108 /73x27x42
Weight [kg/lb]	46/101
Inlet Ø [mm/in]	108/4
Flow max, fan, EU [m³/h]	700
Flow max, fan, US/CAN [cfm]	412



### Part No Description

70700	DCF Storm c
70701	DCF Storm L



### Supplied with (Part No)

DCF Storm c  
plastic bags (46145)

DCF Storm L  
Longopac 25 m /82 ft  
(44077)

## Mobile Pre-Separators

# DCF Immersion

DCF Immersion for handling metals and reactive material in a safe way. The material is sucked/transported through a fluid and collected in a fine net basket. The basket and collected materials sit in the neutralising fluid until emptied.

### Liquid Catchment & Demister Filter

A liquid catchment system with a demister filter prevents neutralising liquid and moisture from exiting the system. A hydrophobic filter is an optional accessory that can be used as an extra precaution against moisture.

Dustcontrol recommends the use of a 0W-20 oil as neutralising liquid to ensure that no hydrogen build-up occur. Many metals, eg. aluminium, titanium, magnesium react with water creating hydrogen which is highly combustible. Use of water in such instances is prohibited.

Pre-Separator DCF Immersion



#### TECHNICAL DATA

#### DCF Immersion

HxWxD [mm/in]	1480x620x 838/58x24x33
Weight [kg/lb]	40/88
Flow max, recommended [m <sup>3</sup> /h]	140-350
Neutralizing liquid volume [l/gal]	20/5.3
Neutralizing liquid	0W-20 oil
Chip collection capacity	1 l / 0.263 gal or maximum 5% of the liquid level

**Part No** 74100 DCF Immersion



**Supplied with** (Part No)

Hydrophobic filter 44108



A blue, cylindrical dust control device with a white logo and a curved pipe on top. The device has two metal latches on the top edge. The logo consists of the word "stcontrol" in white lowercase letters, followed by a large white stylized 'D' shape with a registered trademark symbol (®) to its upper right. The device is mounted on a base with a handle.

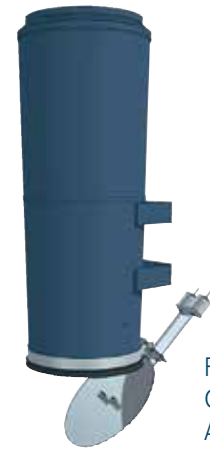
stcontrol®



# Stationary Pre-Separators

## F 2500, F 3500

The F 2500 and F 3500 are wall mounted cyclone type pre-separators used directly at the work station to relieve loading on the tubing system/filter or for separation of recoverable material. These can also be used as central pre-separators in smaller systems with the DC Tromb and DC 11-Module respectively.

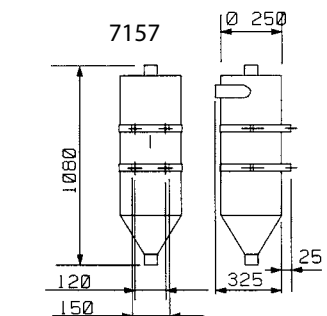
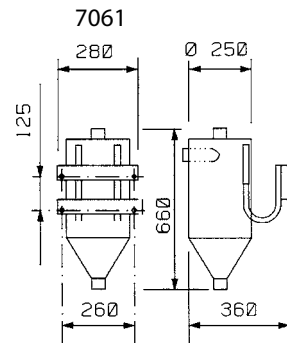
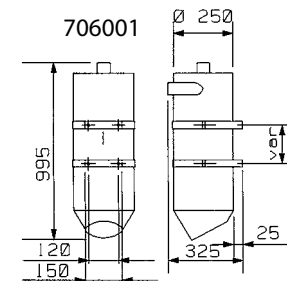
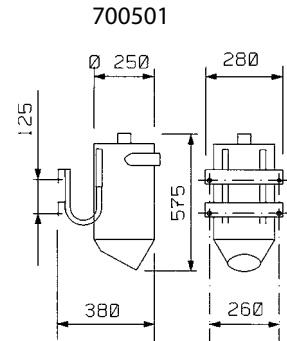
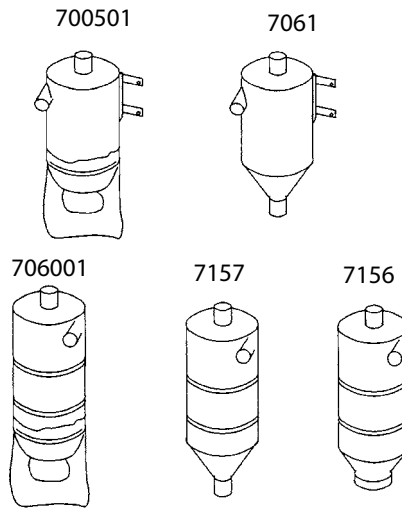


F 3500 with Counter Balance Arrangement, 7383

### Dimensions, installation examples

#### Part No Description

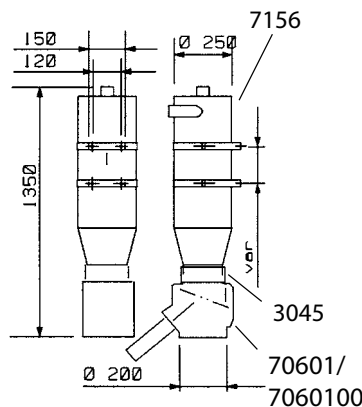
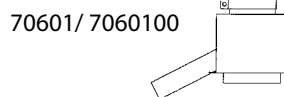
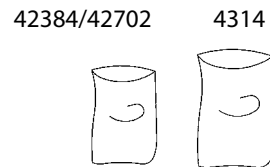
700501	F 2500 Plastic Cone
7061	F 2500, Fluid Separator $\varnothing 76$
7379	F 2500 with Counter Balance Arrangement
706001	F 3500 Plastic Cone
7157	F 3500 Fluid Separator $\varnothing 76$
7156	F 3500 with cone D=160
7383	F 3500 with Counter Balance Arrangement



#### Accessories (Part No)

42384	Plastic Bag, F 2500, antistatic
4314	Plastic Bag, F 3500, 50 pcs
42702	IntelliBag 10 pcs/roll
706701	Discharge Valve 160 mm - AC
70670100	Discharge Valve 160 mm - DC
7128	Return Valve for Fluid Separator

Discharge Valve is installed for discharge to an open container. Controlled discharge can occur with this pneumatically actuated valve. Must be connected to a suitable control panel.



TECHNICAL DATA	F 2500	F 3500
Weight [kg/lb]	5/11	13/28.6
Inlet/outlet $\varnothing$ [mm/in]	50/2	76/3
Flow [m <sup>3</sup> /h]	100-200	200-500

# Stationary Pre-Separators

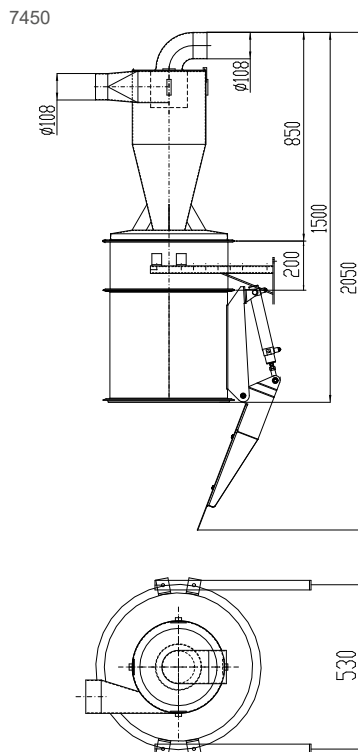
## F 8000

The F 8000 is a high efficiency inertial separator for the separation of fine and light dust, e.g. wood dust. It can be equipped with a 40407 Module Ring to create a larger storage capacity. For alternatives to Part No 746100, see discharge options.

TECHNICAL DATA	F 8000
Weight [kg/lb]	ca 15/33
Inlet Ø [mm/in]	108/4.2
Outlet Ø [mm/in]	108/4.2
Flow [m³/h]	500-700
Body Ø [mm/in]	300/11.8

**Part No** 7450 F 8000 Complete

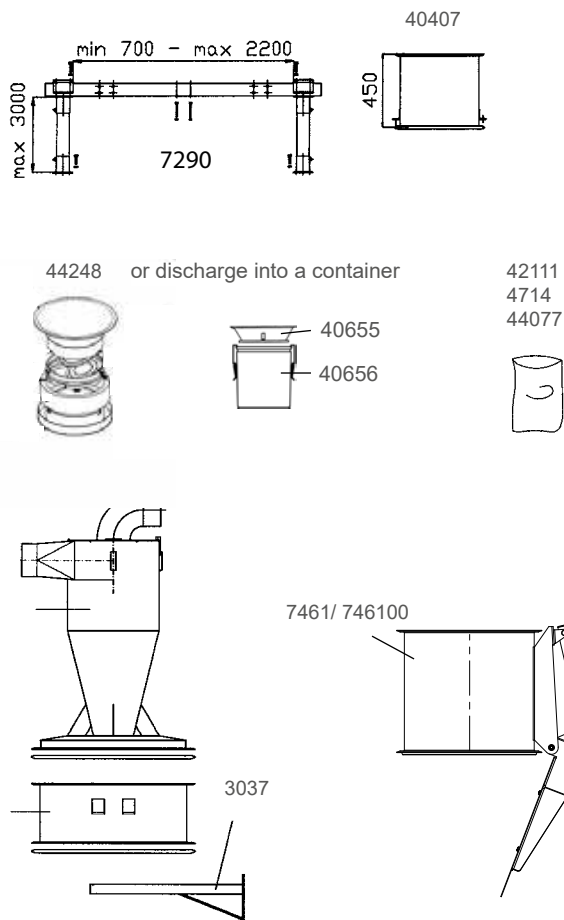
### Dimensions, Installation examples



### + Accessories (Part No)

- 3037 Bracket 500 mm (2 pcs required)
- 7290 Widening Chassis
- 7344 F 8000 Cyclone with cover
- 7345 F 8000 Body Module
- 40407 Module Ring
- 7450 F 8000 Complete
- 7461 Auto Foot Valve 470 mm, AC
- 746100 Auto Foot Valve 470 mm, DC
- 42111 Collection Bag, 50 pcs, antistatic
- 4714 Collection Bag, 50 pcs
- 44077 Longopac Midi (1x25 m)
- 44248 Adaption Kit Longopac Midi
- 40655 Discharge Cone for container
- 40656 Steel Container, 40 l

### Accessories (Part No)



F 8000 Complete is delivered with; 7344, 7345, 7461 and 2 x 3037

# Stationary Pre-Separators

## F 11000

### Part No Description

7177	F 11000 without Cone
4706	Discharge Cone for bag
42111	Collection Bag, 50 pcs, antistatic
4714	Collection Bag, 50 pcs
5024	Wall Bracket, complete
7178	F 11000X FC 1.4404 (without discharge cone, container and floor stand)

FC=Intended for Food Contact



Pre-Separator F 11000



Pre-Separator F 11000 FC 1.4404

### TECHICAL DATA

### F 11000

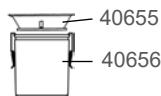
Weight [kg/lb]	ca 45/99
Inlet Ø [mm/in]	108/4.2
Outlet Ø [mm/in]	108/4.2
Flow [m³/h]	500-1000
Body Ø [mm/in]	477/18.7

The F 11000 is a modular cyclone pre-separator that is very flexible and can be configured easily to an exact requirement. Discharge equipment options can be used alternatively to the discharge cone with plastic bag collection.

The pre-separator F 11000 FC is adapted for recycling food products. It is manufactured in accordance with EU 1935/ 2004 in acid-resistant material 1.4404. The design has been created to avoid dust build-up and for optimized clean ability according to the guideline EN 1672-2: 2009.

### Accessories (Part No)

44248 or discharge into a container

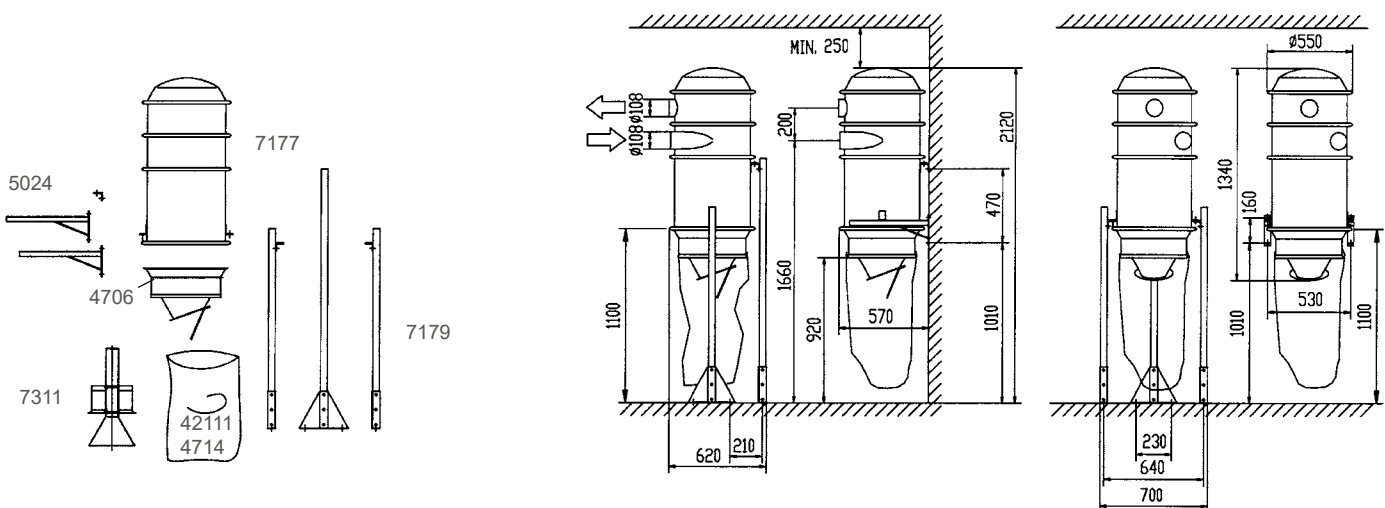


### Accessories (Part No)

40407	Module Ring	44248	Adaption Kit Longopac Midi
40655	Discharge Cone for container	7179	Floor Stand, complete
40656	Steel Container, 40 l	7290	Widening Chassis
42111	Collection Bag, 50 pcs, antistatic	7311	Vortex Tube
4714	Collection Bag, 50 pcs		
44077	Longopac Midi (1x25 m)		

Separation can be improved by equipping the pre-separator with a vortex tube and by increasing the height with an extra body module.

### Dimensions, Installation examples F 11000





# Stationary Pre-Separators

## F 20000

The F 20000 and F 30000 are modular cyclone Pre-Separators for larger systems. The unit must be equipped with the appropriate inlet module and discharge arrangement, e.g.: discharge cone or alternative selection.

TECHNICAL DATA	F 20000
Weight [kg/lb]	120/264
Inlet Ø [mm/in]	optional
Outlet Ø [mm/in]	250/9.8
Flow [m³/h]	1000-4000
Body Ø [mm/in]	596/23.4

### Part No Description

7185	F 20000
4706	Discharge Cone
4714	Collection Bag, 50 pcs
42111	Collection Bag, 50 pcs, antistatic
40655	Discharge Cone for container
40656	Steel Container, 40 l



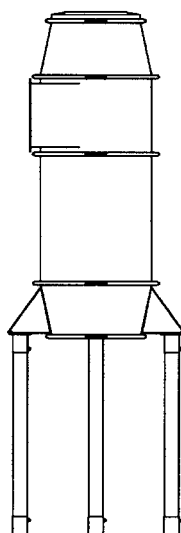
Pre-Separator F 20000



### Accessories F 20000 (Part No)

7133	Inlet D = 160x1
7134	Inlet D = 250x1
7136	Inlet D = 76x3
7137	Inlet D = 110x2
7138	Inlet D = 110x3
7141	Inlet D = 160x2
7142	Inlet D = 160x3
42111	Collection Bag, 50 pcs, antistatic
4714	Collection Bag, 50 pcs
44077	Longopac Midi (1x25 m)
44248	Adaption Kit Longopac Midi
7189	Vortex Tube
7195	Widening Chassis
3004	Steel Tube 76 mm, galvanised
40655	Discharge Cone for container
40656	Steel Container, 40 l

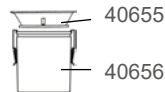
F 20000



44248



or discharge into a container



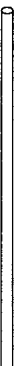
42111  
4714  
44077



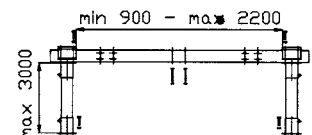
7189



3004



7195



# Stationary Pre-Separators

## F 30000

The configuration of the Pre-Separator is easily tailored to the specific application. The unit must be equipped with the appropriate inlet module and discharge arrangement.

TECHNICAL DATA	F 30000
Weight [kg/lb]	ca 170/374.8
Inlet Ø [mm/in]	optional
Outlet Ø [mm/in]	Ø250/9.8
Flow [m³/h]	2000-5000
Body Ø [mm/in]	Ø1045/41

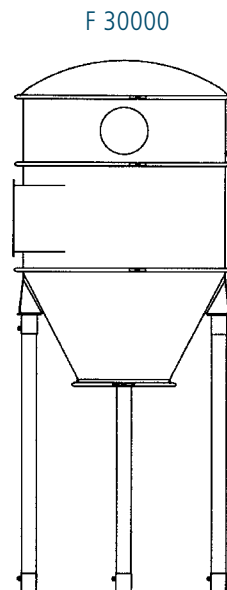
### Part No Description

7166	F 30000
4706	Discharge Cone
4714	Collection Bag, 50 pcs
42111	Collection Bag, 50 pcs, antistatic
40655	Discharge Cone for container
40656	Steel Container, 40 l



### Accessories F 30000 (Part No)

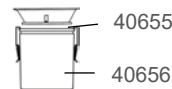
7133	Inlet D = 160x1
7134	Inlet D = 250x1
7136	Inlet D = 76x3
7137	Inlet D = 110x2
7138	Inlet D = 110x3
7141	Inlet D = 160x2
7142	Inlet D = 160x3
42111	Collection Bag, 50 pcs, antistatic
4714	Collection Bag, 50 pcs
44077	Longopac Midi (1x25 m)
44248	Adaption Kit Longopac Midi
3004	Steel Tube 76 mm, galvanised
40655	Discharge Cone for container
40656	Steel Container, 40 l
42111	Collection Bag, 50 pcs, antistatic
4612	Body Module
7195	Widening Chassis
40007	Inlet Wear Plate S 32/34000



44248



or discharge into a container



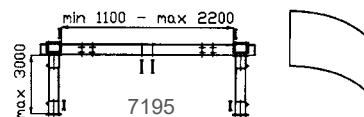
42111  
4714  
44077



4612



40007

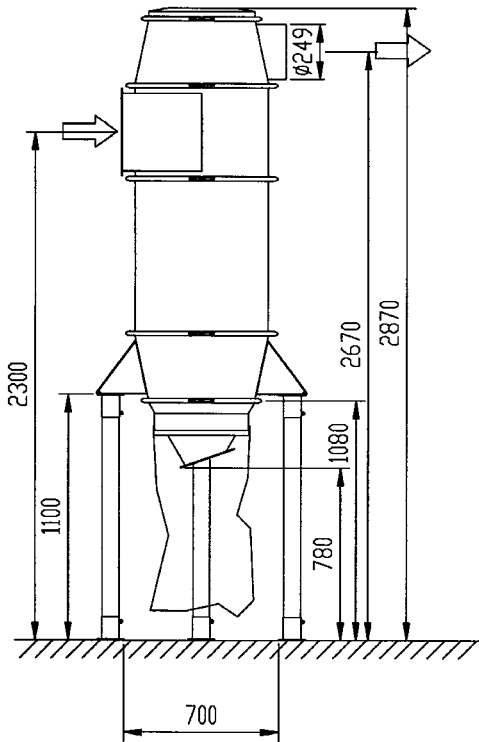


3004

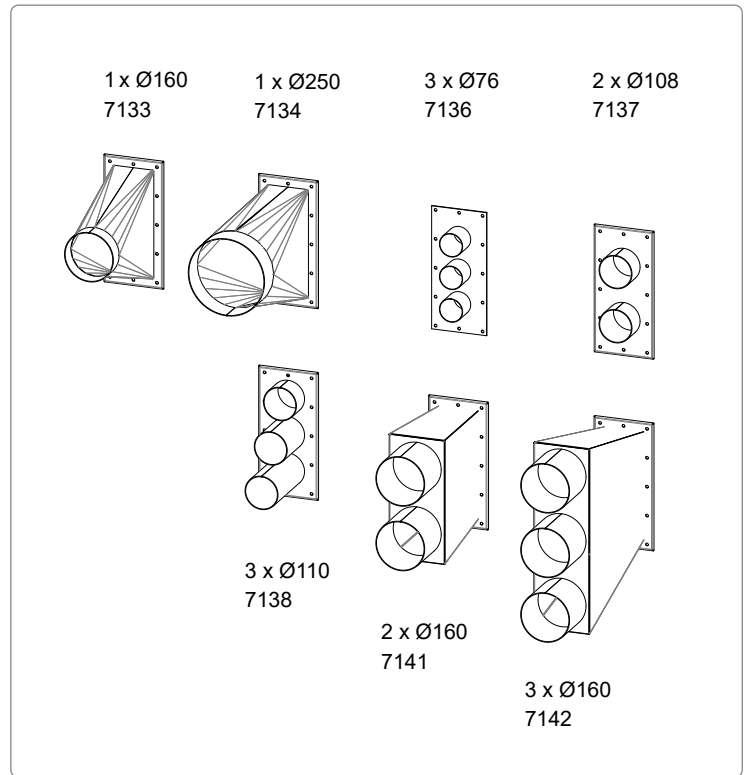
# Stationary Pre-Separators

## F 20000, F 30000

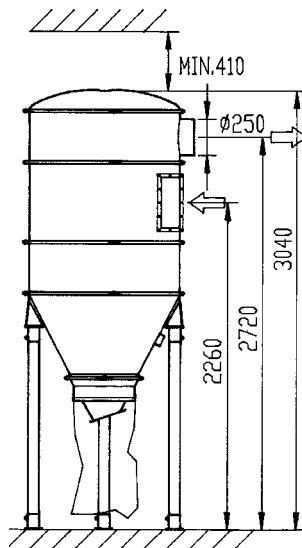
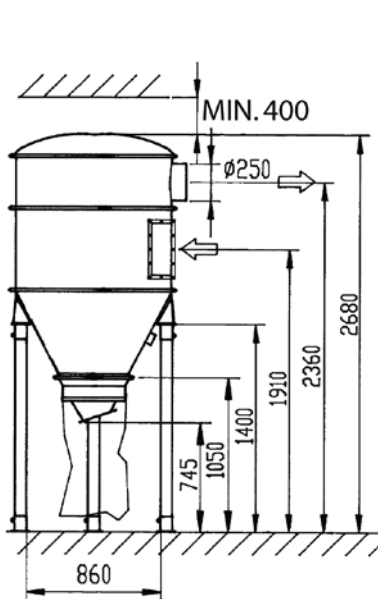
### Dimensions, Installation examples F 20000



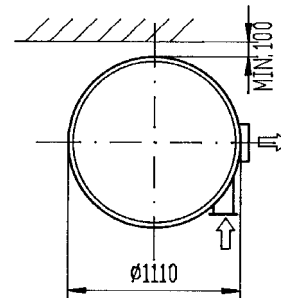
### Inlet modules for F 20000 and F 30000 (Part No)



### Dimensions, Installation examples F 30000



F 30000 with Part No 4706 Discharge Cone



F 30000 with Part No 4706 Discharge Cone and 4612 Body Module



## Output Solutions Pre-Separators

# Discharge Arrangements

F 8000, F 11000, F 20000, F 30000, S 11000, S 32000, S 34000, S 46000



### Accessories (Part No)

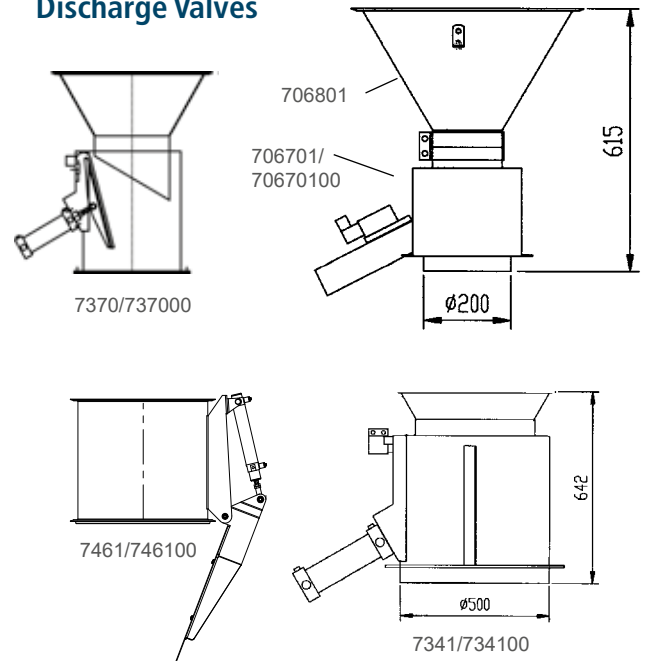
706801	Reduction Cone 400/160 mm
706701	Discharge Valve 160 mm - AC
70670100	Discharge Valve 160 mm - DC
7370	Discharge Valve 250 mm- AC
737000	Discharge Valve 250 mm- DC
7341	Discharge Valve 400 mm - AC
734100	Discharge Valve 400 mm - DC

The automatically controlled, pneumatically actuated discharge valve can discharge collected material from the separator when the system is at rest. It is used for discharge into an open container or conveyor. The material must have good flow characteristics.

7461	Auto Foot Valve 470 mm - AC
746100	Auto Foot Valve 470 mm - DC
7462	Counter Balance Foot Valve 470 mm.
741401	Manually actuated Intermediate Assembly
7131	Counter Balance for Discharge Cone (Part No 4706)
743200	Pneumatically actuated Intermediate Assembly

Part No 743200 does not include the actuator, this must be determined during the control design and ordered separately.

### Discharge Valves



### Optional configurations

In certain applications, automatic discharge during operation can be achieved by using a peristaltic airlock. Collected material can be discharged into a big bag.



# Continuous Discharge Arrangements

F 8000, F 11000, F 11000X, F 20000, F 30000, F 34000X, S 11000, S 32000, S 34000, S 46000

## Peristaltic Airlock for Discharge of Dust from Filter Cyclone and Pre-Separator

Continuous discharge of material during operation can be achieved by installing two valves in series with an intermediate receiver. The material must be of such a nature that it flows easily.



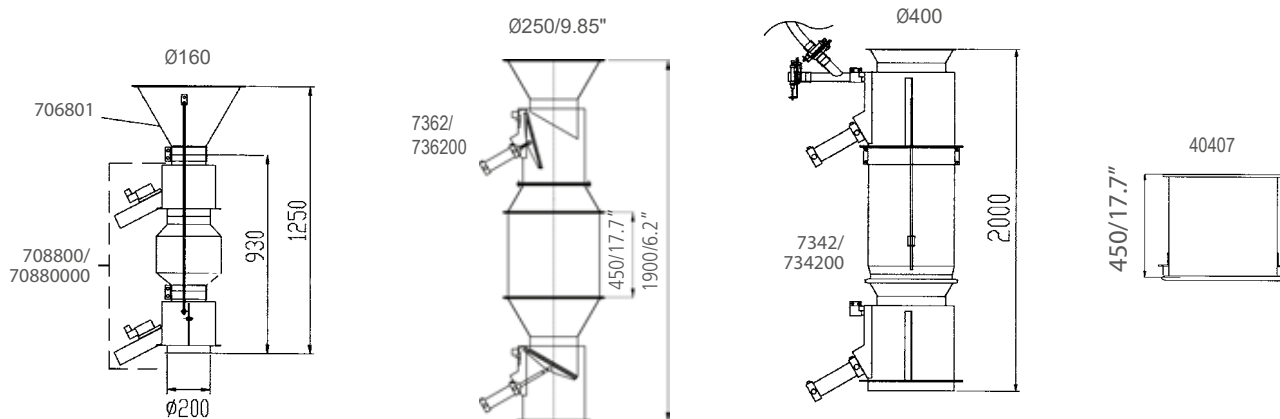
### Accessories (Part No)

- 40407 Storage Module, V=140 l
- 706801 Reduction Cone, 400/160 mm
- 708800 Peristaltic Airlock, 160 mm - AC
- 7342 Peristaltic Airlock, 400 mm - AC
- 734200 Peristaltic Airlock, 400 mm - DC
- 7362 Peristaltic Airlock, 250 mm - AC
- 736200 Peristaltic Airlock, 250 mm - DC
- 70880000 Peristaltic Airlock, 160 mm - DC

TECHNICAL DATA	Ø160	Ø250	Ø400
Volume of receiver [l/gal]	12 / 3.17	110 / 29	190 / 50
Air Consumption/cycle (5 bar/2.5 psi) [l/gal]	5 / 1.3	15 / 3.96	60 / 15.85
Solenoids 24 V DC [pcs]	2	4	4
Service interval [year]	1	1	1

(Single shift operation)

## Dimensions, Installation examples with Peristaltic Airlock

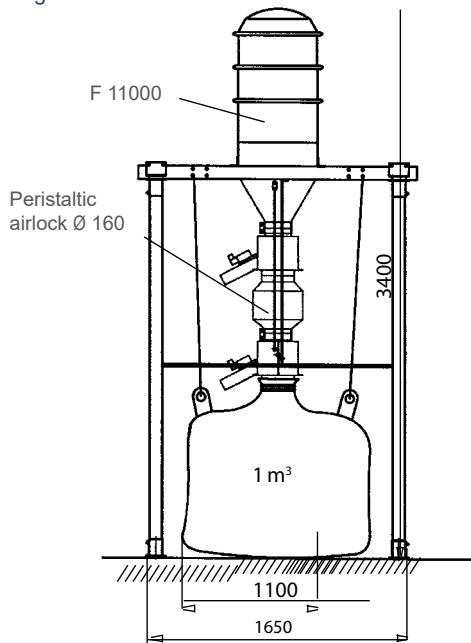


# Continuous Discharge Arrangements

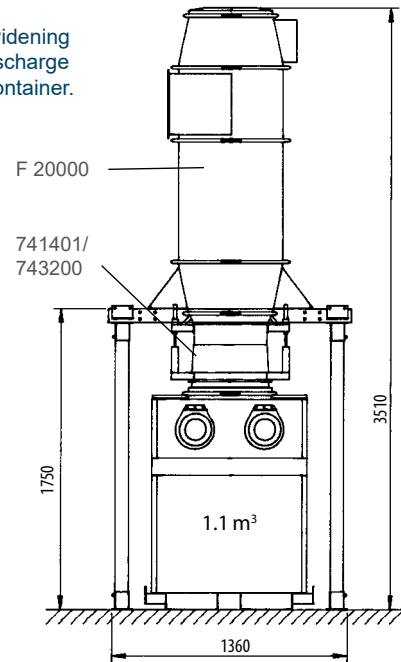
F 8000, F 11000, F 11000X, F 20000, F 30000, F 34000X, S 11000, S 32000, S 34000, S 46000

## Dimensions, Installation examples for F 11000 and F 20000

F 11000 with widening chassis into a Big Bag.



F 20000 with widening chassis and discharge into a 1.1 m³ container.





## Output Solutions Pre-Separators

# Continuous Discharge Arrangements

F 8000, F 11000, F 11000X, F 20000, F 30000, F 34000X, S 11000, S 32000, S 34000, S 46000

## Auger Compactor

This arrangement is used for material that can be compacted, e.g. paper dust and strips. Collected material is compacted and discharged into a plastic collection bag. The drive motor control should be configured to reverse for several seconds to clear occasional clogs.

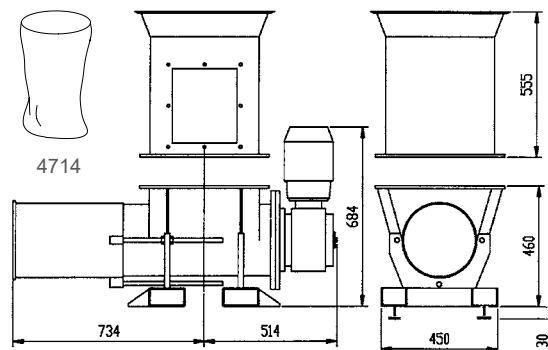
### Part No Description

4714	Collection Bag, 50 pcs
7343	Auger Compactor Connection
7065	Auger Compactor

### TECHNICAL DATA

Flange, outer [mm/in]	500x500/1102x1102
Inner [mm/in]	425x425/937x937
Weight [kg/lb]	218/481
Flow [m³/h]	2-5
Power [kW]	2.2
Voltage [V]	230/400
Negative pressure, max [kPa]	40
Service interval [h]	1500

(1st service 300 h)



Auger Compactor Connection, 7343



## Output Solutions Pre-Separators

# Small Containers

The steel collection containers are mounted directly under the cyclone by using Discharge Cones. Consider always the weight of the collected material and plan emptying of the container at suitable intervals.



### Small Containers and Accessories (Part No)

- 40656 Steel Container 40 l/10.5 gal
- 7066 Steel Container 90 l/23.8 gal
- 7159 Steel Container 110 l/29 gal, with Collection Bag
- 7368 Steel Container 75 l/19.8 gal, mobile with Collection Bag
- 7160 Steel Container 110 l/29 gal, mobile with Collection Bag
- 42111 Collection Bag, 50 pcs, antistatic for container 7159, 7368 and 7160
- 4714 Collection Bag, 50 pcs for container 7159, 7368 and 7160
- 40655 Discharge Cone for container 40656
- 4749 Discharge Cone for container 7066, 7159 and 7160
- 42813 Discharge Cone for container 7368



Small Container

### Collection Bags (Part No)



42111 Bag, antistatic



4714 Bag

### Small Containers and Discharge Cones

Note: installation of Part No 7160 requires lengthened legs on the F 20000 and F 30000.



40655



4749



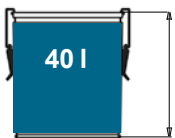
4749



42813

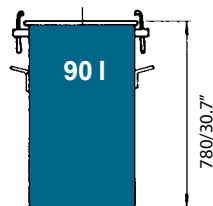


4749



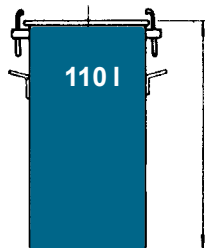
40 l

40656



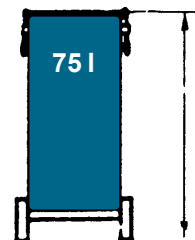
90 l

7066



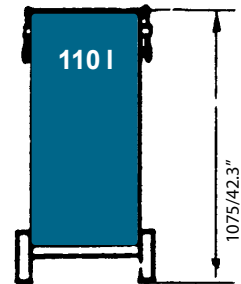
110 l

7159



75 l

7368



110 l

7160

## Output Solutions Pre-Separators

# Tipping Containers 0.6 m<sup>3</sup>, 1.1 m<sup>3</sup>, 2.5 m<sup>3</sup>

Tipping containers are sealed to the cyclone bottom cone with an intermediate connection and adapter. A widening chassis must be used to install the cyclone to accommodate the width of the container.

Tipping containers can be used as gravity separators by equipping the container with a divider plate and installing inlet/outlet connections on the container's rear wall. Inertial separation is particularly suited to the separation of larger quantities of coarse material.

The baffle, 7439, is installed internally in the container between the inlet and outlet. The containers are tip-dump style and should be handled with a forklift truck. These containers can be equipped with casters.



Tipping Container

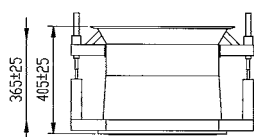
### Part No Description

7196	Tipping Container, 0.6 m <sup>3</sup> /0.78 yd <sup>3</sup>
7197	Tipping Container, 1.1 m <sup>3</sup> /1.44 yd <sup>3</sup>
7198	Tipping Container, 2.5 m <sup>3</sup> /3.27 yd <sup>3</sup>

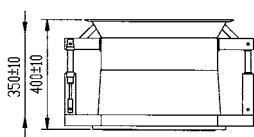


### Accessories (Part No)

- 743200 Automatic Intermediate Connection
- 7433 Adapter 442/11000 Module
- 741401 Manual Intermediate Connection



741401



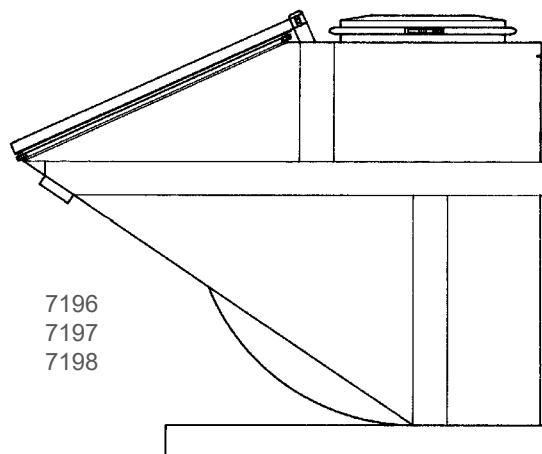
743200



7439



7433



7196  
7197  
7198



## Output Solutions Pre-Separators

# Tipping Containers 0.6 m<sup>3</sup>, 1.1 m<sup>3</sup>, 2.5 m<sup>3</sup>

TECHNICAL DATA	Collection [m <sup>3</sup> /yd <sup>3</sup> ]	Filling [m <sup>3</sup> /yd <sup>3</sup> ]	Volume [kg/lb]	Max-pressure [kPa]	A	B	C	E	F	G	H	J	K	L
7196	0.6/0.78	0.3/0.39	240/529	40	100	1076	X160	300	730	935	1180	200	1250	1590
7197	1.1/1.44	0.6/0.78	350/772	40	100	1096	X160	300	730	1050	1295	200	1550	1800
7198	2.5/3.27	1.3/1.7	570/1257	40	100	1276	X160	300	730	1225	1470	200	1550	2180

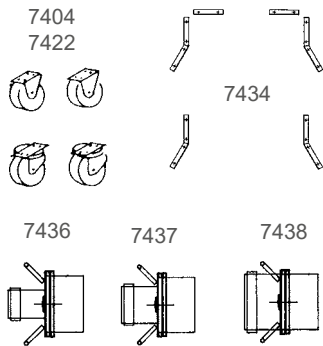


### Accessories for Tipping Containers (Part No)

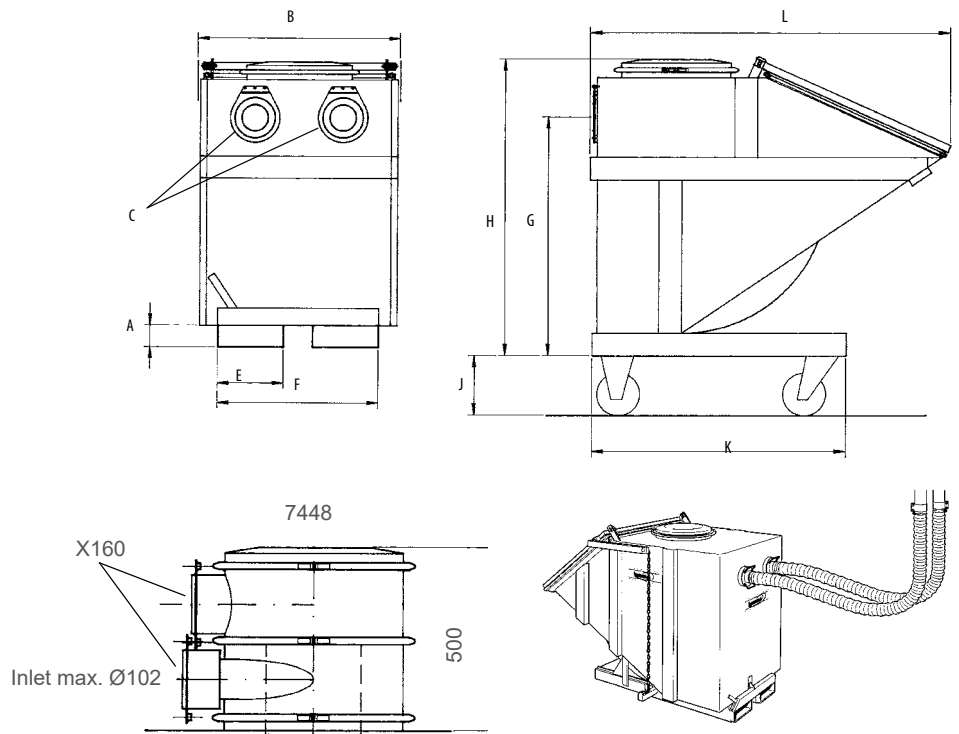
- 7448 Cyclone Top
- 7404 Caster Set (4 pcs)
- 7422 Caster Set (4 pcs)
- 7434 Container Guide Rails
- 7436 Hose Nipple, 76/X159
- 7437 Hose Nipple, 102/X159
- 7438 Hose Nipple, 152/X159

Accessories; bottom screen, drain cock and level sensing available by special order.

### Accessories for Tipping Containers (Part No)



### Dimensions, Installation examples Tipping Containers



When the container is configured as an inertial separator, two hoses are connected to the rear wall of the container. Material is separated with inertial action as air entering the container changes direction abruptly.

### Recommended Air flow

[m <sup>3</sup> /h]	Connection Ø [mm/in]	Type [m <sup>3</sup> ]
250-500	76/3	0.6; 1.1; 2.5
400-900	102/4	1.1; 2.5
900-2000	152/6	2.5

## Output Solutions Pre-Separators

# Large Containers Customised Solutions

By installing inlet/outlet connections on larger containers (4-20 m<sup>3</sup>) an efficient gravity separator is achieved. Separation and containment of extracted waste directly in a closed container is a desirable handling method for a variety of reasons. Among these is that the system remains closed and that the handling of the waste can be done both rationally and economically.

These containers can also be used as discharge arrangements for cyclones – direct connection from the separator mounted over the container.

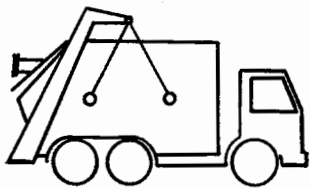
A vacuum waste container is an integral part of the extraction system and must be designed for the negative pressure.

Different regions and waste handlers will have different handling systems, the illustrations below show several different prevalent variations.

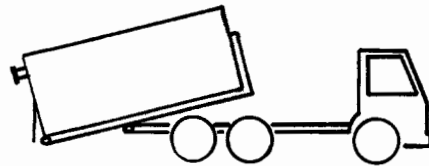
The exact type and dimensions of that type are often determined in cooperation with the contracted waste handler. Dustcontrol can build your bespoke container.

The following factors will have a bearing on the selection of container type:

- 1) Tipping cost.
- 2) Tipping in a truck or removal.
- 3) Distance to tipping site.
- 4) Density and weight of the separated material.
- 5) Permits required for dumping of collected material (degree of hazard classification).
- 6) Time for removal of container and the need for two containers.
- 7) Physical placement of the container, is it accessible for the handling truck?



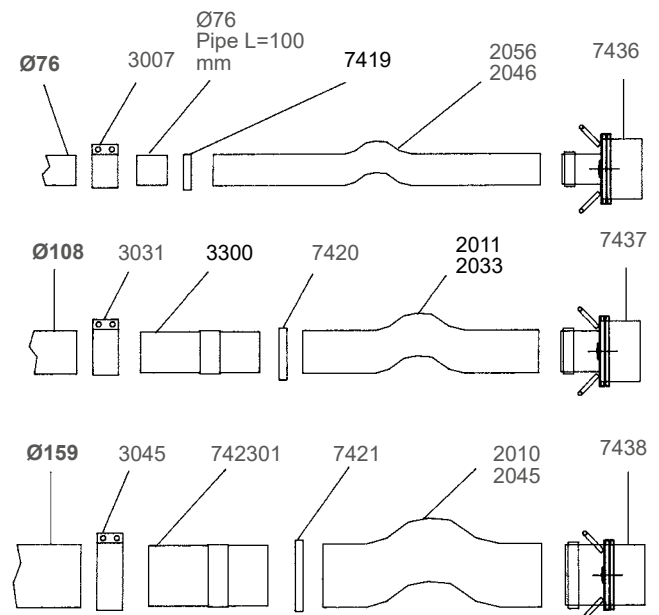
Luger Lift



Roll Off Container

## + Accessories for Large Containers (Part No)

2010	Suction Hose Ø152, std
2011	Suction Hose Ø102, std
2033	Suction Hose Ø102 extra abrasion resistant
2045	Suction Hose Ø152 extra abrasion resistant
2046	Suction Hose Ø76 extra abrasion resistant
2056	Suction Hose Ø76 PU
3007	Joint Ø76
3031	Joint Ø108
3045	Joint Ø160
3300	Pipe fitting Ø108/102
7404	Wheel Set, 4 wheels
7419	HD Hose Clamp Ø76
7420	HD Hose Clamp Ø102
7421	HD Hose Clamp Ø160
7422	Wheel Set 2.5 m <sup>3</sup>
742301	Pipe fitting Ø160/152
7436	Hose fitting Ø76/X160
7437	Hose fitting Ø102/X160
7438	Hose fitting Ø152/X160
7448	Cyclone Top



Optional accessories: Bottom grate, drain valve, tip sensor and level sensor, can be especially ordered.

Healthy Business

Dustcontrol<sup>®</sup>

## Compact Vacuum Systems

Substantial savings can be realised by installing a compact central vacuum system from Dustcontrol. For example, all grinders and finishing tools in a production facility are equipped with suction casings and connected to a central vacuum system. Capture of the dust at source contributes to an improved working environment, higher productivity, shorter clean-up, cleaner process and improved product quality.



# About Compact Vacuum Systems

## 1 Vacuum Producer

The vacuum producer is a belt/direct-driven turbo pump. It is highly durable and has minimal service requirements. The characteristic of this type of vacuum producer makes it excellent for use with a VFD (Variable Frequency Drive). With the VFD option the performance capacity will be optimised.

## 2 Filter Unit

The filter unit separates the larger particles in the cyclone and the finer dust in the pleated conical filter. The filter is cleaned very effectively with reverse pulse. The filter unit separates everything from fine dust to chips and fluids.

## 3 Control Panel

The electrical function is built into the machine. The unit is started manually with a start button, automatically when any of the extraction points are opened and microswitches are used or by clock control. Filter cleaning is automatic after shutdown of the vacuum. With the DC Green System option you get on-demand control for saving energy. You can also choose if the unit should be a fixed installation or mobile and be delivered with a Euro connection.

## 4 HEPA Filters

The fine filter separates a large quantity of the fine dust, but has a limited efficiency on the smallest particulate. In order to capture this particulate, the unit should be equipped with a HEPA filter. We always recommend that a HEPA filter be used when the system air is returned to the plant environment. With designated or hazardous dust we recommend the use of a HEPA filter even if the system air is to be vented out of the plant. (Note: Always be aware of and comply with local regulations.)



## 5 Outlet/Exhaust

For fixed installed extraction systems it is always recommended to exhaust the air out of the building if a HEPA is not used. In doing that, all residual particulate and any gases extracted are expelled from the building. With the help of a HEPA filter, almost all the particles can be eliminated. In a large plant, exhausting to atmosphere can sometimes be difficult. In these cases exhaust directly at the unit can be considered. Extra duct work and optional silencing is available to suit the installation.

## 6 Discharge of Material

Discharge of dust, fluids and heavy material is done under the cyclone. A number of different solutions can be chosen. The most common is plastic bag or container. Containers are available with a variety of volumes.

## 7 Mobile Unit

The DC 11-Module is designed with a pallet format chassis so it can easily be moved with a fork truck or pallet jack. By choosing to equip the unit with wheels and handle, a mobile unit is created that even with its large size and weight, is possible to move easily by hand on the production floor. There is also the possibility to create a semi-mobile unit where the unit is configured as a portable but docked to an installed tubing system. When it is required elsewhere, un-dock it, and wheel it away.

## Compact Vacuum Systems

# DC 11-Module

The DC 11-Module is a complete central unit for source extraction and industrial cleaning. The unit can manage just about every kind of dust and chip you can imagine and, when properly equipped, your coolants and emulsions too. With the DC 11-Module, we deliver a complete central unit from the factory, plug and play – easy to install. We tailor it exactly to your specific needs. This is possible due to an options based selection process. The DC 11-Module has been designed to produce more capacity and service up to six normal extraction points or several cleaning outlets at a time.

Need a HEPA filter? – Just select it as an optional extra. The discharge system can be chosen in accordance with the material to be handled, making it easy for your people to maintain their equipment. The DC 11-Module is also suitable for source extraction and general cleaning in smaller production areas. Note that the unit can connect to many extraction points, as long as the number of users does not exceed the maximum capacity.

For energy saving and reliable remote activation of operation, the DC 11-Module is also available with the DC Green System.



Visit [www.dustcontrol.com](http://www.dustcontrol.com) search **DC Green System** – for further info regarding your energy savings.



## Optimised Stand-Alone Unit

The design of a source extraction system is always based on the specific need at each work place. It is then possible to design and install a central unit for several, or many, extraction points. Alternatively, maybe a stand-alone unit for a particular area is the best choice.

The advantage with stand-alone solutions is that you attain cleaner production one step at a time – as production requires it and as budget allows it. The DC 11-Module becomes part of the work cell or production machine and can be part of the flexibility of modern lean manufacturing and fast change-overs from part to part.

The DC 11-Module is developed to fulfil the demands of a local solution.



Dustcontrol  
DC 11-Module

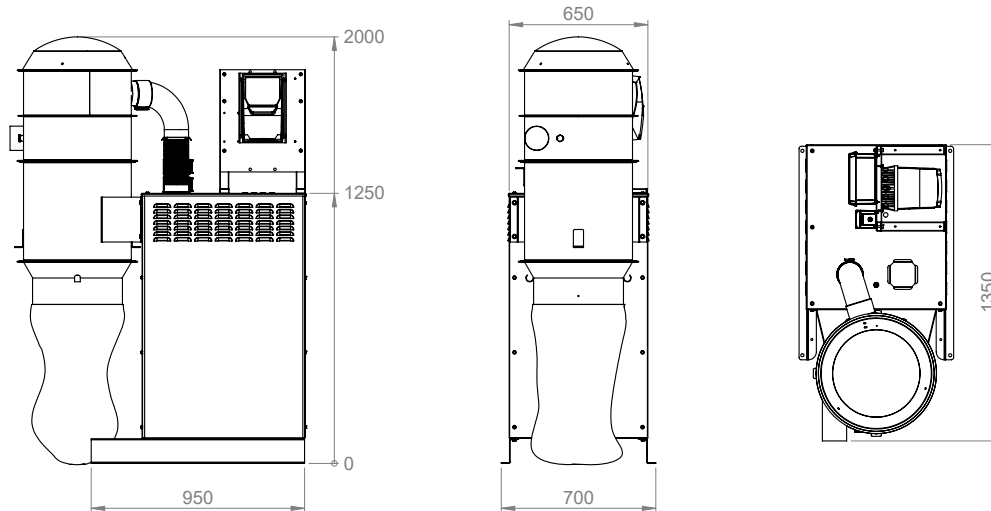


Dustcontrol Part no 4613



# DC 11-Module Standard

### Dimensions, installation examples, DC 11-Module Standard



#### Air pulse filter cleaning

Air consumption [l/s /bar]	4 l/s, 4 bar
Hose connection [mm/in]	6/0.23



#### Filter material in pleated polyester

All models

Part No	4292
Total filter surface [m <sup>2</sup> ]	8.4
Degree of separation EN 60335-2-69 part 1 [%]	> 99.9

### DC 11-Module Standard Models

TECHNICAL DATA	5.5 kW	7.5 kW	10 hp	11 kW P	15 hp	11 kW S	15 hp
Motor [Hz]	50	50	60	50	60	50	60
Pump [rpm]	3000	3000	3600	3000	3600	3000	3600
Inlet Ø [mm/in]	108/4.2	108/4.2	108/4.2	108/4.2	108/4.2	108/4.2	108/4.2
Outlet Ø [mm/in]	100/3.9	100/3.9	100/3.9	100/3.9	100/3.9	100/3.9	100/3.9
Max dp [kPa]	22	22-18	22	22	20	40	43
Nominal pressure [kPa]	18	18-17	18	18	18	30	32
Flow [m <sup>3</sup> /h/cfm]	450/265	450-550/265-324	500/295	800/470	850/500	450/265	560/330
Weight [kg/lb]	200/441	225/496	225/496	260/573	260/573	250/551	250/551
Sound level 1 m [dB(A)]	65	65*	65*	65	65	65	65
Sound level with frequency inverter [dB(A)]		60-65**		61-67**		61-67**	

\* Sound level with extra silencer on the outlet 5 dB(A) lower the given figure.

\*\* At 50 Hz the sound level is 67 dB(A).

# Options DC 11-Module

Part Numbers Example

14123 6 1 0Q 1 0

↑ ↑ ↑ ↑ ↑

Base unit Filter Discharge Design Options

## DC 11-Module

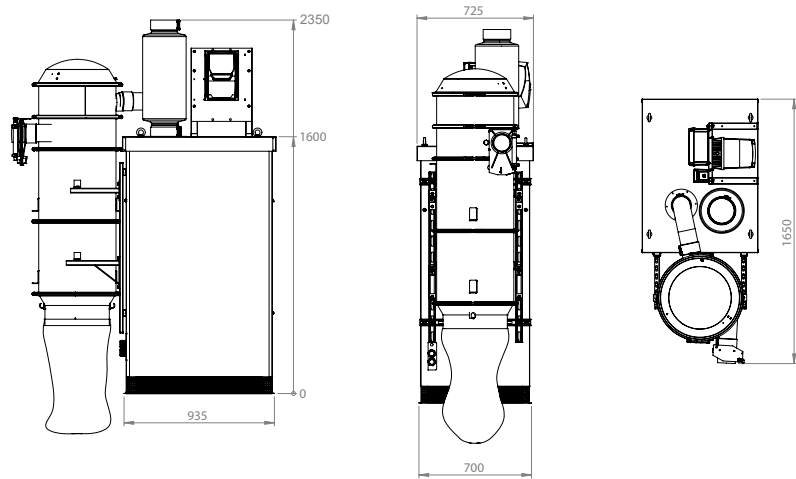
TECHNICAL DATA	BASE UNIT	FILTER	DISCHARGE	CONFIGURATION	SPECIAL
DC 11-Module 5.5 kW 400 V 50 Hz without any panel	141236				
DC 11-Module 5.5 kW 400 V 50 Hz VFD	14123B				
DC 11-Module 7.5 kW 400 V 50 Hz without any panel	141246				
DC 11-Module 7.5 kW 400 VFD	14124B				
DC 11-Module 7.5 kW 380-480 V 50/60 Hz Green System	14124N				
DC 11-Module 10 hp 230/460 V 60 Hz without any panel	1412FA				
DC 11-Module 10 hp 600 V 60 Hz without any panel	1412CA				
DC 11-Module 11 kW P 400 V 50 Hz without any panel	141466				
DC 11-Module 11 kW P 380-480 V 50/60 Hz VFD	14146B				
DC 11-Module 11 kW P 380-480 V 50/60 Hz Green System	14146N				
DC 11-Module 11 kW S 400 V 50 Hz without any panel	141366				
DC 11-Module 11 kW S 380-480 V 50/60 Hz VFD	14136B				
DC 11-Module 15 hp P 460 V 60 Hz without any panel	1414P9				
DC 11-Module 15 hp S 460 V 60 Hz without any panel	1413P9				
DC 11-Module 15 kW P 600 V 60 Hz without any panel	1414CA				
<b>FILTER OPTIONS</b>					
Standard		0			
With HEPA		1			
PTFE		3			
<b>DISCHARGE</b>					
Output in plastic bag (discharge cone 4706)			0 1		
Container 40 l; steel, blue			0 H		
Container 55 l; steel, blue			0 Q		
Container 75 l; with plastic bag and wheel			21		
<b>DESIGN</b>					
Compressed air filter cleaning				1	
<b>OPTIONS</b>					
Standard					0
Euro connection*					1

\* Not for 11 kW/15 HP

## DC 11-Module XL

The DC 11-Module XL provides you with the same plug-and-play approach as its smaller sisters. It is equipped with the renowned S 11000X filter unit and for the vacuum provider you can choose between the 15 kW (20 hp) TPR40 or the 18.5 kW (25 hp) TPR43. Discharge is optionally into a bag or 40 l container.

### Dimensions, installation examples, DC 11-Module XL



### Part No DC 11-Module XL

<b>151100</b>	DC 11-Module XL 15 kW, 400V/50 Hz, bag, without control panel	<b>153100</b>	DC 11-Module XL 18,5 kW, 400V/50 Hz, bag, without control panel
<b>151130</b>	DC 11-Module XL 15 kW, 400V/50 Hz, bag, with control panel	<b>153130</b>	DC 11-Module XL 18,5 kW, 400V/50 Hz, bag, with control panel
<b>151120</b>	DC 11-Module XL 15 kW, 400V/50 Hz, bag, Green System	<b>153120</b>	DC 11-Module XL 18,5 kW, 400V/50 Hz, bag, Green System
<b>151200</b>	DC 11-Module XL 15 kW, 400V/50 Hz, 40 l, container, without control panel	<b>153200</b>	DC 11-Module XL 18,5 kW, 400V/50 Hz, 40 l, container, without control panel
<b>151230</b>	DC 11-Module XL 15 kW, 400V/50 Hz, 40 l, container, with control panel	<b>153230</b>	DC 11-Module XL 18,5 kW, 400V/50 Hz, 40 l, container, with control panel
<b>151220</b>	DC 11-Module XL 15 kW, 400V/50 Hz, 40 l, container, Green System	<b>153220</b>	DC 11-Module XL 18,5 kW, 400V/50 Hz, 40 l, container, Green System
<b>152100</b>	DC 11-Module XL 20 hp, 460V/60 Hz, bag, without control panel	<b>154100</b>	DC 11-Module XL 25 hp, 460V/60 Hz, bag, without control panel
<b>152200</b>	DC 11-Module XL 20 hp, 460V/60 Hz, 40 l, container, without control panel	<b>154200</b>	DC 11-Module XL 25 hp 460V/60 Hz, 40 l, container, without control panel

### DC 11-Module XL

TECHNICAL DATA	15 kW	20 hp	18.5 kW S	25 hp
Motor [Hz]	50	60	50	60
Pump [rpm]	4000	4000	4300	4300
Inlet Ø [mm/in]	108/4.2	108/4.2	108/4.2	108/4.2
Outlet Ø [mm/in]	160/6.2	160/6.2	160/6.2	160/6.2
Max dp [kPa]	26*	28	28*	28
Nominal pressure [kPa]	20	20	20	20
Flow [m³/h/cfm]	1000/589	1000/589	1000/589	1000/589
Sound level 1 m [dB(A)]	66	66	66	66

\* DC Green System max 22 kPa

### Compact Central Units

AIR FLOW* [m³/h/cfm]	Vacuum level required	Select unit
≤ 200/118	normal	DC 3800 Stationary
600-800/353-470	normal	DC 11-Module 5.5/7.5 kW
200-400/118-235	large	DC 11-Module 11 kW S

\* Always consider dust type and filter loading as above.



### Filter material in pleated polyester

All models

Part No	4284
Total filter surface [m²]	12
Degree of separation EN 60335-2-69 part 1 [%]	> 99.9



## Compact Vacuum Systems

# DC 3800 Stationary

3-phase

The DC 3800 Stationary Package is intended for installations in (for example) industrial premises, garage workshops and schools. The dust separator and turbopump are mounted on a common chassis.

The DC 3800 Stationary Package has flow capacity for one workplace at a time, for example a 6" cup stone or cleaning with 38 mm attachments. The filter is cleaned manually with a patented reverse pulse mechanism. The unit can be equipped with a vacuum relief valve to allow cooling air to the pump if all outlets are closed. The package is complete with tubing in three metre lengths, bends, branch pipes and connection joints.

Installation is simple and the tubing system is easily adaptable to most sites. Starting and stopping of the central unit occurs automatically. Starting occurs when any of the outlets are opened. The central unit will shut down when all the outlets are closed.

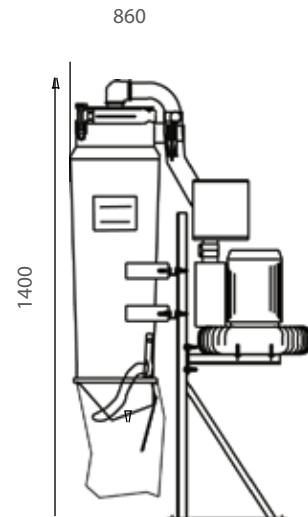


### Part No Description

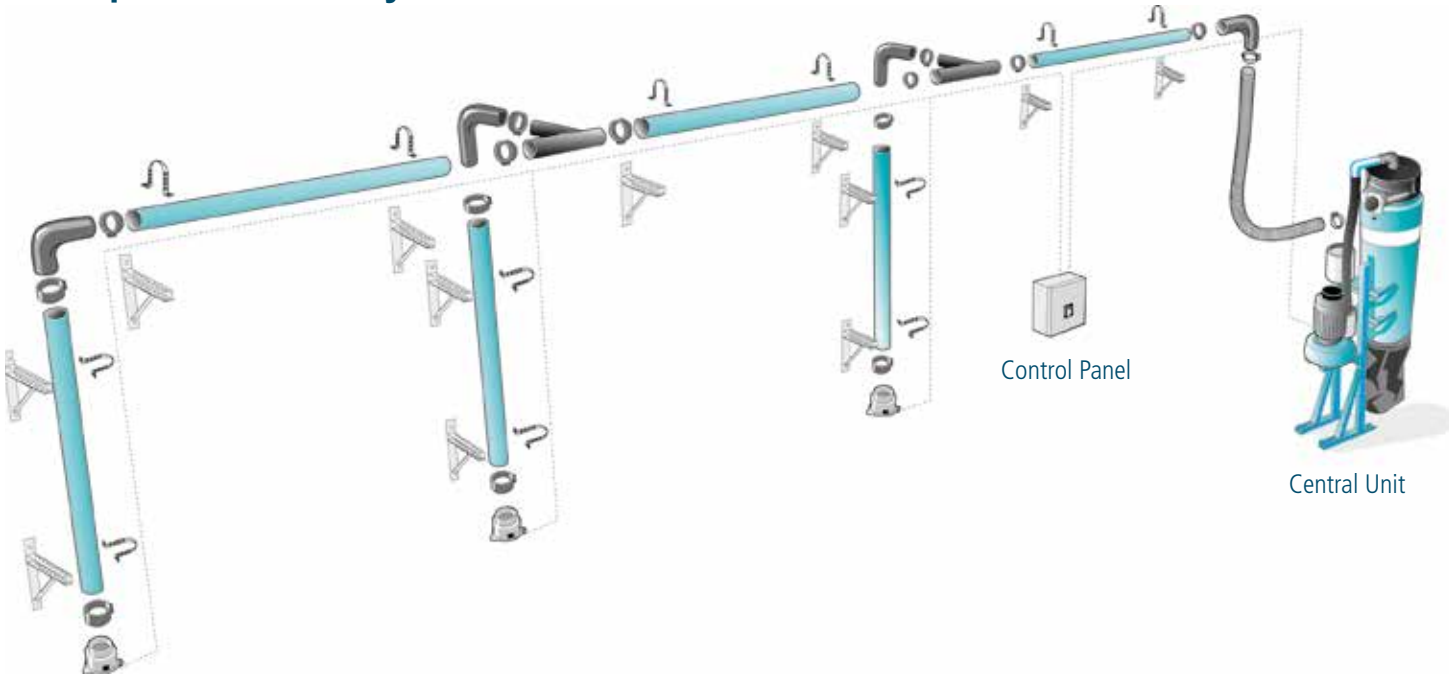
114700	DC 3800 STAT, 2.2 kW, 220/ 380V, Package, EU ☒
117400	DC 3800 STAT, 2.2 kW, 220/ 380 V, EU ☒
117408	DC 3800 STAT, 4 hp, 460V/ 60 Hz, UL,USA
118500	DC 3800 STAT, 2.2 kW, Automatic filter cleaning, 220/ 380 V
118504	DC 3800 STAT, Automatic filter cleaning, 460V/ 60 Hz, UL,USA
4314	Plastic Bag 30 l, 50 pcs

## DC 3800 Stationary

TECHNICAL DATA	50 Hz	60 Hz
Height [mm/in]	1400/55.1	1400/55.1
Width [mm/in]	400/15.7	400/15.7
Length Ø [mm/in]	860/33.8	860/33.8
Weight [kg/lb]	50/110.2	50/110.2
Inlet/outlet Ø [mm/in]	50/2	50/2
Flow max, open inlet [m³/h/cfm]	260/153	320/188.3
Negative pressure, max [kPa]	20	21
Power [kW/hp]	2.2/2.9	3/4
Filter area, fine filter [m²]	1.8	1.8
Degree of separation [%]	> 99.9	> 99.9
Collection container [l/gal]	30/7.9	30/7.9
Sound level [dB(A)]	< 75	< 75



# Compact Vacuum Systems



## DC 3800 Stationary Package, Part No 114700

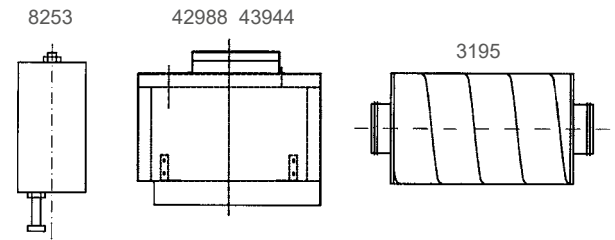
TECHNICAL DATA	Part No	Qty
DC 3800 Stationary 230 /400V /50 Hz /2.2 kW 117400	117400	1
<b>Control systems</b>		
Control Panel 400V /50 Hz /2.2 kW	8117	1
<b>Connection Point</b>		
Flap Valve Ø50 with micro switch	8433	3
<b>Tubing system</b>		
Pipe Ø50 (L=3 m)	3071	6
Bend Ø50, 90°	3310	4
Bend Ø50, 45°	307311	2
Bend Ø50, 45°	3312	2
Joint Ø50	3077	8
Branch pipe 50/50	307411	2
Coupling socket 50/50	2107	2
Hose Ø50 (L=5 m)	240105	1
Hose clamp 50-65	4219	2
Bracket 300	3008	12
Clamping band Ø50	3107	12
Ceiling attachment (L=2 m)	9622	2

The two conductor cable for 24 V is not included in the package (electrical and connection schematic are included with the panel).

### + Accessories (Part No)

- 3195 Silencer 80 mm 300/180
- 42024 HEPA Filter DC 3800/3900
- 42988 Silencing Cover for TED 36 3 kW/4 hp
- 43944 Silencing Cover for TED 30 2,5 kW
- 8132 Panel for remote start auto filter cleaning
- 8253 Vacuum Relief Valve 50 mm
- 8132 Starter DC 3800 Stationary 2.2 kW/400V

### Accessories (Part No)



## The DC 3800 Package consists of



## Compact Vacuum Systems

# DC Box

The DC Box is an especially designed dust extraction cabinet that protects against hazardous dust during decontamination and cleaning before servicing or repairing machines and tools. The DC Box is equipped with a blow gun and a suction hose for vacuum cleaning. Larger particles and debris fall down into a plastic bag attached to the bottom of the cabinet.

The DC Box is easy to work with. Tools and machines are placed onto the rotating worktable and slid in through the side door. These are then cleaned either by vacuuming or using compressed air. The fine dust is vacuumed up and transported away via a tubing system to a complete central unit located either in or outdoors. The size of the central unit and dimensioning of the tubing system is tailored to the needs of the customer. The system can be expanded so that it can also be used as a central extraction system with connections that are easily accessible across the entire worksite.

## Standard or Custom?

The DC Box is available in two versions: Standard and Custom:

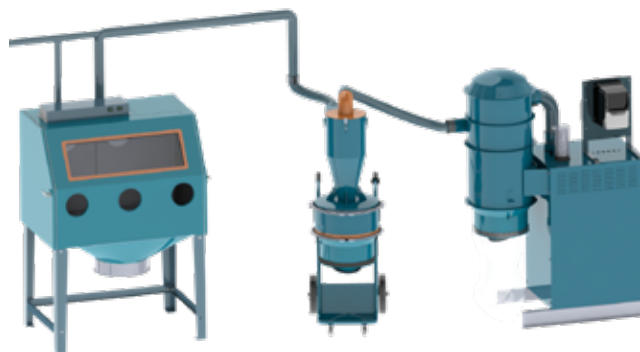
The **DC Box Standard** is the ideal solution for most users. Equipped with a pre-separator and DC 11-Module 11 kW p/15 hp central unit.

**DC Box Custom.** If you want to be able to roll taller equipment directly into the cabinet for decontamination, then the DC Box Custom is the solution for you. DC Box Custom is customised after your requirements.

### Part No Description

7470	DC Box
42014	Trolley
7999	DC Box Custom

Contact our sales representative for a quotation DC Box Custom.



DC Box

DCF Tromb

DC 11-Module

## Installation example for DC Box Standard



Compressed air connection and blow gun nozzle.  
Suction hose for easy cleaning inside the cabinet.



## Compact Vacuum Systems

# DC Box Standard

### Part No Description

7470	DC Box
42014	Trolley
7074	DCF Mobile Pre-Separator
14146B10110	DC 11-Module/11kW P, 400V /50Hz, EU. Base panel incl.
14149P10110	DC 11-Module/15 hp, 460V /60Hz, US/CAN. Panel not incl. (Tubing system in accordance with separate specification)

Contact your sales representative for correct dimensioning and a quotation for DC Box Standard.

TECHNICAL DATA	DC Box Standard
HxWxD [mm/in]	1800x1200x800/71x48x32
Weight [kg/lb]	160/353
Inlet/Outlet Ø [mm/in]	76/3
Hose length [m/ft]	2/6.5

TECHNICAL DATA	DC 11-Module 11 kW P/15hp
HxWxD [mm/in]	1800x1000x1300 /71x40x51
Weight [kg/lb]	260/573
Inlet/Outlet Ø [mm/in]	108/7
Filter cleaning require regulated 4 bar clean, dry air [l/s /gph]	4/3 /804
Flow max, fan, EU [m³/h]	800
Flow max, fan, US/CAN [cfm]	471
Negative pressure, max, EU [kPa]	22
Negative pressure, max, US/CAN [inwg]	88
Filter area [m² /ft²]	8.4 /90.4
Degree of separation [%]	>99.9
Sound level [dB(A)]	60-63



DC Box by Dustcontrol



DC Box Standard



DC Box Custom



Healthy Business

Dustcontrol<sup>®</sup>

# Tubing System

The tubing system transports the material from the point of collection to the central unit. Dustcontrol has a very comprehensive assortment of tubing fittings and installation hardware. This gives greater flexibility in design and installation of our tubing systems. Our mechanical jointing system makes alterations and additions very easy to implement.

# About Tubing System

The tubing system transports the material from the point of collection to the central unit. Dust is generally abrasive, some more than others, therefore the standard material thickness of the tubing system is 1.5 mm. Applications with fume and light dust use reinforced spiral duct. Stainless tubing systems and extra abrasion resistant fittings are available.

Dustcontrol has a very comprehensive assortment of tubing fittings and installation hardware. This gives greater flexibility in design and installation of our tubing systems. Our mechanical jointing system makes alterations and additions very easy to implement.

Bends and branch pipes are designed to withstand high negative pressure. The bends are designed with a radial ridge to spread the impact area of the material thereby reducing wear and minimising the risk of blockage.

An effective tubing system has to meet certain requirements. Constant transport velocity in the tubing at different loads is one requirement. Correct transport velocity is another. When the velocity is too low, the material will cause a blockage. When the velocity is too high, this will lead to unnecessary wear and loss of energy. Dustcontrol can dimension the system to your needs.

## Tubing System details

### Steel Tubing

Our standard tubing system is of zinc coated carbon steel tubing and is used at 90 % of all Dustcontrol installations. Heavy wall thickness results in long life even in installations where considerable abrasion is present.

### Stainless Steel Tubing

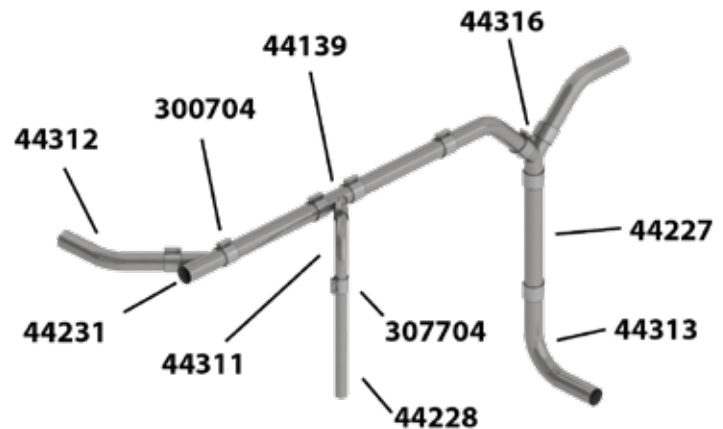
Stainless tubing is used with abrasive materials or because of hygienic considerations. When installed for material transportation, long radius bends should be used.

### Reinforced Spiro Tubing

Spiro tubing is used most commonly for the connection of the central unit components, vacuum producer, filter unit and pre-separator. Spiro is not generally suitable for application with coarse and abrasive material but is commonly used in extraction systems for vapour, fume and light dust.

### Mounting Hardware

Dustcontrol has a complete range of mounting hardware facilitating straightforward installation as well as changes.



## Select the right Tubing System

MATERIAL TRANSPORT	Air flow [m³/h]	Tube dimension [mm]	Description
Dust, coarse and heavy material 20-40 m/s	100-260	Ø50*	Steel Tubing
	300-600	Ø76	Steel Tubing
	600-1200	Ø108	Steel Tubing
	1200-2600	Ø159	Steel Tubing
Fume, vapour and clean air 12-20 m/s	180-320	Ø76	Steel Tubing
	320-550	Ø100	Reinforced Spiral Tubing
	370-620	Ø108	Steel Tubing
	510-850	Ø125	Reinforced Spiral Tubing
	840-1400	Ø159 / Ø160	Steel Tubing/ Reinforced Spiral Tubing
	1300-2200	Ø200	Reinforced Spiral Tubing
	2100-3500	Ø250	Reinforced Spiral Tubing

\*) In most systems, 76 mm should be selected as the smallest tube diameter. In systems where a small air-flow is desired or installation is more easily facilitated should 50 mm be used.

## Polymer Tubing System

When transporting material in a tubing system turbulent flow will cause noise. Material particles impact the hard tubing walls. Using an polymer (EPDM- and NBR-rubber) in bends, branch pipes and mounting brackets moderates the sound considerably. Every polymer bend and branch pipe are designed with a plugged hole that can be used for measuring and inspection.

Cones, branch pipes and bends are manufactured in EPDM- and NBR-rubber. The components are abrasion resistant and sound absorbing.

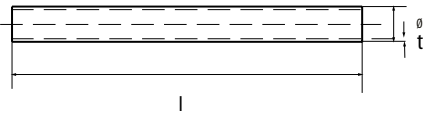


# Tubing Systems

## Steel Tubing

Dustcontrol pipes are zinc coated carbon steel. The material density gives the pipes a long life. All measurements are in millimetres if nothing else is given.

### Tubing

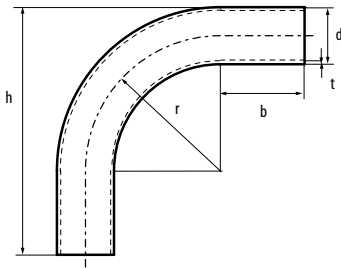


Part No	Desc	d	l (m)	t	Weight
3071	Ø50	50.8	3	1.5	1.8
3340**	Ø50	50.8	0.135	1.5	1.8
3004*	Ø76	76	3	1.5	2.6
3341**	Ø76	76	0.135	1.5	2.6
3039*	Ø108	108	3	2.0	3.9
3342**	Ø108	108	0.135	1.5	3.9
3060	Ø159	159	3	1.5	7.7

\*) Bundle of 6 m lengths: Ø76 Part No 3943 (total 144 m); Ø108 Part No 3944 (total 114 m)

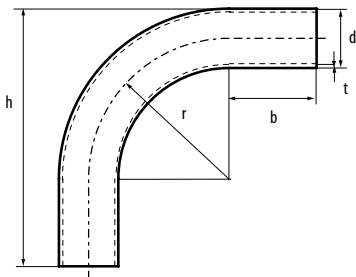
\*\*) Tube stub required when mounting a 45° bend directly to a branch pipe (only in polymer system)

### Bend 90°



Part No	Desc	d	r	b	h	t	Weight
3310	Ø50	50.8	120	75	220	1.5	0.6
3309	Ø50	50.8	85	75	185	1.5	0.3
3117	Ø50	50.8	50	-	115	1.5	0.3
3118	Ø76	76	65	-	150	1.5	0.6
3311	Ø76	76	160	180	313	1.5	1.3
3005	Ø76	76	175	-	213	2.9	1.45
3319	Ø108	108	160	165	380	2.0	3.0
3061	Ø159	159	375	-	455	4.5	10.1

### Bend 90°, extended



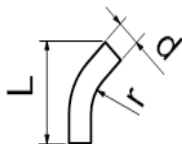
Part No	Desc	d	r	b	t	Weight
3169	Ø76	76	175	150	2.9	3.0
3165	Ø108	108	250	150	3.6	6.5
3161	Ø159	159	375	150	4.5	15.3

# Tubing System

## Steel Tubing

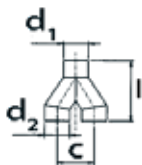
Our standard tubing system is made of zinc coated carbon steel and is used on 90 % of all Dustcontrol's systems. Heavy wall thickness results in long life even with systems where considerable abrasion is present.

### Bend 45°



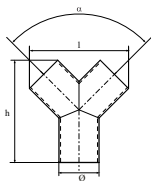
Part No	Desc	d	r	l	t	Weight
3312	Ø50	50	120	228	1.5	0.4
3317	Ø76	76	160	333	1.5	0.9
3009	Ø76	76	175	158	2.9	0.8
3321	Ø108	108	160	433	2.0	2.4
3062	Ø159	159	375	166.5	4.5	5.3

### Split pipe



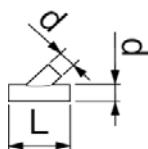
Part No	Desc	d1	d2	c	h	t	Weight
3067	Ø159/159	159	159	230	458	2.0	6.0

### Y-pipe



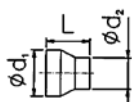
Part No	Desc	d	$\alpha$	l	h	t	Weight
3324	Ø50	50.8	90°	150	175	1.5	0.4
3323	Ø76	76	90°	190	195	1.5	0.7
3322	Ø108	108	90°	235	225	2.0	1.4
3066	Ø159	159	180°	850	485	2.0	6.0

### Branch pipe



Part No	Desc	d1	$\alpha$	l	t	Weight
3074	Ø50	51	45°	170	1.5	0.5
3003	Ø76	76	45°	245	1.5	0.9
3357	Ø108	108	45°	267	1.5	1.9
3065	Ø159/76	159/76	30°	390	2.0	3.3
3064	Ø159/108	159/108	30°	390	2.0	3.9
3063	Ø159	159	45°	400	2.0	4.4
3036	Ø108/76	108/76	45°	300	1.5	1.8

### Cone

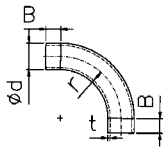


Part No	Desc	d1	d2	l	t	Weight
3197	Ø80/76	80	76	70	2.0	0.2
3030	Ø108/76	108	76	95	1.0	0.15
3078	Ø76/50	76	50	95	1.0	0.15

# Tubing System

## Steel Tubing

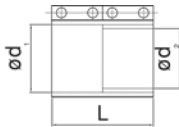
### Abrasion resistant bend 90°



Part No	Desc	d	r	b	t	Weight
3235*	Ø76	87	175	50	7.0	5.0
3234*	Ø108	121	250	50	5.5	10.6

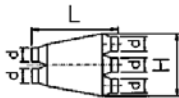
\*For use with Joint abrasion resistant bend.

### Joint abrasion resistant bend



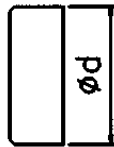
Part No	Desc	d1	d2	l	Weight
3243	Ø76	87	76	130	0.5
3244	Ø108	121	108	130	0.7

### Pressure distributor box



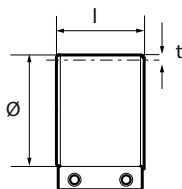
Part No	Desc	Ø	h	Weight
3057	3/2	108	472	10.0
3058	2/2	108	570	7.0

### End cap for steel tubing



Part No	Desc	d	Weight
3172	Ø50	50.8	0.1
3174	Ø76	76	0.1
3906	Ø108	108	0.2

### Joint



Part No EPDM	Part No NBR	Desc	d	l	t	Weight
3077**	3271*	Ø50	50.8	65	4.5	0.2
3007**	3272*	Ø76	76	65	5.0	0.3
3031**	3273*	Ø108	108	65	5.5	0.4
3045**	3274*	Ø159	159	65	6.5	0.5

\*) Oil resistant

\*\*) Antistatic



# Stainless Steel Tubing When Clean Is Not Enough

Stainless tubing is used with abrasive materials or due to hygienic considerations. We offer two versions of the Stainless Steel Tubing depending on the area of use.

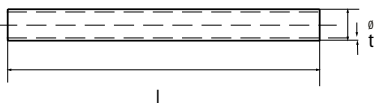
## Which Stainless Steel Tubing System to use?

Stainless Steel Tubing	Area of use	European norm	American norm
Stainless Steel Tubing	Transport of abrasive materials or due to hygienic considerations.	1.4301	AISI 304
Stainless Steel Tubing Food Industry / Pharma Industry	Transport of material in Food Industry and Pharma Industry.	1.4404	AISI 316L

## Stainless Steel Tubing 1.4301 / AISI 304

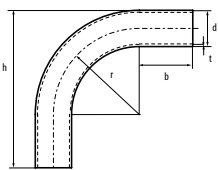
Stainless Steel Tubing System for the Transportation of Abrasive Materials or due to Hygienic Consideration. Steel Grade According 1.4301 / AISI 304.

### Tubing



Part No	Desc	Ø	(m)	t	Weight
44228	Ø50	50.8	3	1.0	1.3
44227	Ø76	76	3	1.0	1.9
44226	Ø108	108	3	1.0	5.2
3227	Ø159	159	2	1.0	4.0

### Bend 90°

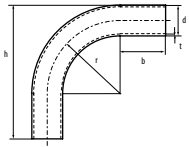


Part No	Desc	d	r	b	h	t	Weight
3314	Ø50	50,8	120	75	220	1.5	0.6
3316	Ø76	76	160	180	313	1.5	1.3
3320	Ø108	108	160	165	380	2.0	3.0
3262	Ø159	159	87	90	260	1.0	1.8

## Tubing System

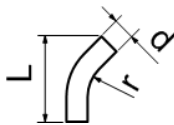
# Stainless Steel Tubing 1.4301 / AISI 304

### Bend 90° extended



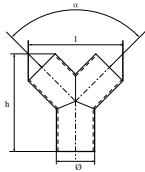
Part No	Desc	Ø	r	b	t	Weight
3266	Ø76	76	460	-	2.0	3.2
3303	Ø108	108	800	150	2.0	10.0
3314	Ø150	50	120	220	1.5	0.55

### Bend 45°



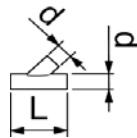
Part No	Desc	Ø	r	l	t
3318	Ø76	76	160	333	1.5
3315	Ø108	108	160	433	2.0

### Y-tubing



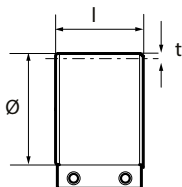
Part No	Desc	Ø	α	l	h	t	Weight
3331	Ø50	50.8	90°	150	175	1.5	0.4
3330	Ø76	76	90°	190	195	1.5	0.7
3330	Ø76	76	90°	190	195	1.5	0.7

### Branch pipe



Part No	Desc	d1	d2	l	α	t	Weight
3210	Ø50/50	50	50	170	45°	1.5	0.3
3199	Ø76/76	76	76	245	45°	1.5	0.6
3358	Ø108/108	108	108	267	45°	1.5	1.8

### Joint



Part No NBR	Desc	d	l	t	Weight
307702*	Ø50	50.8	65	4.5	0.2
300702*	Ø76	76	65	5.0	0.3
303102*	Ø108	108	65	5.5	0.4
304502*	Ø159	159	65	6.5	0.5

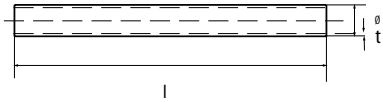
\*) Material EPDM/Stainless steel

## Tubing System

# Stainless Steel Tubing 1.4404 / AISI 316L

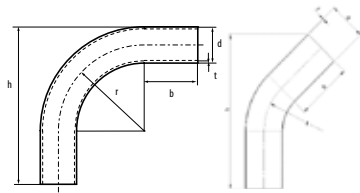
Stainless Steel Tubing System for the Food and Pharmaceutical Industry.  
Steel Grade According 1.4404 / AISI 316L.

### Tubing



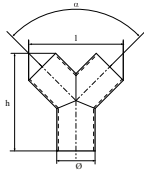
Part No	Desc	d	l	t	Weight
44228	Ø50	50	4000	1	5
44227	Ø76	76.1	4000	1.2	9
44226	Ø108	108	4000	1.5	16

### Bend 45°, 90°



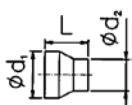
Part No	Desc	d	r	b	h	t	Weight
44308	Ø50_45°	50.8	120	75	231	1	0.3
44311	Ø50_90°	50.8	120	75	220	1	0.4
44312	Ø76_45°	76.1	160	180	447	1.5	1.4
44313	Ø76_90°	76.1	160	180	378	1.5	1.7
44306	Ø108_45°	108	162	163	431	2	2.4
44307	Ø108_90°	108	162	163	379	2	3.1

### Y-tubing



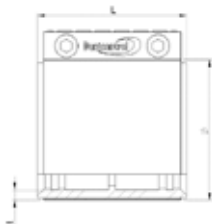
Part No	Desc	d	α	l	h	t	Weight
44225	Ø50	50.8	90°	151	175	1	0.3
44316	Ø76	76	90°	188	195	1.2	0.6
44224	Ø108	108	90°	233	225	1.5	1.1

### Cone



Part No	Desc	d1	d2	l	t	Weight
44318	Ø80/76	76.1	50	95	1	0.2
44319	Ø108/76	108	76.1	93	1.2	0.3

### Joint



Part No	Desc	d	l	t	Gasket	Weight
307703	50	58	65	4	FPM	0.16
307704	50 GFF	58	65	4	FPM	0.28
300703	76	84	65	4	FPM	0.2
300704	76 GFF	84	65	4	FPM	0.32
303103	108	116	65	4	FPM	0.25
303103	108 GFF	116	65	4	FPM	0.37

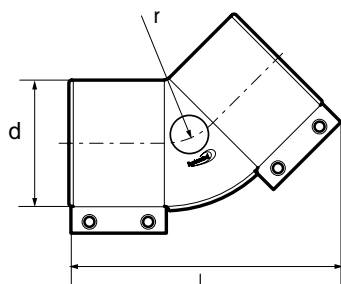


# Tubing System

## Polymer Tubing

An elastomer (EPDM and NBR-rubber) used in bends, branch pipes and mounting brackets gives a particularly high wear resistance and moderation of the sound level. Dustcontrol's bends are designed with a patented radial ridge to spread the impact area of the material and thereby reducing the wear and minimising the risk of blockage. NBR is especially recommended for use with oil and cutting fluids.

### Bend 45° (complete with joints)

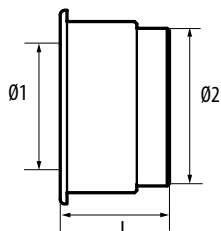


Part No EPDM	Part No NBR	Desc	d	l	r	Weight
307311**	307312	Ø50	50.8	150	66	0.5
3343*		Ø50	50.8	150	66	0.5
300911**	300912	Ø76	76	170	79	0.6
3344*		Ø76	76	170	79	0.6
302911**	302912	Ø108	108	195	94	0.8
3345*		Ø108	108	195	94	0.8

\*) Material EPDM/Stainless steel

\*\*\*) Antistatic

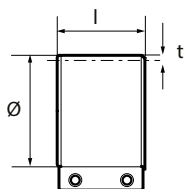
### Cone 90°



Part No EPDM	Part No NBR	Desc	d1	d2	l	Weight
3305**	3325	Ø76/50	50.8	76	50	0.1
3306**	3326	Ø108/76	76	108	55	0.3
3307**	3327	Ø108/100	100	108	35	0.1
3308**	3328	Ø159/108	108	159	70	0.7

\*\*\*) Antistatic

### Joint



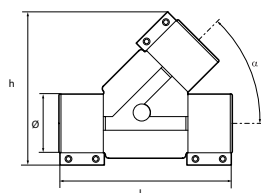
Part No	Part No NBR	Desc	d	l	t	Weight
3077**	3271	Ø50	50,8	65	4.5	0.2
307702*		Ø50	50,8	65	4.5	0.2
3007**	3272	Ø76	76	65	5.0	0.3
300702*		Ø76	76	65	5.0	0.3
3031**	3273	Ø108	108	65	5.5	0.4
303102*		Ø108	108	65	5.5	0.4
3045**	3274	Ø159	159	65	6.5	0.5
304502*		Ø159	159	65	6.5	0.5

\*) Material EPDM/Stainless steel

\*\*\*) Antistatic

# Polymer Tubing

## Branch pipe 45° (complete with joints)



Part No EPDM	Part No NBR	Desc	d	l	h	Weight
307411**	307412	Ø50	50.8	220	150	0.8
3346*		Ø50	50.8	220	150	0.8
300311**	300312	Ø76	76	250	200	1.2
3347*		Ø76	76	250	200	1.2
303511**	303512	Ø108	108	300	260	1.6
3348*		Ø108	108	300	260	1.6

\*) Material EPDM/Stainless steel

\*\*\*) Antistatic

TECHNICAL DATA	EDPM	NBR
Temp °C max/min	140/-60	120/-60
Antistatic	Yes	Yes
Abrasion resistance	Very Good	Good
UV and Ozone resistance	Very Good	Limited
Resistance to fumes	Very Good	Good
Resistance to solvent and oil	Poor	Very good

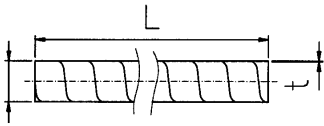


## Tubing System

# Reinforced Spiro Tubing

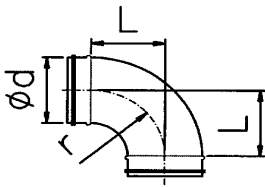
The reinforced spiro tubing system is used to connect the separator and vacuum pump. It is also used in extraction systems for smoke and light dust.

## Spiro Tubing



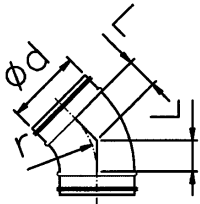
Part No	Desc	d	l	t	Weight
3013	Ø100	100	3	0.6	1.8
3123	Ø125	125	3	0.6	2.2
3042	Ø160	160	3	0.8	3.7
3095	Ø200	200	3	0.8	4.7
3090	Ø250	250	3	0.8	5.9

## Bend 90°



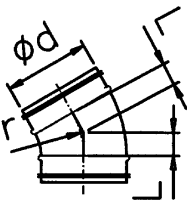
Part No	Desc	d	r	l	Weight
3014	Ø100	100	100	100	0.4
3124	Ø125	125	125	125	0.6
3043	Ø160	160	160	160	0.8
3096	Ø200	200	200	200	1.5
3091	Ø250	250	250	250	2.4

## Bend 45°



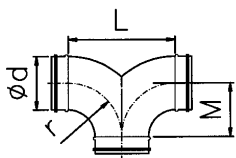
Part No	Desc	d	r	l	Weight
3086	Ø100	100	100	43	0.3
3125	Ø125	125	125	52	0.4
3089	Ø160	160	160	66	0.6
3088	Ø200	200	200	83	0.9
3087	Ø250	250	250	104	1.3

## Bend 30°



Part No	Desc	d	r	l	Weight
3024	Ø100	100	100	25	0.3
3126	Ø125	125	125	33	0.3
3025	Ø160	160	160	43	0.5
3026	Ø200	200	200	54	0.7
3027	Ø250	250	250	67	1.4

## Y-pipe

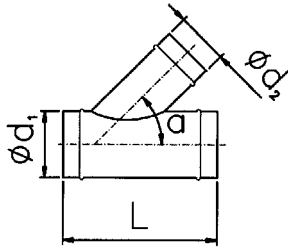


Part No	Desc	d	r	l	M	Weight
3127	Ø125	125	190	375	190	1.5
3128	Ø160	160	240	480	240	2.5
3129	Ø200	200	300	600	300	3.8
3130	Ø250	250	375	750	375	8.6



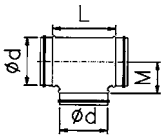
# Reinforced Spiro Tubing

## Branch pipe



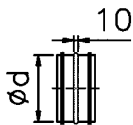
Part No	Desc	d1	d2	l		Weight
3131	Ø100/100	100	100	290	45°	1.3
3132	Ø125/100	125	100	290	45°	1.4
3148	Ø125/125	125	125	290	45°	1.6
3133	Ø160/100	160	100	370	45°	1.6
3134	Ø160/125	160	125	370	45°	1.9
3149	Ø160/160	160	160	370	45°	2.5
3135	Ø200/100	200	100	460	45°	2.2
3136	Ø200/125	200	125	460	45°	2.3
3137	Ø200/160	200	160	460	45°	2.9
3150	Ø200/200	200	200	460	45°	3.5
3138	Ø250/160	250	160	575	45°	3.4
3139	Ø250/200	250	200	575	45°	4.0
3151	Ø250/250	250	250	575	45°	4.6

## T-pipe



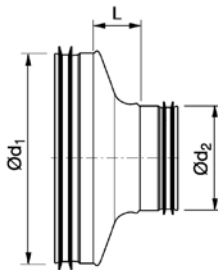
Part No	Desc	d	l	M	Weight
3051	Ø160	160	229	105	0.9

## Nipple



Part No	Desc	d	Weight
3015	Ø100	100	0.1
3144	Ø125	125	0.2
3044	Ø160	160	0.2
3099	Ø200	200	0.3
3094	Ø250	250	0.5

## Cone



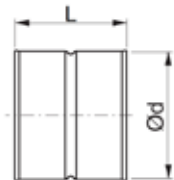
Part No	Desc	d1	d2	l	Weight
3054	Ø100/80	100	80	18	0.2
3141	Ø125/100	125	100	22	0.2
3157	Ø125/110	125	110	48	0.3
3028	Ø160/100	160	100	37	0.3
3142	Ø160/125	160	125	26	0.2
3098	Ø200/160	200	160	26	0.3
3093	Ø250/200	250	200	32	0.6
3122	Ø250/160	250	160	53	0.5
3268	Ø250/160	250	160	113	0.6
3269	Ø250/200	250	200	92	0.6

## Tubing System

# Reinforced Spiro Tubing

The reinforced spiro tubing system is used to connect the separator and vacuum pump. It is also used in extraction systems for smoke and light dust.

## Sleeve

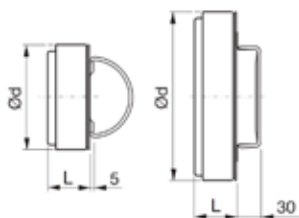


Part No	Desc	d	l	Weight
3055	Ø100	100	90	0.1
3143	Ø125	125	90	0.2
3056	Ø160	160	90	0.2
3082	Ø200	200	90	0.3
3083	Ø250	250	130	0.5

## Clean out cover

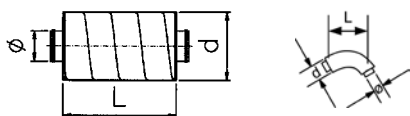
Ø100 - 160

Ø200 - 250



Part No	Desc	d	l	Weight
3152	Ø100	100	40	0.1
3153	Ø125	125	40	0.1
3154	Ø160	160	40	0.2
3155	Ø200	200	40	0.3
3156	Ø250	250	40	0.5

## Inline silencer



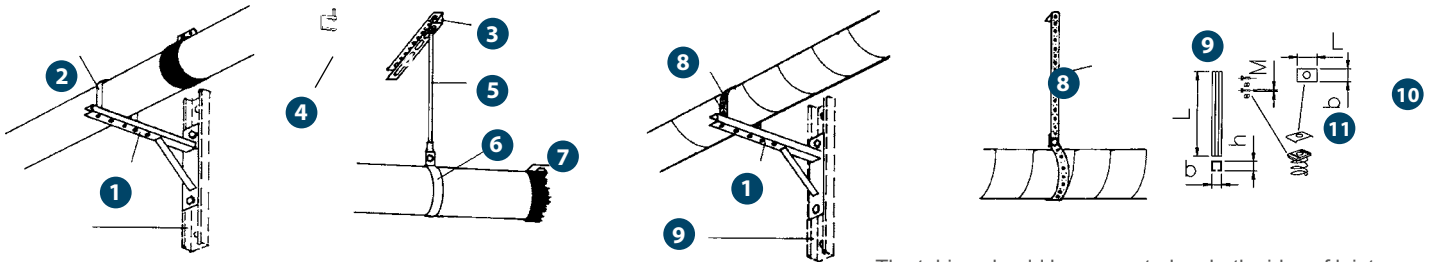
Part No	d1	d2	l	Weight
3182	160	335	1200	19.8
3183	160	335	600	10.7
3184	160	260	600	6.3
3195	80	180	300	2.2
3350	100	150	250	0.4
4476	100	200	600	4.8
4942	100	200	300	2.6
3228	125	224	300	3.0

## Silencers

Absorbtion dB for average frequency Hz

TECHNICAL DATA	125 Hz	250 Hz	500 Hz	1k	2k	4k	8k
3182	10	18	34	49	53	30	18
3183	8	15	23	31	40	22	16
3184	4	8	21	37	40	22	14
3195	4	8	16	27	34	35	19
3228	2	7	14	21	26	20	12
4476	8	13	25	40	50	40	21
4942	4	8	14	23	27	25	14

# Mounting Hardware

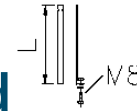


## 1 Bracket



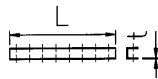
Part No	Desc	L	t	Weight
3008	300	300	3	0.85
3037	500	500	3	1.50
3178	1000	1000	3	3.00

## 2 Clamping band



Part No	Desc	L	Weight
3107	50	140	0.10
3021	76	210	0.10
3022	108	290	0.10
3023	159	425	0.15

## 3 Wall and ceiling attachment



Part No	Desc	L	t	Weight
3106	270	270	3	0.40
9622	2000	2000	3	3.00

## 4 Beam clamp



Part No	Desc	M
3192	M8	M8
3251	M10	M10

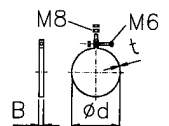
## 5 Threaded rod



Part No	Desc	L	M	Weight
3017	HGS8	2000	M8	0.35
3250	M10	1000	M10	0.50

## 6 Clamping wrapper

Part No*	d	B	t	Weight
3185	50	20	1.25	0.10
3186	76	20	2.0	0.15
3187	110	25	2.0	0.25
3188	160	25	3.0	0.40
3189	200	25	3.0	0.55
3190	250	25	3.0	0.75

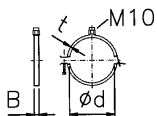


\*) 5 pcs



# Mounting Hardware

## 7 Tube hanger EPDM, rubber lined



Part No	d	B	t
3245	50	24	1.5
3246	76	24	1.5
3284	101	24	2.0
3247	108	24	1.5
3285	125	24	2.0
3248	160	24	2.0
3249	200	24	3.0
3286	245	30	3.0

## 10 Plate

Part No	a	b	t
3253	52.6	45.5	5.0

## 8 Pipe strap

Part No	L (m)	b	t	m (kg/m)
3158	25	25	1	0.15

## 9 Adjusting

Part No	L	b	h	Desc
3159	300	41	21	
3241	2000	41	21	perforated
3252	3000	41	21	perforated

## 11 Spring nut

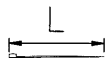
Part No	M
9601	M8
3289	M10

## Two part clamp



Part No	d
3068	160
3069	200

## Tie-wrap, nylon



Part No	L
9817	136
9815	360

## Fastener set for mounting

Part No
3198

## Z-attachment



Part No
3011

## L-attachment



Part No
3012

## Duct tape, roll

Part No	L (m)
9076	50







Healthy Business

Dustcontrol<sup>®</sup>

# Work Station Equipment

All outlets must have some type of closure, either a valve or shutter. These can be manually actuated, such as flap valves or manual shutter valves, or automatically controlled for actuation only when extraction is required. Swing arms, hose reels and other suspension arrangements help further to increase the flexibility and efficiency of the system.



# About Work Station Equipment

An extraction system is sized for only those outlets which are to be used simultaneously. This is in order to maximise efficiency and minimise the size of the central unit. It must be possible to open and close all outlets. This could be via manual shutter and flap valves or automatically on demand. The Flexpipe can be used for fume extraction, high flexibility and small diameter allow it to be placed very close to the fume source.

Overhead suspension arrangements such as swing-arms and hose reels can increase the usefulness of the system, increase ergonomics and minimise potential trip hazards from hose left on the floor.

When large volumes of material are to be introduced into the system, stainless floor funnels can be used from which the material is then extracted.



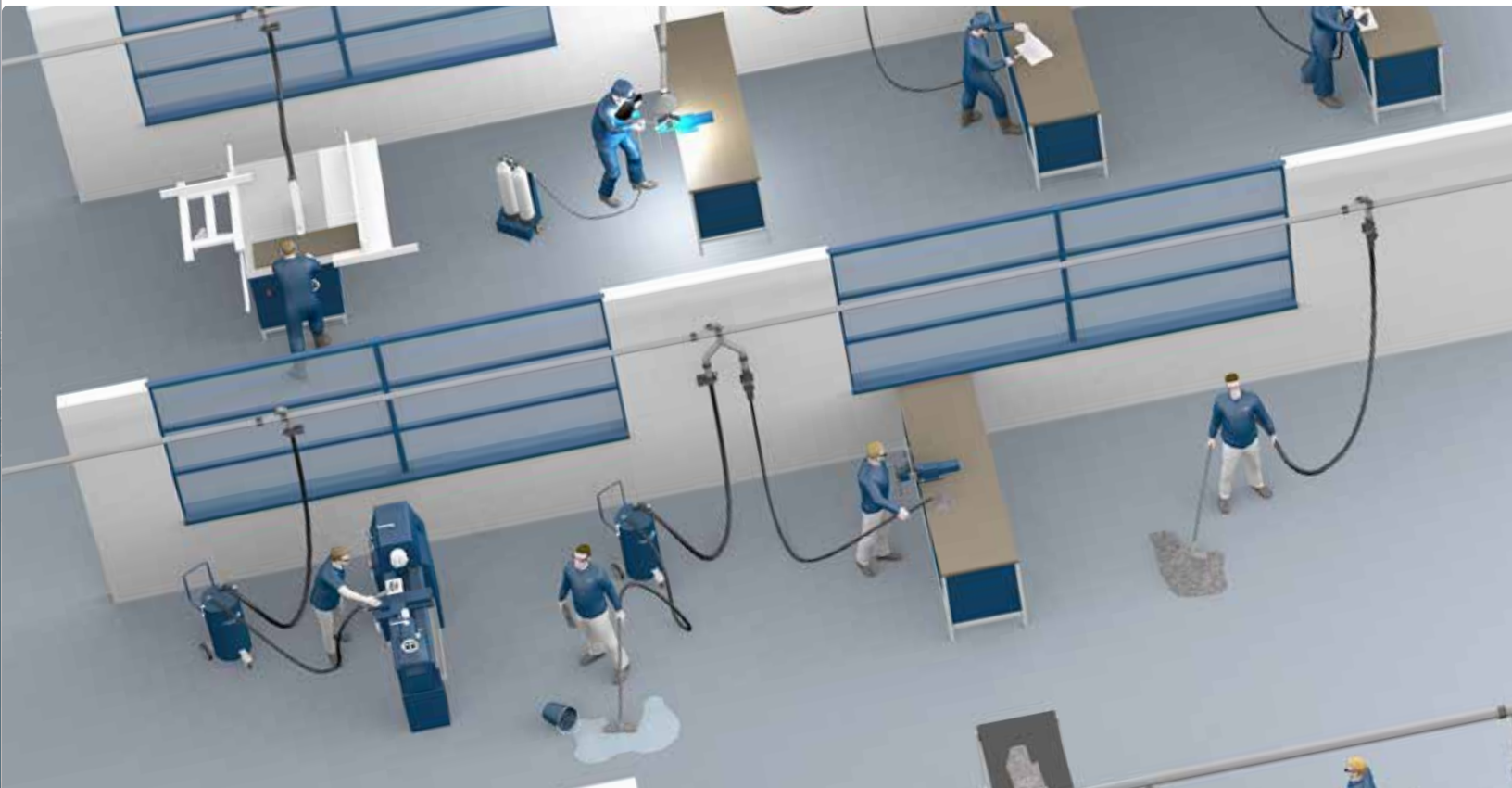
Manual Flap Valves



Automatic Flap Valves



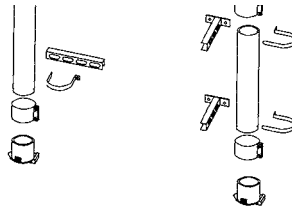
Fume Arms and Suspension Arrangements



# Flap Valves

For ad hoc connection of the suction hose to the tubing system. The spring loaded flap is opened manually and the hose cuff is inserted into the valve body. On systems with on demand start-stop, the flap valve should be equipped with a micro-switch. This will give a start-stop signal for vacuum producer control.

### Installation Examples



### Technical data

$d_{max}/D$	A	Micro-switch	Part No
38/50 mm	X38	No	3232
38/50 mm	X38	Yes	8454
50/50 mm	X50	No	3070
50/50 mm	X50	Yes	8433
50/76 mm	X50	No	3006
50/76 mm	X50	Yes	8272
76/76 mm	X76	No	3237 *

\* For Flap Valve (3237) a Connecting Sleeve (2156) is needed.



Flap valve 50/76 with micro-switch

8455  447201

Flap Valves with micro-switch and attached lead

8455 Flap valve 50/76 (X50 connection) with micro-switch c/w 3 m lead and terminal box.

447201 Handle to open valve.



## Work Station Equipment

# Flap Valves – Food Contact



Flap valve Part No 77020-04

This new flap valve is designed for use in a food environment. With unique properties such as colour coding, ESD and food-approved materials, it is perfectly suited for the food industry. The flap valve is of hygienic design where horizontal surfaces and pockets have been minimised. The seal consists of an o-ring that is easy to replace. The O-ring will be sold as a consumable. It is detectable, meets the FDA requirements and is also available in blue, if required. The flap valve consists of materials that meet the requirements of the FDA and EC 1935/2004.

### Technical data

$d_{max}/D$	A	Micro-switch	Part No
50/76 mm	X50	No	77010-01 <span style="color: red;">●</span>
50/76 mm	X50	Yes	77010-02 <span style="color: yellow;">●</span>
50/76 mm	X50	No	77010-03 <span style="color: darkblue;">●</span>
50/76 mm	X50	Yes	77010-04 <span style="color: teal;">●</span>
50/76 mm	X50	No	77010-05 <span style="color: grey;">○</span>
50/50 mm	X50	Yes	77020-01 <span style="color: red;">●</span>
50/50 mm	X50	No	77020-02 <span style="color: yellow;">●</span>
50/50 mm	X50		77020-03 <span style="color: darkblue;">●</span>
50/50 mm	X50		77020-04 <span style="color: teal;">●</span>
50/50 mm	X50		77020-05 <span style="color: grey;">○</span>

### Part No Description

77010-01	(Ø76/50) Signal RED
77010-02	(Ø76/50) YELLOW
77010-03	(Ø76/50) Night BLUE
77010-04	(Ø76/50) GREEN
77010-05	(Ø76/50) WHITE
77020-01	(Ø50/50) Signal RED
77020-02	(Ø50/50) YELLOW
77020-03	(Ø50/50) Night BLUE
77020-04	(Ø50/50) GREEN
77020-05	(Ø50/50) WHITE
44954	O-ring, consumable





## Work Station Equipment

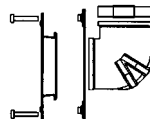
# Wall Outlets

For ad hoc connection of the suction hose. The suction hose must be equipped with a connecting sleeve. Installed in the wall with an installation kit, these provide a finished, flush mounted outlet valve. The valve body with spring loaded flap is installed after the wall is finished.

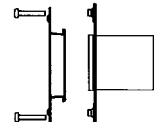
On systems with on demand start-stop, the wall outlet should be equipped with a micro-switch. This will give a start-stop signal for vacuum producer control.

### + Accessories (Part No)

- 3218 Installation set with 90° joint
- 3219 Installation set with straight joint



3218



3219

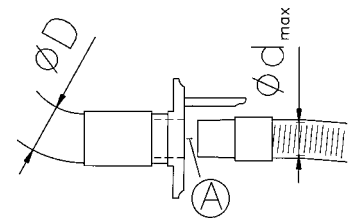
### Technical data

$d_{max}/D$	A	Control	Finish	Part No
38/50 mm	X38	---	peened aluminum	3230
38/50 mm	X38	micro-switch	peened aluminum	8439
38/50 mm	X38	---	white enamel	3231
38/50 mm	X38	micro-switch	white enamel	8453

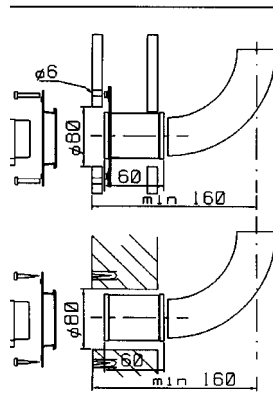
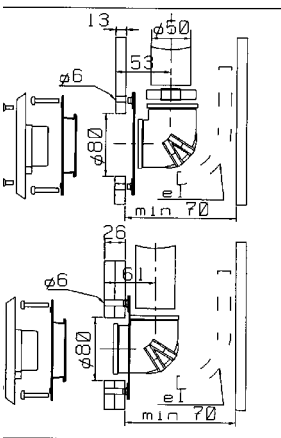


Wall outlets are available with two finishes; peened aluminum or white enamel.

### Installation Examples



### Dimensions, installation of wall outlets



# Wall and Floor Outlet, Clean Room

The wall and floor outlets are designed for cleanliness and are suitable for example, in clean room applications. The valve body is antistatic and made of pre-stressed polypropylene. The exposed surfaces of the valve are brushed stainless steel.

- The outlet is made for both wall and floor mounting.
- Cover wall mounting plate and spring replacement are possible without removing and replacing the valve body.
- Low profile for mounting even in thin wall partitions.
- Outlet optionally equipped with inductive sensor for auto start-stop.
- Select cleaning accessories Ø32, Ø38 or Ø50 mm.

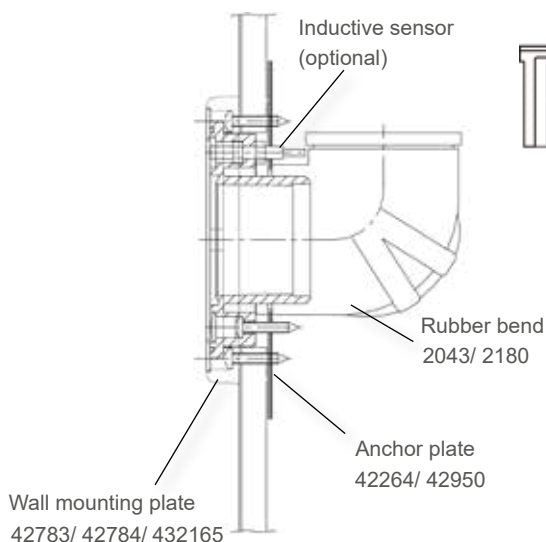


### Part No Description

322501	Clean room valve without sensor X38/50
84059	Clean room valve with sensor X38/50
3368	Clean room valve without sensor X50/76
3369	Clean room valve with sensor X50/76
40451	O-ring 49.56 * 3 shore 50
42292	Connector Clean room valve 38

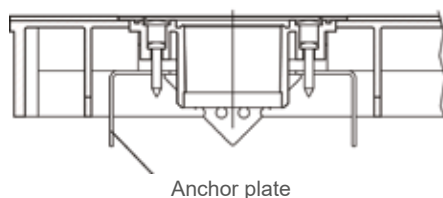
ACCESSOIRES	Part No Ø38/50	Part No Ø50/76
Wall mounting plate	42783	432165
Wall mounting plate high	42784	432165
Straight joint	2044	3007
Rubber bend 90°	2043, Ø50	2180, Ø50/76
Anchor plate	42264	42950
Cover opener	40201	40201
Connector	42292	-
O-ring 49.5 * 3 shore 50 nitril	40451	-

### Wall mounting

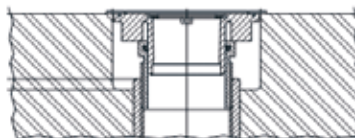


Hole in wall Ø85 and Ø104 mm = X38/50  
Hole in wall Ø104 and Ø118 mm = X50/76

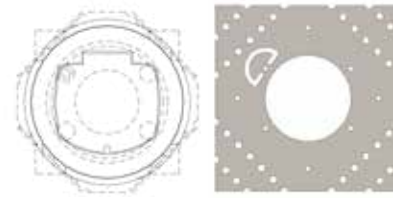
### For wooden and raised floors



### For poured concrete floor



### Anchor plate



42264/ 42950



# Manual Shutter Valves

Manual shutter valves are used for stationary machine connection or in cases where a permanent hose connection is desired. By pulling the handle the valve opens.

On systems with on demand start-stop, the shutter valve should be equipped with a micro-switch. This will give a start-stop signal for vacuum producer control.



### Technical data

DESCRIPTION	Control	Part No
Ø50 mm	---	805201
Ø50 mm	micro-switch	809101
Ø76 mm	---	804300
Ø76 mm	micro-switch	809200
Ø108 mm	---	808300
Ø160 mm	---	8254
Ø200 mm*/	---	8017
Ø250 mm*/	---	8016

\*/ Note! Shutter Valve Ø200 and Ø250 only for clean air.

# Automatic Shutter Valves

The automatic shutter valve has a stainless steel gate actuated by a pneumatic cylinder. For applications on work stations and in the tubing system.

With intermittent start-stop, a pressure switch is installed using a "T" fitting in the compressed air supply. This provides an electrical start-stop signal to the vacuum producer. For valve position sensing, cylinder switches are optionally available. When a shutter needs to be electrically controlled, use an automatic shutter valve, as above, in combination with a solenoid valve as shown here.



Shutter valve bodies are made of polyamide 6 with a mixture of 15% carbon fiber. This gives a stronger shutter valve and provides it also with electrically conductive properties.

### Technical data

DESCRIPTION	Part No
Ø50 mm	805308
Ø76 mm	804408
Ø108 mm	808404
Ø108 mm	808408 **/
Ø160 mm	825404
Ø200 mm*/	807500
Ø250 mm*/	807800

\*/ Note! Shutter Valve Ø200 and Ø250 only for clean air and to single step fans (10 kPa max).  
\*\*/ For demanding environments.

### Solenoid Valve

V	Part No
24 V DC	8026
24 V AC	8088
230 V	8054

# Electric Shutter Valves

Electrically driven shutter valves can be built for special applications. Note that the speed of the gate will be much slower for an electrical shutter than for a standard shutter.

### Technical data

DESCRIPTION	V	Part No
76 EL	230	804411
108 EL	230	808407
160 EL	230	825407



# Shutter Valves – Food Contact

Discover the innovative D76 automatic shutter valve (77040) a solution specially designed for the food industry. Inspired by its predecessor, the functional D50 shutter valve (77030), the D76 delivers outstanding performance and complies with the strict requirements set forth by the FDA and EG 1935/2004 standards.

The D76 shutter valve is engineered for environments where sealing is crucial, and no materials should leak out or penetrate the pipeline. Its design allows for easy installation in pipeline systems, with the option to use pipes or permanently attached hoses on both sides. To prevent material buildup and deposits on the inside, the gate offers two orientation options during installation, ensuring long-lasting and trouble-free operation.

As for D108 shutter valve (45083), it is constructed from aluminum. It is of utmost importance to meticulously verify its suitability for contact with the type of food it will come into contact with.



Automatic Shutter Valve, Ø50 mm  
Food Contact, Part No 77030



Automatic Shutter Valve, Ø76 mm  
Food Contact, Part No 45083

## Technical data

DESCRIPTION	Part No
Ø50 mm / Food Contact	77030
Ø76 mm / Food Contact	77040
Ø108 mm / Food Contact	45083



Automatic Shutter Valve, Ø76 mm  
Food Contact, Part No 77040

### Other areas of use for Dustcontrol Food Contact Automatic Shutter Valves

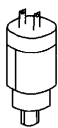
**Chemical Industry**  
**Pharmaceutical Industry**  
**Electronics Industry**  
**Packaging Industry**  
**Process Industry**  
**Automated Manufacturing**



# Accessories Shutter Valve Auto and Electric

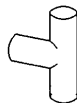


## Accessories Shutter Valve Auto and Electric (Part No)



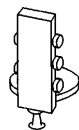
### 8047 Pressure Switch

Installed on pneumatic cylinders to supply electrical signals for start-stop control of vacuum producer. Gives signal when valve is opened.



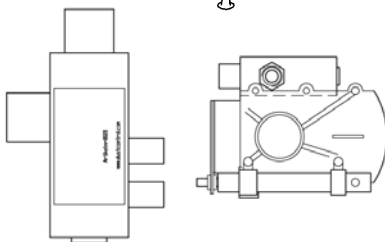
### 8152 T Fitting

Required for installation of the 8047 Pressure Switch.



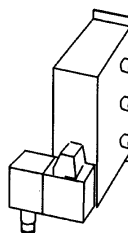
### 8040 Manual Switch

For manual actuation of auto shutters.



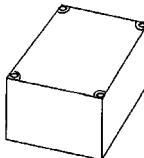
### 8020 Flow Valve

Actuates an auto shutter when installed in compressed air supply to a pneumatic tool. Controls on demand extraction. 8020 should be supported by compressed air according to PNEUROP 6611 CLASS 3. CA supply must be clean and dry, 90 PSI recommended.



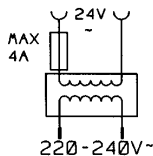
### 8026 Solenoid 24 V DC 8054 Solenoid 230 V AC 8088 Solenoid 24 V AC

A separate solenoid is used for example, on stationary machines and in connection with a manual switch. The solenoid is connected pneumatically to the auto shutter. Generally installed in control panel of the subject machine.



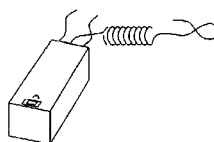
### 8196 Auto-start 230 V AC

Auto-start control is used for on demand extraction for electric tools (max 8 amps on subject tool). The auto-start current sensor closes a relay to give solenoid actuation of an auto shutter.



### 8029 Transformer 230/24 V AC 4 A

Supply transformer for 8168 Welding Auto-start.

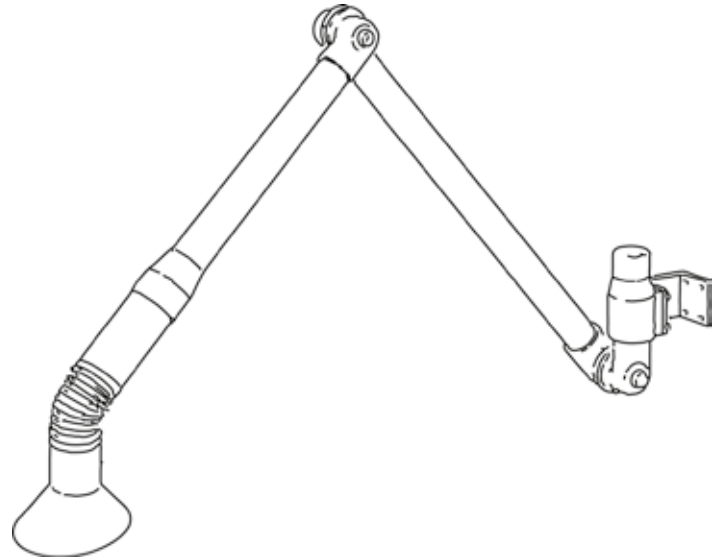


### 8168 Welding Auto-start with current sensor

Used for automatic control of extraction in induction welding applications. Striking an arc will cause the current sensor to close a relay. In turn the relay causes solenoid-actuation of an auto shutter. This control must be supplied with 24 VAC 0.5 A.

# Fume Extraction Arm

Extraction arm for welding fumes, etc. This articulated arm is easily adjusted to the correct working position. The hood is equipped with a 24 V 50 W halogen work lamp and dual switches for lamp and Electric Shutter Valve control. The 76 mm Extraction arm should always be installed with 1 m of 76 mm hose between the arm and tubing system.



**Part No** 590102 Fume Extraction Arm Ø76



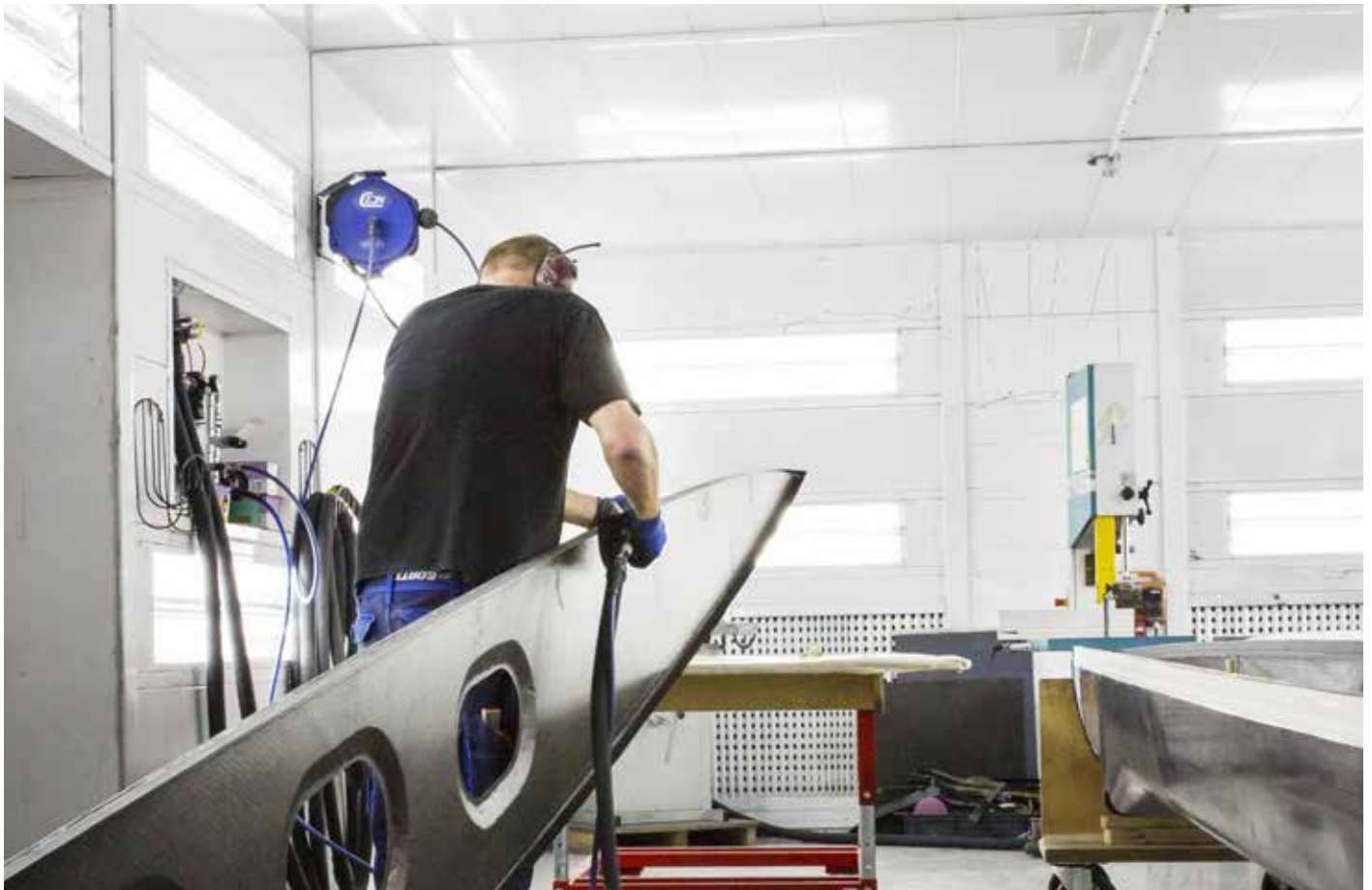
### Accessories (Part No)

804411 Shutter Valve 76 Electric 230 V

### Technical data

DESCRIPTION	$Q_{nom}$	$\Delta p_{nom}$
Ø76	400 m <sup>3</sup> /h	3 kPa

In high pressure systems, the extraction arms may require a restrictive plate to compensate pressure for suitable air flow.



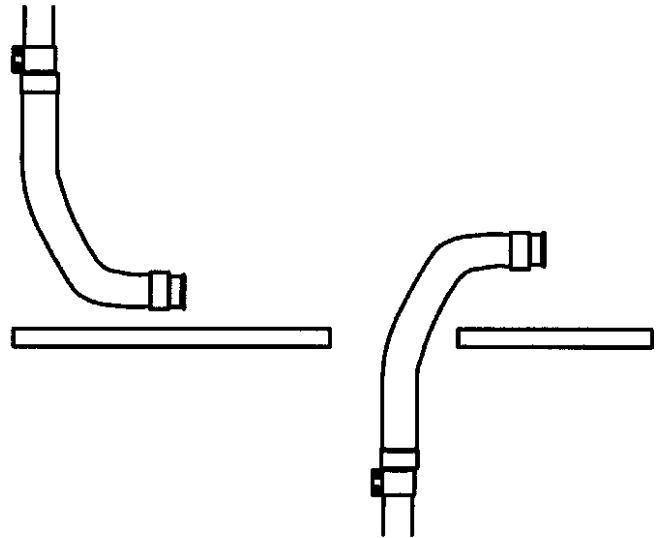


## Work Station Equipment

# Flexpipe

Dustcontrol's Flexpipe is a type of extraction arm for source extraction of welding fume, chemical vapors, wood, dust, etc. The flexpipe is a flexible hose that can be placed in practically any orientation desired.

The diameter of the Flexpipe is small and it can be used very close to the source without disturbing work. The extraction is very effective.



### Technical data

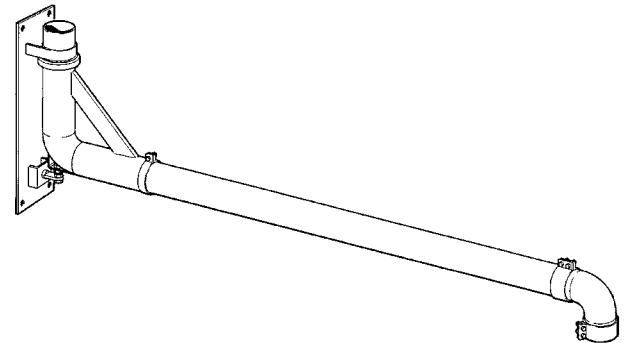
Part No	7330	7308	7331	7332
Inner Diameter	Ø50	Ø50	Ø76	Ø76
Tubing System				
Connection	joint Ø50	joint Ø50	joint Ø76	joint Ø76
Length	700 mm	1 m	700 mm	1 m
Air Flow	80–200 m³/h	80–200 m³/h	200–450 m³/h	200–450 m³/h

### Part No Description

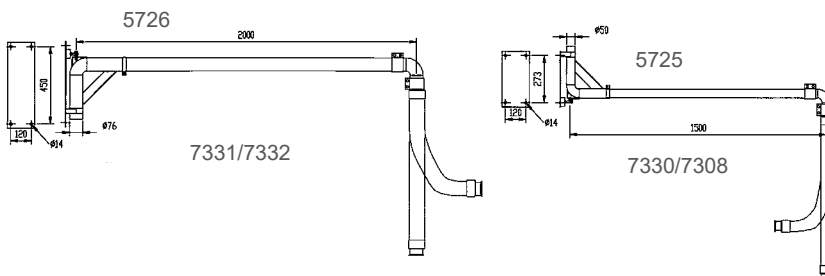
7330	Ø50
7308	Ø76
7331	Ø76
7332	Ø76

# Swingarm for Flexpipe

The Flexpipe reach can be increased with a swingarm installation. The swingarm length is easily adjusted by either cutting the horizontal tube or by replacing it with a longer tube from the standard tubing system, max 3 m for Ø50 and max 4 m for Ø76. The swingarm may be equipped with suction hose but should not be loaded with anymore than the weight of the hose itself.



### Dimensions, installation example

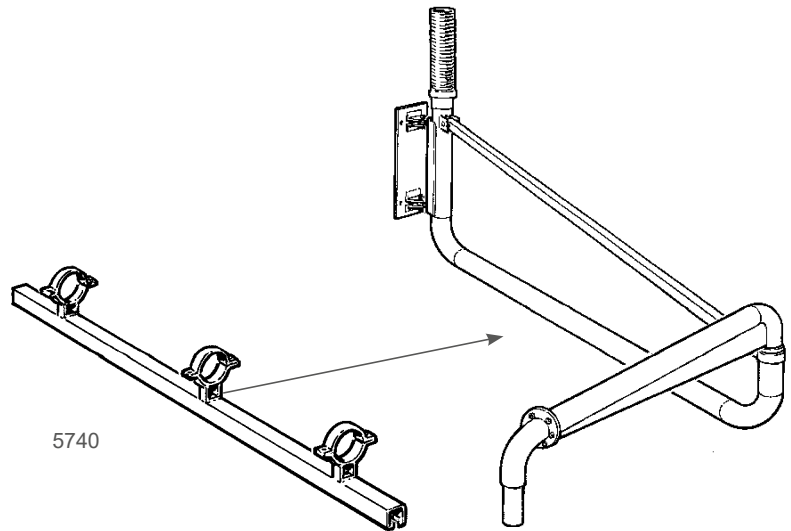


### Part No Description

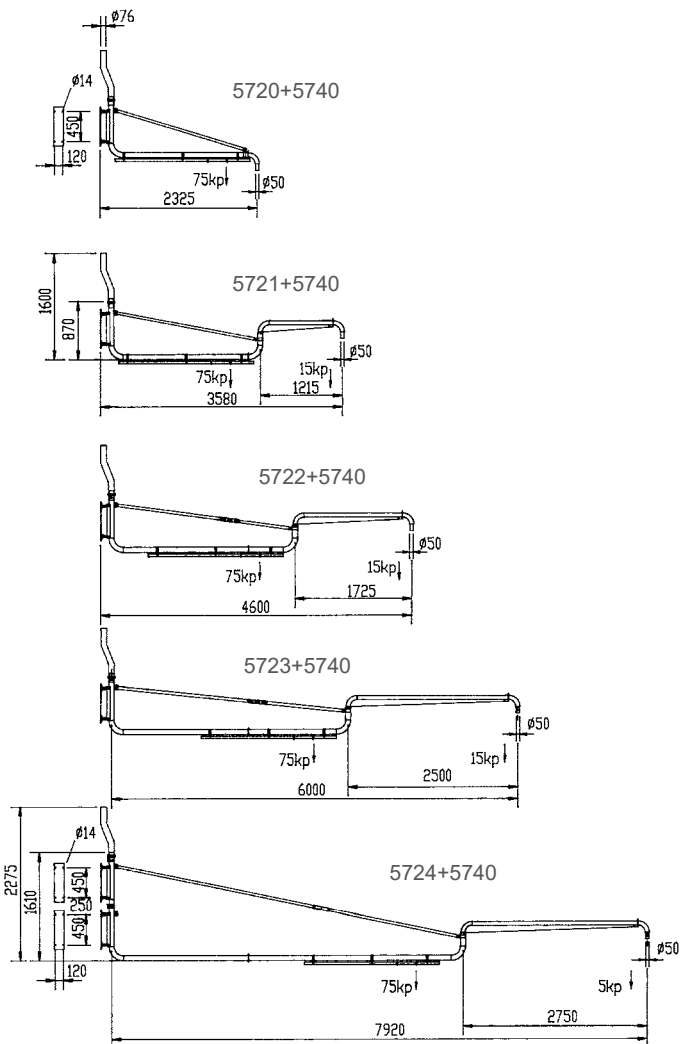
5725	Ø50
5726	Ø76

## Swingarms

Swingarms are used to increase the working envelope without increasing hose lengths. Optionally, tools can be suspended from the swingarm.



### Dimensions, installation example



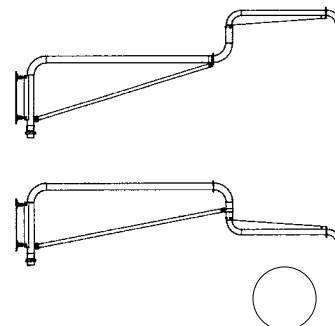
### Part No Description

5720	2.5 m
5721	3.5 m
5722	4.5 m
5723	6 m
5724	8 m

### + Accessories (Part No)

5740 Linear Suspension Track  
The suspension track is installed on the inner link of the swingarm.

### Mounting alternatives



## Work Station Equipment

# Hose Reels

## Spring Retractable Hose Reel

The DC Hose Reel 38/50 is the second generation of our spring operated hose reels and is a complete redesign. Due to its smooth operation the DC Hose Reel 38/50 is very user friendly. Simply pull down the hose and it locks in the desired position. Pull it again and the hose rewinds to the starting position.

The sealed drum guarantees smooth operation and protects the hose from every day wear and tear. The DC Hose Reel 38/50 can be installed either on the ceiling (Part No 7503, 7506) or on the wall (Part No 7504, 7505).

The DC Hose Reel 38/50 is more sturdy, has a long reach and a wide radius of action due to the extended hose. The sealed drum is not pivotal and mounted in a fixed position instead.



Hose Reel

### Part No Description

7503	Hose Reel 38 mm, complete, ceiling
7504	Hose Reel 38 mm, complete, wall
7505	Hose Reel 50 mm, complete, wall
7506	Hose Reel 50 mm, complete, ceiling



### Accessories (Part No)

7507	Wall Bracket Hose Reel, turnable
------	----------------------------------

7504/7505 Wall



7503/7506 Ceiling



Hose guide installed outwards. Hose guide installed upwards.

## Technical data

DIMENSIONS	38 mm	50 mm
Hose Part no /length, antistatic	2013/8 m/26 ft., Ø 50 mm/2 in. + 2012/2 m/6 ft., Ø 38mm/1.5 in.	2013/10 m Ø 50 mm/2 in.
Connection diameter Ø [mm/in]	50/2	50/2
Compressed air supply	min 5 bar (75 psi)	min 5 bar (75 psi)
Recommended air flow [m³/h]	100-150	150-320

For specific information about the hoses – see Material properties hoses.



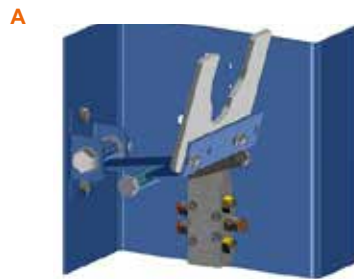
# Tool Holder with Flow Control

Dustcontrol's tool holder with flow control has been developed for hand-held tools that are connected to a source extraction system. The suction flow shuts automatically when the user puts the tool into the holder and opens when it is removed. This function reduces the energy consumption while making the working process more efficient. In its standard configuration, the tool holder can be used for brush nozzles and grinding tools with discs with a diameter up to 180 mm.

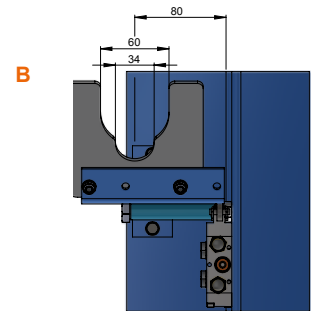
## Technical data

<b>DIMENSIONS (HxWxD)</b>	<b>210 x 210 x 210 mm/8.3 x 8.3x 8.3 in</b>
Weight [kg/lb]	3/17
Connection Ø	Pneumatic tubing 6 mm /1/4 i n.

Part No	Description
432193	Tool Holder



A Holder for hand-held tools

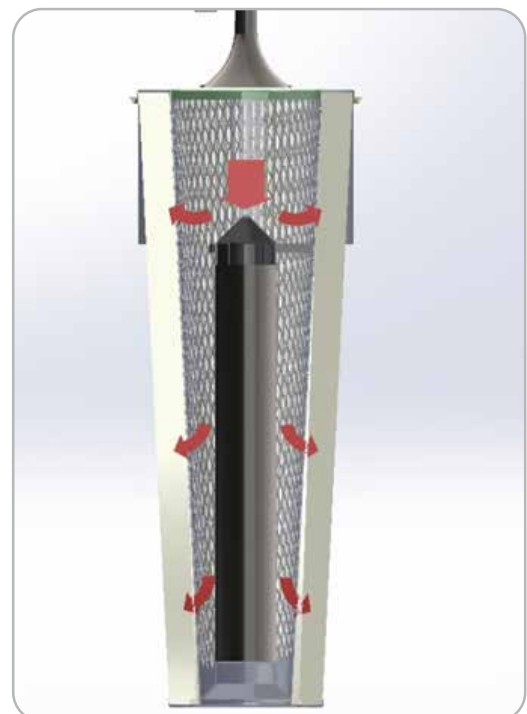


B Spring-loaded 5/2-valve (controls the shutter valve within the extraction system)

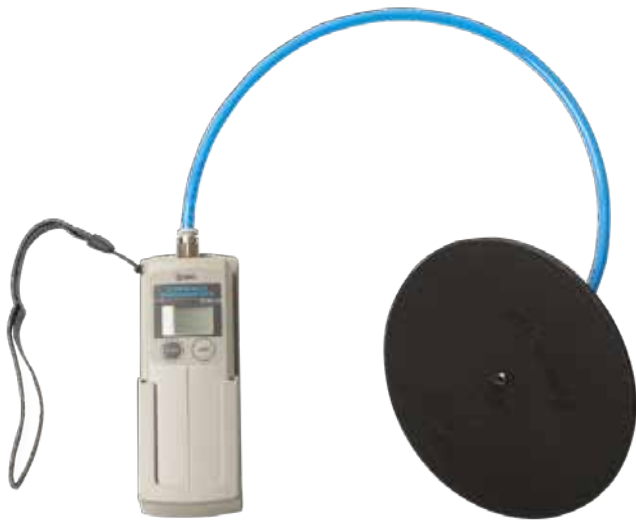
# FilterSaver

The FilterSaver distributes the jet pulse evenly over the whole filter area, facilitating better removal of dust stuck to the filter. By removing more dust the pressure drop over the filter is reduced. A reduced pressure drop also increases the service life of the filter, reduces the energy consumption and increases the suction of the system.

Part No	Description
43925	FilterSaver for filter part no 4284
43926	FilterSaver for filter for part no 4292



Filter cleaning with FilterSaver



## Digital Vacuum Meter with Pressure Diaphragm

The digital vacuum meter is used to measure underpressure on our mobile machines and our central vacuum systems. The vacuum meter makes it easy for the customer to be able to see the negative pressure for the dust extractor and central vacuum systems. It is also a good tool for our service technicians when servicing mobile machines or on existing central vacuum systems.

### Part No Description

44705 Digital Vacuum Meter

### Time to service your machine?

The pressure diaphragm is placed on the outlet of the dust extractor or the valve of the central vacuum system.

1. Start the vacuum meter.
2. Set the meter to P.
3. Place the diaphragm on the dust extractor or the central vacuum system.
4. Read the negative pressure.
5. If the underpressuer is below the minimum value in the table, contact the reseller where you bought the machine in order to book service.

MODEL	Min. kPa	Max. kPa
DC1800	20	24
DC2900	20	24
DC Tromb 400	16	22
DC Tromb Twin	14	20
DC3800	20	24
DC3900	18	30
DC Tromb Turbo	24	28
DC5900 9.2 P	24	28
DC5900 9.2 S	35	40
DCStorm 500	20	25
DCStorm 700	17	22
DC50W / DC75W	20	24



Healthy Business

Dustcontrol<sup>®</sup>

# Control Systems

Our Control System Panels monitors the operation of the system, both the operation of the vacuum producers and cleaning of the filter and also the vacuum production. Intelligent features can be added to make the system even more energy efficient. And the energy consumption will be easily monitor according to actual requirements.



# About Control Systems

The control system is used for the starting and stopping of vacuum producer, turbo pump or high pressure fan. It also monitors the filter cleaning and gives important indications of the condition. Filter cleaning and the starting and stopping of pumps/fans are controlled via the motor starter and the control cabinet. Dustcontrol has two control systems; Base Panel and Smart Panel. These products are standardised, configurable and has a wide range of functionality. Base Panel is developed as a compact and efficient control system suitable for small central vacuum system from Dustcontrol. Smart Panel is Dustcontrol's first step towards industry 4.0 and a connected central vacuum system. Smart Panel comes in a compact, standardised format and delivers a configurable solution suitable for the majority of Dustcontrol's installations.

All control systems must be installed by a certified electrician. The control panels conform to electrical protection class IP 65. Manufacturing standards conform to EN 60204-1.



## Control System Cabinets

### System Control Cabinets features

- Main switch
- All Indications and alarms manoeuvres on display
- PLC-control
- Motor safety functions
- Connection to parent system via OPC or Modbus TCP
- Cloud solutions for remote control
- System monitoring
- Cloud-based maintenance service
- Pulse control for filter cleaning
- Start from external signal, prepared for intermittent run
- Timers for various functions
- Runs up to 5 pumps/fans simultaneously
- Signal and controlling in various situations

Using frequency converters saves money in dimensioning of fuses, cables and energy consumption.



# Base Panel

Base Panel is a standardised and configurable product with a clear and simple definition of functions. The product is developed as a compact and efficient control system suitable for Dustcontrols simpler Central Vacuum systems. The components that will vary depend on the frequency converter in relation to engine size, including parameter settings. This standardised solution result in shorter lead times and a smoother installation and commissioning process.



### TECHNICAL DATA

Incoming supply junction box [V AC]	100-240
Recommended max fuse [A]	10
Internal fuse [A]	6
Outgoing control voltage [V DC]	24
Max outgoing power consumption [A]	2.5
Supply frequency converter 3-phase + ground [V AC]	380-480
Main switch frequency converter	Up to 11kW
IP-class junction box	66
IP-class frequency converter	66 (2.2-11kW) 55 (15-37kW)

### Base Panel features

- Standardised and configurable
- Compact and simple
- Time and resource efficient
- Simple installation and commissioning

### PART NO

### Description

8840	BASE PANEL COMPLETE 2.2kW 5.8A
8841	BASE PANEL COMPLETE 5.5kW 14A
8842	BASE PANEL COMPLETE 7.5kW 18A
8843	BASE PANEL COMPLETE 11kW 24A
8844	BASE PANEL COMPLETE 15kW 30A
8845	BASE PANEL COMPLETE 18kW 39A
8846	BASE PANEL COMPLETE 22kW 46A
8847	BASE PANEL COMPLETE 30kW 61A
8848	BASE PANEL COMPLETE 37kW 72A
41479	PRESSURE SENSOR without display CP114-AN



# Smart System

Smart Panel is Dustcontrol's first step towards industry 4.0 and a connected central extractor. Smart Panel comes in a compact, standardised format and delivers a configurable solution suitable for the majority of Dustcontrol's installations. A standardised solution provides short lead times and extended functionality.

Smart Panel will always be used in combination with an externally mounted frequency converter for starting and controlling the motor. With Smart Panel, Dustcontrol is taking a step forward and leaving behind the older types of starting devices. A frequency converter offers more possibilities in terms of system control and is a more energy-efficient solution. For the customer, this will place less demand on the fuse and require smaller cable dimensions for installation. This means that cables previously located in the controlbox are now moved outside closer to the system.



### TECHNICAL DATA

HxWxD control cabinet [mm/in]	360x360x210/14x14x8.3
Control cabinet mounting HxW [mm/in]	310x387.5x/12.2x15.3
Incoming supply [V AC]	100-240
Outgoing control voltage [V DC]	24
Recommended fuse [A]	10
Internal fuse [A]	6
Max output power consumption [A]	10
IP class, control cabinet	65
IP class, decentralised signal handling (distributed I/O)	67
Communication with parent system	OPC UA or Modbus TCP

### Smart Panel features

- Standardised and configurable
- Simple installation and commissioning
- Increased functionality
- Cloud-based solution
- Cost, time and energy efficient

### DESCRIPTION

### Part No

SIGNAL CONVERTER ANALOG-I / O LINK 0-10V	88023
CONNECTING CONTACT FEED MALE 4-POLE	88024
CONNECTING CONTACT FEED FEMALE 4-POLE	88025
CONNECTING CONTACT COMMUNICATION MALE 4-POLE	88026
CONNECTING CONTACT SIGNAL FEMALE 4-POLE M12	88027
CONNECTING CONTACT SIGNAL MALE 4-POLE M12	88028
CONNECTING CONTACT SIGNAL FEMALE 4-POLE M12	88029
CONNECTING CONTACT SIGNAL MALE 4-POLE M12	88030
CONNECTION CABLE SIGNAL 5-POLE 0.34mm <sup>2</sup>	88031
CONNECTION CABLE DATA 4-POLE CAT5	88032
CONNECTION CONTACT DATA RJ45 CAT5 IP20	88033





# Mobile Dust Extractors

As a true professional, you place high requirements on your equipment. No matter what you choose, you can be sure of getting a truly professional machine that is built with your work and your health in mind.





Dustcontrol DC

Dustcontrol

Dustcontrol

Dustcontrol

12807

12807





# Dust Extractor selection advice

## 1 Capacity/Weight

Check the capacity of the unit in relation to its weight and portability. The motor power does not determine capacity, but rather air flow and vacuum generation (cfm/m<sup>3</sup>/h x inwg/kPa) available to the operator (normally at 40–80 inwg/10–20 kPa). (The lower the unit weight for comparable capacity, the easier the unit will be to move and use.)

## 2 Material Handling

Dust, bulky materials, chips and strips can be collected and transported with vacuum. When the material volume is large, efficient handling saves time and money. Ergonomic handling of the unit and the collected material is also important. The system design should minimise the possibility of dust contamination during collection bag and filter changes. The dust collected in the system should be contained during these activities.

## 3 Sound Level

Even in environments where the sound level is not considered harmful, remember that each additional source increases the overall level. Compare the sound level rating of the unit with measurements from the subject environment. To have a zero nett gain, the sound level of the unit should be at least 5 dB(A) below the ambient level.

## 4 Filtration

Choose the filtration system so the unit does not lose capacity after some minutes of use. Dustcontrol dust extractors separate the dust in three inter-related steps:

### 1. Separation of coarse material in the cyclone

– A good quality cyclone has the right characteristics relative to the capacity of the vacuum producer. Generally, the longer the cyclone, the better.

**2. Fine filtration** – The fine filter protects the HEPA filter and has a lower replacement cost. To extend the life of the HEPA filter, Dustcontrol recommends that you replace the fine filter frequently. A conical pleated filter cartridge achieves the highest air to cloth ratio of any filter design on the market. The machine should also have a filter condition indicator and an effective filter cleaning system. For some applications, you may require a PTFE- coated fine filter.

**3. HEPA filtration** – Do not compromise your health, very close to 100 % filter efficiency is achievable. When the air is exhausted back into the working environment, a HEPA H13 filter is highly recommended. If elimination of hazardous dust is the target, then why release respirable dust back into the working environment?

## 5 Suction Casings

Dustcontrol developed the source extraction concept 40 years ago! Source extraction is the most effective method for maintaining a clean working environment. A Dustcontrol suction casing captures dust or fumes directly at the point of generation. Practically all popular hand power tools can be equipped with a suction casing. Recently, some machine manufacturers have integrated their own suction casings.

With Dustcontrol's connecting sleeves, part nos. 2109 (1"/25mm), 2132 (1.25"/32mm) or 2114 (1.5"/38mm), they can connect to Dustcontrol dust extractors. Enjoy dust-free operation of your hand held tools by upgrading to a Dustcontrol dust extractor.

## 6 Applications

### Concrete Dust

Tough applications, such as concrete grinding, demand a lot from a dust extractor and filter. Since there are high volumes of very fine particulate, you may need a PTFE filter. A pre-separator is also recommended for large floor grinding machines. The DC Tromb Twin and the DC Storm with PTFE filters are the most suitable dust extractors for this type of work.

### Fluids

All Dustcontrol's dust extractors can be used for vacuuming non-flammable liquids in small quantities. However, Dustcontrol also offers a dedicated liquid extractor for larger quantities such as concrete coring.

### Metal Chip/Swarf

A steel container is preferred when vacuuming sharp items such as metal chips. All dust extractors can be ordered with a steel container.

### Hazardous Materials

Special precautions must be taken when dealing with hazardous materials such as silica dust and PCB (health hazardous chemicals). First, a machine with at least a HEPA H13 filter is a must. Second, suction casings are needed for your tools to avoid hazardous dust becoming airborne. Third, an additional air-cleaner is required to clean the air in your working environment. Finally, protect yourself with mask, eye-wear, and protective clothing.

### Potentially Explosive Environments – ATEX

Not only liquids and gases can be explosive. Also very fine dust particles mixed with air can be explosive. A tiny spark from a static discharge or a mechanical spark can set off an explosion inside a dust extractor. European Standard Directive 2014/34/EU stipulates certain arrangements, configurations and measures for design of a dust extraction or vacuum cleaning system intended for use with an explosive dust. Dustcontrol can design your system for compliance and foremost, safe operation with respect to these engineering guidelines.

## 7 The Right Size

Two things determine the most suitable dust extractor required for a given application:

First, the size of the suction casing/nozzle, combined with the type of operation, determines the required airflow. In turn this influences the choice of a suitable dust extractor, taking into account the filter area and the dimension of the inlet.

Second, the longer the hose and tubing-runs, the greater the pressure drop in the system will be. Greater pressure generation is required from the dust extractor when handling large quantities of material (heavy cleaning, suction lance, etc.)

# Classification of Dust Extractors and HEPA Filters

Dust extractors are used to improve the working environment, and to reduce levels of hazardous dust in the air to a minimum. This places great demands on the ability of the dust extractor to separate fine dust. We use a fine filter in our mobile dust extractors, which separates most of the dust. But in order to capture close to 100% of the finest and most dangerous particles, we always complete the design with a HEPA H13 filter.

Here at Dustcontrol, we use conical pleated filters in all of our dust extraction units. A pleated filter has a very large area in relation to its physical size. The dust extractors can therefore be compact in relation to the large filter area they contain.

Only original Dustcontrol filters are tested and approved for use in our machines. The use of other types of filters could lead to the leaking of hazardous dust and/or machine breakdown. Dustcontrol's warranty only applies to machines equipped with original Dustcontrol spare parts. The filters are certified in accordance with current European requirements for dust extraction. This ensures that, with correct handling, optimum filtration will be achieved. Follow the instructions when handling filters, so that they can be replaced without exposure to hazardous dust.

To ensure that the filters comply with the requirements of relevant regulations for health and safety at work, a number of different testing standards are used. These are described below:

## Test methods

The test methods used in current standards for dust extractors and filters are always based on particle counting. By injecting particles before the filter and by using a particle counter to determine the concentration before and after the filter, the penetration can be calculated (a penetration of 0.1% is equal to a degree of separation of 99.9%). The test is carried out in several

stages by individually examining the filter media, the complete filter cartridge and, in some cases, also the complete unit.

## HEPA filters — High Efficiency Particulate Air Filters

When classifying HEPA filters, Dustcontrol uses the strict HEPA standard (EN 1822-1). It is divided into different levels (E10 to H14) depending on filtration efficiency. Dustcontrol applies level H13, which can separate up to 99.95% of the particles between 0.15 and 0.30  $\mu\text{m}$  in size. This particle size is used because it is the hardest to separate – both larger and smaller particles are easier to capture in a filter.

## Dust extractors

In IEC-60335-2-69 (EN-60335-2-69), the standard for testing wet and dry extractors, dust extractors are classified into three categories – **L for low, M for medium and H for high** – where the H category is the most stringent. (Please note: do not confuse this “H” with that in HEPA H13). The category required for a specific application is decided on the basis of the permitted maximum concentration for that type of dust (MAK) in the working environment or by local regulations.

## The test according to EN-60335-2-69 comprises two parts:

**1. A test of the filter system** – in our case, a fine filter and a HEPA H13 filter. To achieve category H, a degree of separation of 99.995% is required, where 90% of the test particles must be smaller than 1.0  $\mu\text{m}$ . Our fine filters comply with category M, and our HEPA H13 filters with category H.

**2. A test of the “assembled unit”** – in our case, a complete dust extractor. Here, 99.995% efficiency is also required, however 10% of the particles must be smaller than 1.0  $\mu\text{m}$ , 22% smaller than 2.0  $\mu\text{m}$ , and 75% smaller than 5.0  $\mu\text{m}$ .



The filter systems in all Dustcontrol dust extractors are built to comply with the stringent IEC machine classification H.





## Classification of our Dust Extractors



NAME	CLASSIFICATION	STANDARD	EFFICIENCY	PARTICLE SIZE	EXAMPLE	MAK (Maximum Workplace Concentration)
	L=		> 99%			> 1.0 mg/m <sup>3</sup>
	M=		> 99,9%			> 0.1 mg/m <sup>3</sup>
IEC* standard	H=	IEC 60335-2-69	> 99.995%	0.1 - 5.0 µm**	H=99.995%	< 0.1 mg/m <sup>3</sup> and carcinogenic substances including asbestos

\* IEC: International Electrotechnical Commission

\*\* Part 1: 90 % < 1.0 µm

Part 2: 10 % < 1.0 µm  
22 % < 2.0 µm  
75 % < 5.0 µm

## Classification of our HEPA filters



NAME	CLASSIFICATION	STANDARD	EFFICIENCY	PARTICLE SIZE	EXAMPLE
	E10		85%	MPPS** between 0.15–0.30 µm	
	E11		95%		
	E12		99.5%		
HEPA*	H13	EN 1822-1	99.95%		HEPA H13 = 99.95 %

\* High Efficiency Particle Air filter, \*\* Most Penetrating Particle Size



## Single-Phase Dust Extractors

# DC 1800<sup>H</sup>

This machine is particularly suitable for general cleaning and source extraction from handheld power tools (with suction casings up to Ø125 mm/5") and small table saws.

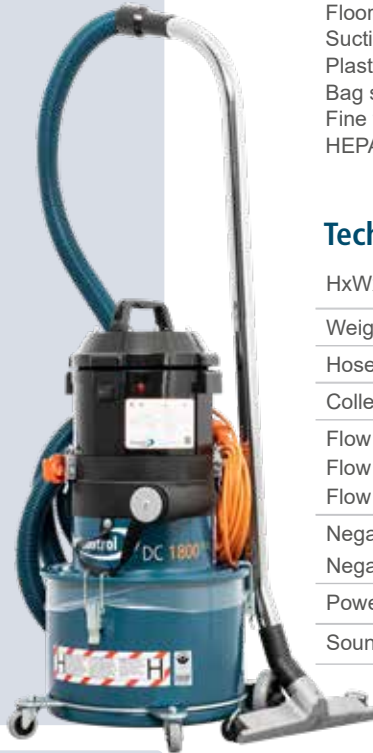
The DC 1800 H is equipped with a container. A plastic bag can be used inside the container to facilitate the emptying of dust and other material.

### Part No DC 1800 H

101800	230V /50Hz, EU
101801	230V /50Hz Auto start*, EU
101808	230V /50Hz, CH
101810	115V /50Hz, UK
101820	230V /50Hz, UK
101830	115V /60Hz, US/CAN
101809	230V /50Hz, AU

1-phase

eco



### Supplied with (Part No)

Suction hose (Ø38 mm/1.5"), 5 m (2111)  
 Suction hose, antistatic (Ø38 mm/1.5"), 5 m/16 ft (2012)  
 UK/US/CAN models  
 Connecting sleeve (2115)  
 Coupling socket (2108)  
 Floor nozzle (B370 mm/W17") (7235)  
 Suction pipe (Ø38 mm/1.5") (7257)  
 Plastic bag (42291)  
 Bag support frame (42369)  
 Fine filter, cellulose (42029)  
 HEPA H13 filter (42027)

### Technical data

HxWxD [mm/in]	780x405x390/31x16x15
Weight [kg/lb]	14/31
Hose length Ø38 mm /1.5" [m/ft]	5/16
Collection container [l/gal]	20/5.2
Flow max, fan, EU [m³/h]	205
Flow max, fan, UK 115V/230V [m³/h]	190/205
Flow max, fan, US/CAN 115V [cfm]	126.5
Negative pressure, max, EU/UK [kPa]	24
Negative pressure, max, US/CAN [inwg]	84
Power 115/230V [W]	1340/1285
Sound level [dB(A)]	68

# DC 1800<sup>XL</sup>

The DC 1800 XL is especially suited for parquet grinding and other working operations that produce light dust. Suitable for general cleaning and source extraction from handheld power tools (with up to 5" suction casings) and small table saws. It is slim, lightweight and ideal for those that need a highly portable machine that is powerful enough for source extraction. Equipped with a steel container.

### Part No DC 1800 XL

101880	230V /50Hz, EU
101881	230V /50Hz, Auto start*, EU
101884	230V /50Hz, UK
101885	115V /60Hz, USA
101887	115V /60Hz, CAN
101888	230V /50Hz, CH

1-phase

eco



### Supplied with (Part No)

Suction hose antistatic (Ø38 mm 1.5") 5 m (2012+2114)  
 Coupling socket 50/38 (2108)  
 Fine filter, cellulose (42029)  
 HEPA H13 filter (42027)

### Technical data

HxWxD [mm/in]	1160x380x380/46x15x15
Weight [kg/lb]	19/42
Hose length Ø38 mm /1.5" [m/ft]	5/16
Collection container [l/gal]	60/15.9
Flow max, fan, EU [m³/h]	205
Flow max, fan, UK 115V/230V [m³/h]	190/205
Flow max, fan, US/CAN 115V [cfm]	126.5
Negative pressure, max, EU/UK [kPa]	24
Negative pressure, max, US/CAN [inwg]	84
Power 115/230V [W]	1340/1285
Sound level [dB(A)]	68

\*) DC 1800 Auto start. Plug the handheld power tool into the power socket on the unit. Set the selector switch to the AUTO position. The dust extractor will start automatically when the power tool is started. Power connected tool – min 200 W.

With plastic bag

# DC 2900

The DC 2900c is our most popular dust extractor. It is suitable for vacuum cleaning and source extraction from handheld power tools (with suction casings up to Ø125 mm/5") and small table saws. The DC 2900c has a sturdy steel chassis with large wheels, but is still light and portable.

## Part No DC 2900c

120000	230V /50Hz, EU
120003	230V /50Hz, UK
120008	230V /50Hz, CH
120013	115V /50Hz, UK
120015	115V /60Hz, US/CAN
120100	230V /50Hz, Auto start*, EU
120103	230V /50Hz, Auto start*, UK
120009	230V /50Hz, AU



## Supplied with (Part No)

- Suction hose (Ø38 mm/1.5"), 5 m/16 ft (2111)
- Suction hose, antistatic (Ø38 mm/1.5"), 5 m/16 ft (2012) UK/US/CAN models
- Connecting sleeve (2115)
- Coupling socket (2108)
- Floor nozzle B370/W17" (7235)
- Suction pipe Ø38 mm/1.5" (7257)
- Plastic bag (42702)
- Fine filter, cellulose (42029)
- HEPA H13 filter (42027)

## Technical data

HxWxD [mm/in]	1110x445x570/44x17x22
Weight [kg/lb]	16/35
Hose length Ø38 mm /1.5" [m/ft]	5/16
Collection container [l/gal]	20/5.3
Flow max, fan, EU [m³/h]	205
Flow max, fan, UK 115V/230V [m³/h]	190/205
Flow max, fan, US/CAN 115V [cfm]	126.5
Negative pressure, max, EU/UK [kPa]	24
Negative pressure, max, US/CAN [inwg]	96
Power 115/230V [W]	1284/1285
Sound level [dB(A)]	68

With container

# DC 2900<sup>H</sup>

Collection in a container makes the DC 2900a H ideal to use for sharp material such as metal chips.

## Part No DC 2900a H

121000	230V /50Hz, EU
121003	230V /50Hz, UK
121008	230V /50Hz, CH
121013	115V /50Hz, UK
121015	115V /60Hz, US/CAN
121100	230V /50Hz, Auto start*, EU



## Supplied with (Part No)

- Suction hose, antistatic (Ø38 mm/1.5"), 5 m/16 ft, (2012)
- Floor nozzle B370 /W17" (7235)
- Suction pipe Ø38 mm/1.5" (7257)
- Fine filter, polyester (42028)
- HEPA H13 filter (42027)

## Technical data

HxWxD [mm/in]	1145x445x630/45x17x25
Weight [kg/lb]	22/48
Hose length Ø38 mm /1.5" [m/ft]	5/16
Collection container [l/gal]	40/10.6
Flow max, fan, EU [m³/h]	205
Flow max, fan, UK 115V/230V [m³/h]	190/205
Flow max, fan, US/CAN 115V [cfm]	126.5
Negative pressure, max, EU/UK [kPa]	24
Negative pressure, max, US/CAN [inwg]	96
Power 115/230V [W]	1285/1285
Sound level [dB(A)]	68

\*) DC 2900 Auto start. Plug the handheld power tool into the power socket on the unit. Set the selector switch to the AUTO position. The dust extractor will start automatically when the power tool is started. Power connected tool – min 200 W.





## What do the letters mean against our products?

These letters describe which collection container comes with our machines. For our twin-models we use a combination, CL, AA and CA.

We also use abbreviations for the various performance, usage and material of the machines. We hope this will make your selection easier and quicker.

### Collection Containers:

- c Bag
- a Container
- L Longopac bag

### Performance, Usage and Material:

- H This device is H-classified and third party certified by a notified body according to EN 60335-2-69 Annex AA.
- P Turbo pump in Parallel drive
- S Turbo pump in Serial drive
- TR Compressed air driven
- EX ATEX
- SS Stainless Steel container/cyclone
- I Industry-line
- LPG Liquid Propane Gas powered
- Turbo Turbo-3-phase motor
- DCF Pre-Separator

# Single-Phase Dust Extractors

With Longopac

## DC 2900

The DC 2900 is our most popular dust extractor. It is suitable for vacuum cleaning and source extraction from handheld power tools (with suction casings up to Ø125 mm/5") and small table saws.

We are now launching DC 2900L with Longopac output, a flexible bag system, where dust is collected in a closed system. The DC 2900L can be ordered with a plastic bag/Longopac (DC 2900c/DC 2900L) or a container (DC 2900a).

### Part No DC 2900L

122000	230V, EU
122003	230V, UK
122008	230V, CH
122013	115V, UK
122015	115V, UL
122100	230V, Auto start*, EU
122108	230V, Auto start*, EU
122009	230V, AU

### Supplied with (Part No)

Suction hose (Ø38 mm/1.5"), 5 m/16 ft (2111)  
Suction hose, antistatic (Ø38 mm/1.5"), 5 m/16 ft (2012) UK/US/CAN models  
Connecting sleeve (2114)  
Coupling socket (2108)  
Floor nozzle B370/W17" (7235)  
Suction pipe Ø38 mm/1.5" (7257)  
Longopac mini 12 (44763)  
Fine filter, cellulose (42029)  
HEPA H13 filter (42027)

### Accessories (Part No)

Longopac mini 12 (6 pcs á 12 m) (44763)  
Longopac mini 23 (4 pcs á 23 m) (432177)



\*) DC 2900 Auto start. Plug the handheld power tool into the power socket on the unit. Set the selector switch to the AUTO position. The dust extractor will start automatically when the power tool is started. Power connected tool – min 200 W.

### Technical data

HxWxD [mm/in]	1110x445x570/44x17x22
Weight [kg/lb]	19/42
Hose length Ø38 mm /1.5" [m/ft]	5/16
Collection container [m/ft]	Longopac
Flow max, fan, EU [m³/h]	205
Flow max, fan, UK 115V/230V [m³/h]	190/205
Flow max, fan, US/CAN 115V [cfm]	126.5
Negative pressure, max, EU/UK [kPa]	24
Negative pressure, max, US/CAN [inwg]	96.4
Power 115V/230V [W]	1340/1285
Sound level [dB(A)]	68



## Single-Phase Dust Extractors

# DC Tromb H 400

Dustcontrol has taken the DC Tromb H 400 to a new level. There are now three new versions within the Tromb family: DC Tromb H 400 dust extractor, DCF Tromb pre-separator and a DC Tromb Twin dust extractor and pre-separator in one.

As always, we are focusing to meet modern safety requirements along with an ergonomic and modular function. One of the major updates is that the new DC Tromb Twin model is separable. The dust extractor and pre-separator are easily detached and re-assembled from each other making transport simple.

Other important updates include a simpler filter change system and a motor package that is easier to remove. As well as that, improved motors and a sturdier chassis mean that the whole range has gone through a major expansion and upgrade.



### Part No DC Tromb H 400

171500	c	230V 3000W, EU
171501	c	115V, UK
171502	c	115V, US
171503	c	2600W 230, UK
171507	c	115V, CAN
171508	c	230V 3000W, CH
171530	L	230V 3000W, EU
171531	L	115V, UK
171532	L	115V, US
171533	L	230V 2600W, UK
171537	L	115V, CAN
171538	L	230V 3000W, CH
172000	a	230V 3000W, EU
172001	a	115V, UK
172002	a	115V US
172003	a	230V /2600W, UK
172008	a	230V /3000W, CH
172500	cc	230V /3000W, EU
172507	cc	TWIN 115V, CAN
172530	cL	TWIN 230V /3000W, EU
172531	cL	TWIN 115V, UK
172532	cL	TWIN 115V, US
172537	cL	TWIN 115V, CAN
172538	cL	TWIN 230V /3000W, CH
172540	aL	TWIN 230V /3000W, EU
172520	aa	TWIN 230V /3000W, EU
172523	aa	TWIN 230V /2600W, UK
172528	aa	TWIN 230V /3000W, CH
172550	LL	TWIN 230V /3000W, EU
172552	LL	TWIN 115V, US
172557	LL	TWIN 115V, CAN
172539	cL	TWIN 230V /3000W, AU
171539-1	L	230V 2600W, AU
171539	L	230V 3000W, AU

1-phase



### Supplied with (Part No)

Connecting sleeve (2129)  
Coupling socket (2008)  
Suction hose antistatic (Ø50 mm /2") 5 m /16 ft (2013)  
Suction hose (Ø50 mm /2") 5 m /16 ft (2401) for model 171500 and 171508  
Floor nozzle B500 mm /W 19.7" (7238)  
Suction pipe (Ø50 mm /2") (7265)  
Fine filter, polyester (44017)  
HEPA H13 filter (44016)

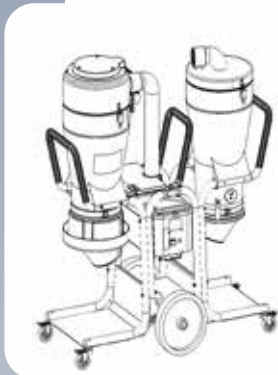
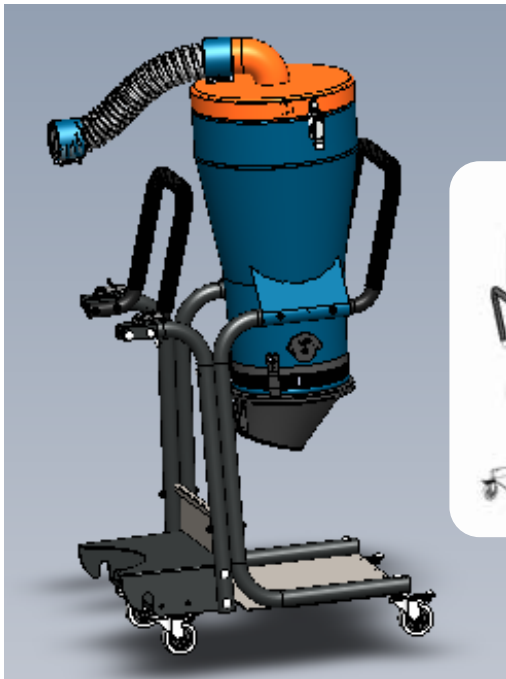
### Discharge

a) 40 l /10.6 US gal container (40070) and 5 x plastic bags (42285)  
c) 10 x plastic bags (43619)  
L) Longopac 25 m /82 ft (432177)

### Technical data

HxWxD [mm/in]	1415x600x780/56x23x31
Weight [kg/lb]	a) 50/110.2 c) 46/101.4 L) 50/110.2
Inlet Ø [mm/in]	76/3
Collection container [l/gal]	a) 40/10.6 c) 20/5.3 L) Longopac
Flow max, fan, EU [m³/h]	420
Flow max, fan, UK 115V/230V [m³/h]	360/420
Flow max, fan, US/CAN 115V [cfm]	212
Negative pressure, max, EU/UK [kPa]	21 (+/- 10%)
Negative pressure, max, US/CAN [inwg]	84
Power 115/230V [W]	2100/2680/3000
Sound level [dB(A)]	70





## DC Tromb<sup>H</sup> Twin

### Supplied with (Part No)

Antistatic hose set (Ø50 mm /2") mm x 7,5 m/25 ft  
 (Part No 2013+2129+2008)  
 Floor nozzle (B500 mm /W 19.7") (7238)  
 Suction pipe (Ø50 mm /2") (7265)  
 a-model (AA, AL) 5 x plastic bags (42285)  
 c-model (CC) 10 x plastic bags (43619)  
 L-model (CL) Longopac 25 m (432177)  
 + 10 x plastic bags (43619)  
 Fine filter, polyester (44017)  
 HEPA H13 filter (44016)

### Technical data

HxWxD [mm/in]	1415x600x1280/56x23x50
Weight [kg/lb]	cc) 71/157 cL) 80/177
Inlet Ø [mm/in]	76/3
Collection container [l/gal]	C) 20/5.3 L) Longopac
Flow max, fan, EU [m <sup>3</sup> /h]	420
Flow max, fan, UK 115V/230V [m <sup>3</sup> /h]	360/420
Flow max, fan, US/CAN 115V [cfm]	212
Negative pressure, max, EU/UK [kPa]	21 (+/- 10%)
Negative pressure, max, US/CAN [inwg]	84
Power 115/230V [W]	2100/2680/3000
Sound level [dB(A)]	70

### Accessoires for DC Tromb Twin

With a DCF Tromb Kit you can connect the dust extractor DC Tromb Twin with the pre-separator DCF Tromb.

DCF Tromb Kit L (707010)  
 DCF Tromb Kit c (707011)  
 DCF Tromb Kit a (707012)

## Single-Phase Dust Extractors

# DC 3800

The DC 3800 Wood Shavings Extractor is designed especially to be connected to the carpentry equipment. It is suitable for source extraction on most saws where continuous operation and a high degree of separation is required. The DC 3800 Wood Shavings Extractor is a robust mobile machine that is easy to move around.

As with all of Dustcontrol's mobile dust extractors, the DC Wood Shavings Extractor is very easy to service.

### Part No DC 3800 Wood Shavings Extractor

118400 230V /50Hz, EU



## Wood Shavings Extractor

### Supplied with (Part No)

Connecting sleeve (2129)  
Suction hose Ø50 mm/2", 7.5 m/ 22 ft antistatic (2013)  
Floor nozzle B 500 mm / W 19.7" (7238)  
Suction pipe Ø50 mm/2" (7265)  
Plastic bag (4714)  
Fine filter, polyester (42025)  
HEPA H13 filter (42024)



### Technical data

HxWxD [mm/in]	1390x560x697/55x22x27
Weight [kg/lb]	37/81.6
Hose length Ø50 mm [m/ft]	7.5/22
Collection container [l/gal]	90/23.8
Flow max, fan, EU [m³/h]	320
Negative pressure, max, EU [kPa]	24
Power 115/230V [W]	2600
Sound level [dB(A)]	70

## Three-Phase Dust Extractors

The DC Tromb Turbo Twin is the successor to the DC 3900 Turbo Twin and, like this, a very powerful dust extractor. It is particularly suitable for concrete grinding since 80–90% of the coarse materials are separated in the pre-separator. The remaining dust goes into the filter cyclone.



# DC Tromb Turbo Twin NEW!



### Part No DC Tromb Turbo Twin

173320 aa 2.2kW, EU  
173340 LL 2.2kW, EU

### Technical data

HxWxD [mm/in]	1415x600x 380/56x24x54
Weight [kg/lb]	a) Container 112/247 L) Longopac 112/247
Collection container [l/gal]	a) 40/10.6 L) Longopac
Flow max, fan, EU [m³/h]	249
Negative pressure, max, EU [kPa]	29
Power [kW]	2.2
Sound level [dB(A)]	72

## Three-Phase Dust Extractors

With **direct start**

# DC Tromb Turbo

The DC Tromb Turbo is a medium sized dust extractor that expands the Tromb family. It is equipped with a powerful three-phase turbo motor which is suitable for heavy cleaning (38 mm/1.5" accessories) and is delivered with 7 m hose. Suitable for source extraction from medium sized power tools such as grinders, jack hammers and saws. Thanks to the tall cyclone, large filters and powerful motor package, it can handle large amounts of debris.

### Part No DC Tromb Turbo a/c/L

173500	a	2.2kW, EU
173100	c	2.2kW, EU
173300	L	2.2kW, EU
173502	a	4hp 460V /60Hz, US
173102	c	4hp 460V /60Hz, US
173302	L	4hp 460V /60Hz, US
173107	c	4hp 600V /60Hz, CAN



### Supplied with (Part No)

Suction hose set, 7 m /23 ft, 5 m /16 ft (Ø50 mm /2") and 2 m /6.5 ft (Ø38 mm /1.5"), (2126)  
 Floor nozzle B450 mm (7236)  
 Suction pipe (Ø38 mm /1.5") (7257)  
 Connecting sleeve (2114)  
 Coupling socket (2107)  
 Fine filter, polyester (44017)  
 HEPA H13-filter (44016)  
 a-model 5 x plastic bags (42285)

### Technical data

HxWxD [mm/in]	1415x600x840/56x23x33
Weight [kg/lb]	a) Container 88/194 c) Bag 84/185 L) Longopac 86/190
Collection container [l/gal]	a) 40/10.6 c) 20/5.3 L) Longopac
Flow max, fan, EU [m³/h]	260
Flow max, fan, US/CAN [cfm]	186
Negative pressure, max, EU [kPa]	28
Power [kW]	2.2
Sound level [dB(A)]	72

With **frequency inverter (VFD)**

# DC Tromb Turbo

DC Tromb Turbo is also available with a frequency inverter (VFD) and we would like to introduce the Longopac version. This model gives approx. 50% more filter area on the HEPA filter than its predecessor (5% more filter area for the fine filter). New safety features such as overheating protection is added. With the semi automatic filter cleaning and quick coupling for filter change, this machine gets the job done.

### Part No DC Tromb Turbo VFD a/c/L

173400	a	2.2kW, EU
173000	c	2.2kW, EU
173200	L	2.2kW, EU



### Supplied with (Part No)

Connecting sleeve (2129)  
 Coupling socket (2008)  
 Suction hose antistatic (Ø50 mm /2") 5 m/16 ft (2013)  
 Floor nozzle B500 mm /W 19.7" (7238)  
 Suction pipe (Ø50 mm /2") (7265)  
 Fine filter, polyester (44017)  
 HEPA H13 filter (44016)  
 a-model 5 x plastic bags (42285)

### Technical data

HxWxD [mm/in]	1415x600x840/56x23x33
Weight [kg/lb]	a) Container 96/212 c) Bag 92/202 L) Longopac 94/207
Collection container [l/gal]	a) 40/10.6 c) 20/5.3 L) Longopac
Flow max, fan, EU [m³/h]	400
Negative pressure, max, EU [kPa]	30
Power [kW]	2.2
Power Frequency Converter [kW]	4
Sound level [dB(A)]	84



## Three-Phase Dust Extractors

# DC Storm

## Powerful, reliable and safe mobile dust extraction

The DC Storm is a powerful and reliable mobile dust extractor. They are built on a robust and sturdy steel chassis for maximum durability, for example on construction sites. With a direct-driven, three-phase turbopump, the DC Storm is suitable for continuous operation, conveying heavy material away, source extraction and cleaning.

The DC Storm provides sufficient air flow for several users at the same time and it can also be used as a semi-mobile central unit in a tubing system. It is suitable for source extraction for grinding discs up to approx. 800 mm/ 31" in diameter.

Three basic models are available: bag (c), container (a) and Longopac (L), each powered by a 4 kW, 7.5 kW or a 10 hp motor.

The DC Storm 700 is also equipped with a frequency converter, very useful when only 16A are available. This machine is equipped with a PTFE filter extracting large quantities of concrete dust and is suitable for example floor grinding.

Info of all our models – DC Storm 500, DC Storm 600 and DC Storm 700 is presented on the following pages.

### Part No DC Storm 500 c/a/L

119400	c	400V /50Hz /4kW
119402	a	400V /50Hz /4kW
119430	L	400V /50Hz /4kW



## DC Storm 500 With plastic bag

### Supplied with (Part No)

Coupling socket (2107)
Coupling socket (2008)
Suction hose (Ø50 mm /2") 7.5 m /22 ft (2401)
Floor nozzle B500 mm /W 19.7" (7238)
Suction pipe (Ø50 mm /2") (7265)
10 x plastic bags (46145)
Fine filter, polyester (44212)
HEPA H13 filter (42869)

### Technical data

HxWxD [mm/in]	1790x780x1160/70x31x46
Weight [kg/lb]	178/392.4
Collection container [l/gal]	60/15.9
Flow max, fan, EU [m³/h]	500
Negative pressure, max, EU [kPa]	25
Power [kW]	4
Sound level [dB(A)]	75



**DC Storm** 500 With **container**

**Supplied with** (Part No)

- Coupling socket (2107)
- Coupling socket (2008)
- Suction hose antistatic (Ø50 mm /2") 7.5 m/22 ft (2013)
- Floor nozzle B500 mm /W 19.7" (7238)
- Suction pipe (Ø50 mm /2") (7265)
- Container 75 l /20 US gal (7368)
- Fine filter, polyester (44212)
- HEPA H13 filter (42869)

**Technical data**

HxWxD [mm/in]	1790x780x1160/70x31x46
Weight [kg/lb]	180/396.8
Collection container [l/gal]	75/19.8
Flow max, fan, EU [m³/h]	500
Negative pressure, max, EU [kPa]	25
Power [kW]	4
Sound level [dB(A)]	75



**DC Storm** 500 With **Longopac**

**Supplied with** (Part No)

- Coupling socket (2107)
- Coupling socket (2008)
- Suction hose antistatic (Ø50 mm /2") 5 m/16 ft (2013)
- Floor nozzle B 500 mm /W 19.7" (7238)
- Suction pipe (Ø50 mm /2") (7265)
- Longopac 25 m /82 ft (44077)
- Fine filter, polyester (44212)
- HEPA H13 filter (42869)

**Technical data**

HxWxD [mm/in]	1790x780x1160/70x31x46
Weight [kg/lb]	178/392
Collection container [mm/ft]	Longopac 25/82 flexible
Flow max, fan, EU [m³/h]	500
Negative pressure, max, EU [kPa]	25
Power [kW]	4
Sound level [dB(A)]	75

## Three-Phase Dust Exctrators

# DC Storm 600

## DC Storm 600c

### Supplied with (Part No)

Coupling socket (2107)  
Coupling socket (2008)  
Suction hose antistatic (Ø50 mm /2")  
7.5 m/22 ft (2013)  
Floor nozzle B500 mm /W 19.7" (7238)  
Suction pipe (Ø50 mm /2") (7265)  
10 x plastic bags (46145)  
Fine filter, polyester (44212)  
HEPA H13 filter (42807)

## DC Storm 600a

### Supplied with (Part No)

Coupling socket (2107)  
Coupling socket (2008)  
Suction hose antistatic (Ø50 mm /2")  
7.5 m/ 22 ft (2013)  
Floor nozzle B500 mm /W 19.7" (7238)  
Suction pipe (Ø50 mm /2") (7265)  
Container 75 l /20 US gal (7368)  
Fine filter, polyester (44212)  
HEPA H13 filter (42807)

## DC Storm 600L PTFE

### Supplied with (Part No)

Coupling socket (2107)  
Coupling socket (2008)  
Suction hose antistatic (Ø50 mm /2")  
7.5 m/22 ft (2013)  
Floor nozzle B500 mm /W 19.7" (7238)  
Suction pipe (Ø50 mm /2") (7265)  
Longopac 25 m /82 ft (44077)  
Fine filter, PTFE (44081)  
HEPA H13 filter (42807)

### Technical data

HxWxD [mm/in]	1790x780x1160/70.5x31x45.5
Weight [kg/lb]	201/443
Collection container [l/gal]	60/13.6
Flow max, fan, US/CAN [cfm]	353
Negative pressure, max, US/CAN [inwg]	96
Power [hp]	10
Sound level [dB(A)]	75

### Technical data

HxWxD [mm/in]	1790x780x1160/70.5x31x45.5
Weight [kg/lb]	203/447.5
Collection container [l/gal]	75/17
Flow max, fan, US/CAN [cfm]	353
Negative pressure, max, US/CAN [inwg]	96
Power [hp]	10
Sound level [dB(A)]	75

### Technical data

HxWxD [mm/in]	1790x780x1160/70.5x31x45.5
Weight [kg/lb]	201/443
Collection container [mm/ft]	Longopac 20/65 flexible
Flow max, fan, US/CAN [cfm]	353
Negative pressure, max, US/CAN [inwg]	96
Power [kW]	7.4
Sound level [dB(A)]	75



### Part No DC Storm 600c

119407 460V /60Hz /10hp, US  
119436 220/380V /60Hz /10hp, US  
119408 600V /60Hz /10hp, CAN

### Part No DC Storm 600a

119409 460V /60Hz /10hp, US  
119437 220/380V /60Hz /10hp, US  
119410 600V /60Hz /10hp, CAN

### Part No DC Storm 600L PTFE

119434 460V /60Hz /10hp, US  
119435 220/380V /60Hz /10hp, US





## Three-Phase Dust Extractors

# DC Storm 700

The DC Storm 700 is also equipped with a frequency converter, very useful when only 16A are available. This machine is equipped with a PTFE filter extracting large quantities of concrete dust and is suitable, for example, floor grinding.

## DC Storm 700c

### Supplied with (Part No)

Coupling socket (2107)  
Coupling socket (2008)  
Suction hose (Ø50 mm /2") 7.5 m/  
22 ft (2401)  
Floor nozzle B500 mm /W 19.7" (7238)  
Suction pipe (Ø50 mm /2") (7265)  
10 x plastic bags (46145)  
Fine filter, polyester (44212)  
HEPA H13 filter (42807)

## DC Storm 700a

### Supplied with (Part No)

Coupling socket (2107)  
Coupling socket (2008)  
Suction hose antistatic (Ø50 mm /2")  
7.5 m/ 22 ft (2013)  
Floor nozzle B500 mm /W 19.7" (7238)  
Suction pipe (Ø50 mm /2") (7265)  
Container 75 l /20 US gal (7368)  
Fine filter, polyester (44212)  
HEPA H13 filter (42807)

## DC Storm 700L PTFE

### Supplied with (Part No)

Coupling socket (2107)  
Coupling socket (2008)  
Suction hose antistatic (Ø50 mm /2")  
7.5 m/22 ft (2013)  
Floor nozzle B500 mm /W 19.7" (7238)  
Suction pipe (Ø50 mm /2") (7265)  
Longopac 25 m /82 ft (44077)  
Fine filter, PTFE (44081)  
HEPA H13 filter (42807)

### Technical data

HxWxD [mm/in]	1790x780x1160/70x31x46
Weight [kg/lb]	210/463
Collection container [l/gal]	60/15.9
Flow max, fan, EU [m³/h]	700
Negative pressure, max, EU [kPa]	22
Power [kW]	7.5
Sound level [dB(A)]	75

### Technical data

HxWxD [mm/in]	1790x780x1160/70x31x46
Weight [kg/lb]	214/472
Collection container [l/gal]	75/20
Flow max, fan, EU [m³/h]	700
Negative pressure, max, EU [kPa]	22
Power [kW]	7.5
Sound level [dB(A)]	75

### Technical data

HxWxD [mm/in]	1790x780x1160/70x31x46
Weight [kg/lb]	212/467.4
Collection container [l/gal]	Longopac 25/82 flexible
Flow max, fan, EU [m³/h]	700
Negative pressure, max, EU [kPa]	22
Power [kW]	7.5
Sound level [dB(A)]	75



### Part No DC Storm 700c/a

119403 DC Storm 700c, 400V /50Hz VFD  
119418 DC Storm 700a, 400V /50Hz VFD

### Part No DC Storm 700L PTFE

119419 400V /50Hz /7.5 kW VFD

## Three-Phase Dust Extractors

# DC 5900 9.2kW S

This machine is primarily intended to be used for pneumatic conveying or the removal of very heavy material in conjunction with a pre-separator. The extra-large suction capacity can also be utilised for regular source extraction and cleaning, in situations where extra long hoses up to 50 m are required. To prevent overheating during intensive use, the pump has been equipped with a cold air intake.

The reverse pulse filter cleaning system provides extra-long filter life and ensures no loss of suction.

### Part No DC 5900 9.2 kW S

119341 a 400V /50Hz  
119340 c 400V /50Hz

3-phase 



### Supplied with (Part No)

#### Discharge

- a) 75 l /20 US gal container (40070)
- c) 10 x plastic bags (46145)

Fine filter, polyester (429204)  
HEPA H13 filter (42807)

### Technical data

HxWxD [mm/in]	1942x780x1160/76x30x45
Weight [kg/lb]	200/440.9
Collection container [l/gal]	a) Container 75/19.8 c) Bag 60/15.8
Flow max, fan, EU [m <sup>3</sup> /h]	500
Flow max, fan, US/CAN 115V [cfm]	294.3
Negative pressure, max, EU [kPa]	40
Negative pressure, max, US/CAN [inwg]	161
Power [kW]	9.2
Sound level [dB(A)]	75

# DC 5900 9.2kW P

DC 5900 9.2kW P, is a powerful machine with sufficient capacity to support up to three users simultaneously with tasks such as cleaning with Ø38mm cleaning equipment and two more operators with hand-held grinders, saws, drills or with two users with Ø50mm cleaning equipment.

The machine is especially suitable for placed in the basement and with a standing Ø76mm pipe or hose system installed as a riser in stairwells. At each floor, you can then effectively connect the machine's hose through a manifold with flap valve.

### Part no DC 5900 9.2kW P a/c/L

119301 a 75 l container  
119305 c 60 l bag  
119333 L Longopac  
119336 L 460V /15hp 60Hz, US/CAN  
119314 c 460V /15hp 60Hz, US/CAN  
119315 a 460V /15hp 60Hz, US/CAN  
119316 c 600V /15hp 60Hz, US/CAN  
119317 a 600V /15hp 60Hz, US/CAN

3-phase 



### Supplied with (Part No)

#### Discharge

- a) 75 l /20 US gal container (40070)
- c) 10 x plastic bags (46145)
- L) Longopac 25 m /82 ft (44077)

Fine filter, polyester (4292)  
HEPA H13 filter (42807)

### Technical data

HxWxD [mm/in]	1942x780x1160 /76x30x45
Weight [kg/lb]	210/463
Collection container [l/gal]	a) Container 75/19.8 c) Bag 60/15.8, L) Longopac
Flow max, fan, EU [m <sup>3</sup> /h]	800
Flow max, fan, US/CAN [cfm]	470.9
Negative pressure, max, EU [kPa]	28
Negative pressure, max, US/CAN [inwg]	112
Power [kW]	9.2
Sound level [dB(A)]	75

### Accessoires for DC 5900 9.2kW P c/a

Adapt the DC 5900 c into the Longopac solution with the following kit:

Adaption Kit for Longopac Midi (44248)





# I-Line – Quiet and Powerful

In some industrial applications, a portable dust extractor is preferred over a stationary system. In some of these industrial settings, sound can be a detriment or health hazard, a quiet unit is often desirable. Dustcontrol's I-line are as portable indoor vacuum units since the vacuum producer is highly sound insulated.

The I-line dust extractors can be docked to a permanent or temporary tubing system. Ideally these units are used for sour-

ce extraction with handheld power tools, but can also be used for heavy cleaning, such as metal chips. The vacuum producer is a turbo pump directly driven by a three-phase motor, providing reliability, long life and minimal service requirements. The characteristics of the turbo pump are well suited for heavy cleaning and material transport – the greater the resistance, the more vacuum generated.

## DC 3800 I 3-phase H

The DC 3800i combines central system performance with the flexibility of a portable machine. It is used with Ø1.5"/38 mm accessories for heavier applications such as lathes and milling machines that generate large volumes of particles and chips. It is suitable for welding, metal chip, aluminum chips, swarf, material transport and cleaning.

### Part No DC 3800 I

13556A05K0 230/ 400V /50Hz, 2.2 kW  
117206 230/ 460V /60Hz, 4 hp, USA/CAN



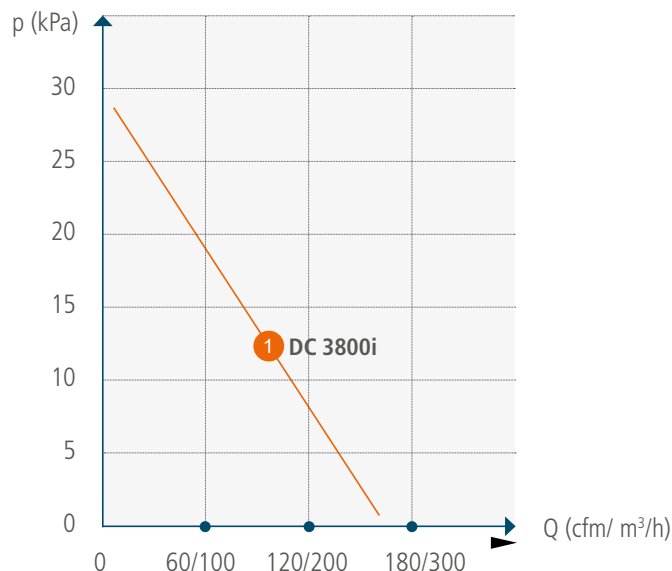
### Supplied with (Part No)

**13556A05K0:** Suction hose 7 m (5 m Ø50 and 2 m Ø38, standard) (2125)

**117206:** Antistatic hose set total 23'/ 7 m (Ø 1.5" x 6' + Ø2" x 17'/Ø 38 mm x 2 m + Ø50 mm x 5 m) (2126 + 2107 + 2114):

- Aluminium floor tool B 450, Ø1.5"/38 mm (7236)
- Suction pipe Ø1.5"/38 mm (7257)
- Chrome steel flat nozzle, Ø1.5"/38 mm, L=16"/400 mm (7213)
- Suction brush Ø1.5"/Ø38 (7278)
- Hand pipe Ø1.5"/Ø38 (7035)
- Container 10.5 gal/40 l (40070)
- Fine filter, polyester (42025)

### Capacity Air flow DC 3800i – I-Line



### Technical data

HxWxD [mm/in]	590x270x440/147x66x110
Weight [kg/lb]	86/190
Inlet [mm/in]	Ø50/2
Hose length max rec	15'–90' (Ø 2")/ 5-30 m (50 mm)
Collection container [l/gal]	40/10.5
Flow max, fan, EU [m³/h]	260
Flow max, fan, US/CAN [cfm]	156
Negative pressure, max, EU [kPa]	30
Negative pressure, max, US/CAN [inwg]	120
Motor Nameplate [kW/hp]	2.2/4
Fine Filter area, [m²/ft²]	1.8/19.5
<b>Filter efficiency</b>	
(EN 60335-2-69, Class M)	99.9 %
Sound level [dB(A)]	60

# Powered by Propane

Clean burning propane and the reliability of Dustcontrol powered by a 21 hp engine. Designed for the user with class leading capacity and minimal maintenance requirements, the unit will operate approximately 8 hours on a full tank and the machine is equipped with an external self-discharging cyclonic air filter with visual filter monitor.



DC Storm LPG 

## Packed with Features

- Effective reverse pulse cleaning on the main filter. Extends filter life.
- High efficiency, true cyclonic primary dust separation. Relieves filter loading, minimizes down-time and maximizes up-time.
- H13 HEPA filtration. Filters even the most dangerous respirable particulate and keeps your crew safe.
- Large pneumatic wheels, locking casters and an ergonomic handle. Easily moved and manoeuvred.
- Integrated fork pockets in the chassis for ease of loading and movement from place to place.
- Reliable belt drive and automatic mechanical clutch.
- Low maintenance 21 hp motor with standard oil cooler and low oil pressure shut down.
- Three way catalytic muffler, O<sub>2</sub> sensor, auto shut-down and alarm indication.
- Key start and all operator controls in one place.
- Remote battery charger hook up point and LED battery monitor.
- 2 x 18 W LED Work Lamps for when you get into those out of the way places.
- 2 x USB outlets to keep your mobile devices charged.

## Supplied with (Part No) Discharge

- a) 75 l /20 US gal container (40070)
- c) 10 x plastic bags (46145)
- L) Longopac 25 m /82 ft (44077)

Work lamp (44410)  
Finefilter, PTFE (44081)  
HEPA H13filter (42807)

## Technical data

HxWxD [mm/in]	1800x7900x1600/70x31x63
Weight [kg/lb]	375/826
Tank volume [kg/lb]	15.4/33½
Collection container [m/ft]	Longopac 25/82 flexible
Flow max, fan, EU [m³/h]	820
Flow max, fan, UK/US/CAN [cfm]	483
Negative pressure, max, EU [kPa]	30
Negative pressure, max, UK/US/CAN [inwg]	120
Engine power (Vanguard) [hp]	21
Final filtration	HEPA H13 filter
Sound level [dB(A)]	79

## Part No DC Storm LPG c/L

119902	DC Storm LPG a
119900	DC Storm LPG c
119901	DC Storm LPG L



## EX-Line

DC 1800 H EX

DC 2800 H EX



DC 1800 H EX

DC 2800 H EX

### Part No DC 1800 H EX

124000	230V /50/60Hz, EU
124001	230V /50/60Hz, UK
124002	115V /50/60Hz, UK
124003	115V /50/60Hz, US/CAN

### Part No DC 2800 H EX

124100	230V /50/60Hz, EU
124101	230V /50/60Hz, UK
124103	115V /50/60Hz, US/CAN



II 3D Ex tc IIIB T5 Dc IP54 10°C <=ta <=30°C



## EX-Line

The DC 1800 and 2800 H EX are suitable for general cleaning and source extraction. The DC 1800 H EX is small and lightweight and as such, suitable for those that need a highly portable machine that still is powerful enough for source extraction. The DC 1800 and 2800 H EX are equipped with a steel container. The machines are equipped with a brushless motor (for spark-free operation) and certified to IP54 standard (non conductive dust).

The EX-line is especially designed for industries where there is a risk of explosion and also high demands for clean production, such as the wood, food production and electronics industries. The machines fulfil the requirements of the ATEX Zone 22 directive 2014/34/EU. Cleaning accessories from Dustcontrol are also available to meet these regulations.

Zone 22 is an area where an explosive environment, created by combustible airborne substances, does not occur in normal operation or only occurs short-term. These machines are equipped with steel containers, earth-bonded parts and antistatic accessories.

### The machines for non-conducting material

are enclosed to IP54 standard.

**For conductive material, IP65 standard is required.**

The machines are virtually maintenance free and can extract dust in a vast range of applications such as source extraction when using power tools for grinding, cutting and drilling applications as well as general cleaning.

### Supplied with (Part No) DC1800 / DC 2800 H EX

- Suction hose ATEX, Ø38, 5 m/ 20 in. (2027)
- Coupling socket (2115)
- Coupling socket 50/38 (2108)
- Floor nozzle (7235E)
- Suction pipe Ø38 mm/1.5" (7257)
- Plastic bag (42951)
- Fine filter, polyester, antistatic (42028-01)
- HEPA H13 filter (42027)

### Technical data DC1800 / DC 2800 H EX

HxWxD DC 1800 [mm/in]	840x400x400/33x16x16
HxWxD DC 2800 [mm/in]	1200x440x600/47x17x24
Weight DC 1800 [kg/lb]	16.5/36.4
Weight DC 2800 [kg/lb]	24.5/54
Collection container DC 1800 [l/gal]	20/5.3
Collection container DC 2800 [l/gal]	40/10.6
Flow max, fan, EU [m³/h]	200
Flow max, fan, US/CAN 115V [cfm]	117.7
Negative pressure, max, EU [kPa]	27
Negative pressure, max, US/CAN [inwg]	108.4
Power 115/230V [W]	1500/1500
Sound level [dB(A)]	70



## EX-Line

DC **1800** H EX SS

DC **2800** H EX SS



DC 1800 H EX SS

DC 2800 H EX SS

### Part No DC 1800 H EX SS

124004	230V /50/60Hz, EU
124005	115V/60Hz US/CAN
124011	230V /50/60Hz, UK

### Part No DC 2800 H EX SS

124104	115V /60Hz, US/CAN
124105	230V /50Hz, EU



Ex II 3D Ex tc IIIB T5 Dc IP54 10°C <ta <=30°C

## EX-Line

### Stainless Steel

Dustcontrol's DC 1800/2800 H EX SS are valued both for its easy handling and capacity when being used to reduce the risks of potential dust explosions in ATEX Zone 22 (non-conductive dust).

However, there are areas with high hygienic demands (e.g. the food processing industry), which surpass the abilities of our standard DC 1800/2800 H EX SS.

Suitable for operation in environments with potentially combustible dust (non-conductive); stainless steel design enables the use of alkaline wash solutions; high resistance to acids.

### Supplied with (Part No) DC1800 / DC 2800 H EX SS

Suction hose ATEX, Ø38, 5 m/ 20 in. (2027)  
Coupling socket (2115)  
Coupling socket 50/38 (2108)  
Floor nozzle (7235E)  
Suction pipe Ø38 mm/1.5" (7257)  
Plastic bag (42951)  
Fine filter, polyester, antistatic (42028-01)  
HEPA H13 filter (42027)

### Technical data DC1800 / DC 2800 H EX SS

HxWxD DC 1800 [mm/in] / DC 2800 [mm/in]	830x400x400/33x16x16
HxWxD DC 2800 [mm/in]	1200x440x600/47x17x24
Weight DC 1800 [kg/lb]	16.5/36.4
Weight DC 2800 [kg/lb]	24.5/41.9
Collection container DC 1800 [l/gal]	20/3.9
Collection container DC 2800 [l/gal]	40/10.6
Flow max, fan, EU [m³/h]	200
Flow max, fan, US/CAN 115V [cfm]	117.7
Negative pressure, max, EU [kPa]	27
Negative pressure, max, US/CAN [inwg]	108.4
Power 115/230V [W]	1500/1500
Sound level [dB(A)]	70

## EX-Line

# DC Tromb Turbo EX

The DC Tromb Turbo EX for ATEX zone 22 is a medium sized dust extractor that expands the Tromb Family. It is equipped with a powerful three-phase turbo motor suitable for heavy cleaning (38 mm/1.5" accessories) and is delivered with 7 m hose. It is certified to IP65 standard, ATEX zone 22 (conductive dust).



### Part No DC Tromb Turbo EX

**173700** 2.2 kW 400V /50Hz, EU  
**173702** 4hp 460V /60Hz, US/CAN



**Ex** II 3D T4 IP65, 10<=t<=40°C

### Supplied with (Part No)

Suction hose Ø38/50 (2027 (2m), 2028 (5 m))  
 Floor nozzle (7236E)  
 Suction pipe (Ø38 mm /1.5") (7257)  
 Antistatic Fine filter, polyester (44017-1)  
 HEPA H13-filter (44016)  
 Plastic bag (5 pcs) (42384)

### Technical data

HxWxD [mm/in]	1415x600x840/56x24x33
Weight [kg/lb]	Container 88/194
Collection container [l/gal]	40/10.5
Flow max, fan, EU [m³/h]	260
Negative pressure, max, EU [kPa]	28
Power [kW]	2.2
Sound level [dB(A)]	72

# DC 5800 Turbo EX

The DC 5800 H Turbo EX is designed for big hand-held power tools and heavy cleaning. The unit is of robust and sturdy design for maximum dependability, coupled with a direct driven turbo pump for continuous operation. It is certified to IP65 standard (conductive dust).



### Part No DC 5800 Turbo EX

**119312** 4 kW 400V /50Hz  
**119313** 10 hp 460V /60Hz



**Ex** II 3D T4 IP65, 10<=t<=40°C

### Supplied with (Part No)

Suction hose ATEX, Ø50 mm, 7.5 m (2028)  
 Floor nozzle (7238E)  
 Suction pipe, Ø50 mm/2" (7265)  
 Fine filter, antistatic (429206)  
 HEPA H13 filter (42869)  
 Plastic bag (5psc) (42111)

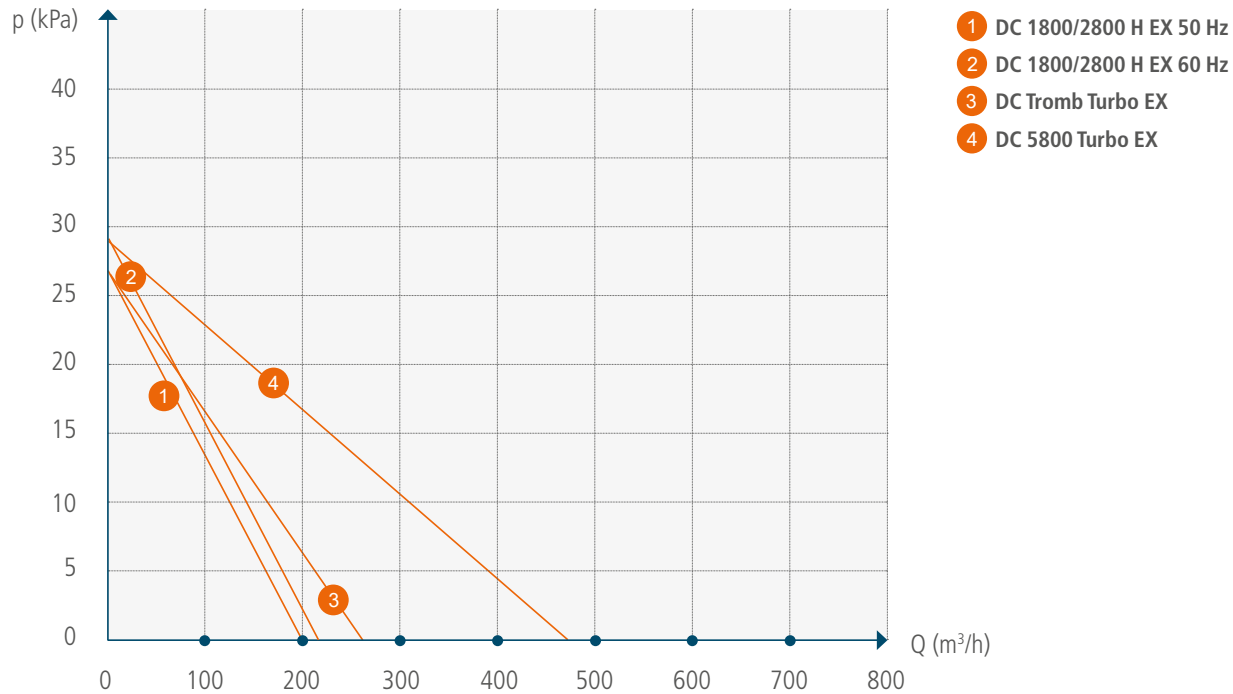
### Technical data

HxWxD [mm/in]	1942x780x1160/76x31x46
Weight [kg/lb]	170/375
Collection container [l/gal]	40/10.5
Flow max, fan, EU [m³/h]	470
Negative pressure, max, EU [kPa]	28
Power [kW]	4
Sound level [dB(A)]	75

# Guide to the right EX-machine



## Capacity air flow EX-Line



- 1 DC 1800/2800 H EX 50 Hz
- 2 DC 1800/2800 H EX 60 Hz
- 3 DC Tromb Turbo EX
- 4 DC 5800 Turbo EX

TECHNICAL DATA	DC 1800 H EX	DC 2800 H EX	DC Tromb Turbo EX	DC 5800 Turbo EX
HxWxD [mm/in]	830x402x382/33x16x15	1110x440x550/43x17x22	1390x600x840/55x24x33	11942x780x1160/76x31x46
Weight [kg/lb]	16.5/36.4	24.5/54	70/154	ca 170/375
Inlet [mm/in]	X 50/2	X 50/2	X 50/2	X 76/3
Hose length, Ø50 mm [m/in]	5/197 (Ø38)	5/197 (Ø38)	5–20/197–784	5–30/197–1181
Collection container [l/gal]	20/5.3	40/10.5	40/10.5	40/10.5
Flow max, fan, EU [m³/h]	200	200	260	470
Flow max, fan, US/CAN [cfm]	117.7	117.7	153	276
Flow max, fan, EU [m³/h]	27	27	28	28
Flow max, fan, US/CAN [cfm]	100	100	112	112
Power 115/230V [W]	1500/1300	1500/1300	2200	4000
Filter area, fine filter [m²/ft²]	1.5 /16	1.5/16	2.5/27	8.4/90
<b>Degree of separation fine filter</b>				
EN 60335-2-69, Class M [%]	99	99	99	99
Filter area microfilter [m²/ft²]	0.85/9	0.85/9	2.2/23.6	2.7/29
<b>Degree of separation</b>				
Microfilter EN 1822-1	HEPA H13	HEPA H13	HEPA H13	HEPA H13
EN 60335-2-69, Class H [%]	99.995	99.995	99.995	99.995
Sound level [dB(A)]	70	70	72	75
Zone	22	22	22	22



## Compressed Air Driven Dust Extractors

# DC 1800 TR EX

The DC 1800/2800 TR EX removes dust in three stages. The first separation occurs in the unit's cyclone, which is a very efficient separation of all the coarser dust. The finer dust is separated in the unit's filter cartridges, and then the HEPA filter takes care of the rest of the dust. Filter cleaning with pulse provides long filter life and constant capacity. Vacuum is created in the ejector. The ejector is maintenance free.

**Part No DC 1800 TR EX** 101890

### Supplied with (Part No)

Fine filter, polyester, antistatic (42028-01)  
Plastic bags (42384)  
HEPA H13 filter (42027)



### Technical data

HxWxD [mm/in]	320x150x150/ 82.5x38x38
Weight [kg/lb]	10/22
Inlet [mm/in]	Ø50/2
Hose l max rec'd (Ø 2"/50 mm)	15' /5 m
Collection container [l/gal]	20/5.3
Flow max [m³/h/cfm]	102/170
CA consumption at 90psi /7 bar	5.3 gal/s /20 l/s
Air Connection	½" ball valve
Negative pressure, max [kPa/inwg]	16/64
Fine Filter area [ft²/m²]	16/1.5
<b>Filtration efficiency</b>	102/170
- EN 60335-2-69, Class M [%]	99
HEPA Filter area [ft² /m²]	9.1/0.85
<b>HEPA Filter efficiency</b>	
- EN 60335-2-69, Class H [%]	99.995
- EN 1822-1	HEPA H13
Sound level [dB(A)]	68

# DC 2800 TR EX

Description see DC 1800 TR EX above.

**Part No DC 2800 TR EX** 121090

### Supplied with (Part No)

Fine filter, polyester, antistatic (42028-01)  
Plastic bags, 5 pcs (42285)  
HEPA H13 filter (42027)



### Technical data

HxWxD [mm/in]	470x170x220/ 119.5x44x55
Weight [kg/lb]	19/42
Inlet [mm/in]	Ø50/2
Hose l max rec'd (Ø2" /50 m)	15' /5 m
Collection container [l/gal]	40/10.5
Flow max [m³/h/cfm]	170/102
CA consumption at 90psi/7bar	5.3 gal/s /20 l/s
Air Connection	½" ball valve
Negative pressure, max [kPa/inwg]	16 /64
Fine Filter area [m²/ft²]	16 /1.5
<b>Filtration efficiency</b>	
- EN 60335-2-69, Class M [%]	99
HEPA Filter area [m²/ft²]	9.1/0.85
<b>HEPA Filter efficiency</b>	
- EN 60335-2-69, Class H [%]	99.995
- EN 1822-1	HEPA H13
Sound level [dB(A)]	68

## Compressed Air Driven Dust Extractors

# DC 3800 TR EX

The DC 3800 TR EX is a compressed air driven extractor for use in areas where electrical power is not available or practical. The DC 3800 TR EX is a machine with large suction capacity and robust construction while still being compact and easy to manoeuvre. It is ideal for source extraction on most types of hand-held tools and for industrial cleaning (38 mm and 50 mm system).

**Part No DC 3800 TR EX** 117100

### Supplied with (Part No)

Plastic bag, standard antistatic, ESD (42384)  
Fine filter, antistatic (4202501)  
HEPA H13 filter (42024)



### Technical data

HxWxD [mm/in]	550x240x360/ 139x60x92
Weight [kg/lb]	38/84
Inlet, (nom)	Ø 2"/50 mm
Hose l max rec'd (Ø2" /50 mm)	15'-50'/5-15m
Collection container [l/gal]	40/10.5
Flow max [ft <sup>3</sup> / m <sup>3</sup> /h]	14126/400
CA consumption at 90psi/6 bar	63.5 cfm/20 l/s
Air Connection	1" ball valve
Negative pressure, max [kPa/	20/80
Fine Filter area [ft <sup>2</sup> /m <sup>2</sup> ]	19.3/1.8
<b>Filtration efficiency</b>	
- EN 60335-2-69, Class M	99 %
HEPA Filter area [ft <sup>2</sup> /m <sup>2</sup> ]	16/1.5
<b>HEPA Filter efficiency</b>	
- EN 60335-2-69, Class H	99.995 %
- EN 1822-1	HEPA H13
Sound level [dB(A)]	75

# DC 5900 TR

The DC 5900 TR is a machine driven by compressed air for use in areas where electricity is not available or not permitted. The DC 5900 TR has a very robust design and extra high extraction power, which makes it ideal for source extraction on bigger machinery and in mines. It is also ideal for source extraction from most types of hand-held power tools.

**Part No DC 5900 TR** 119390

### Supplied with (Part No)

Plastic bags, 5 pcs (46145)  
Fine filter, polyester (429204)  
HEPA H13 filter (42869)



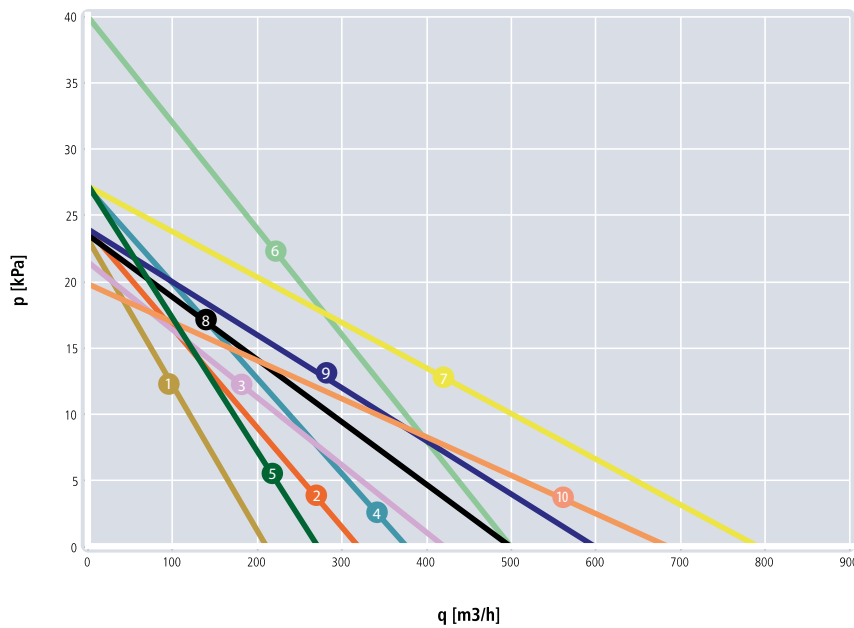
### Technical data

HxWxD [mm/in]	710x300x400/ 180x76x100
Weight [kg/lb]	150/330
Inlet [mm/in]	Ø76/3
Hose l max rec'd	15'-50'/5-10m
Collection container [l/gal]	60/15.5
Flow max [m <sup>3</sup> /h / cfm]	500/300
CA consumption at 90psi /6bar	90 cfm/3.6m <sup>3</sup> /m
Air Connection	1" ball valve
Negative pressure, max [kPa/	21/84
Fine Filter area [ft <sup>2</sup> /m <sup>2</sup> ]	53.8/5
<b>Filtration efficiency</b>	
EN 60335-2-69, Class M	99 %
HEPA Filter area [m <sup>2</sup> /ft <sup>2</sup> ]	16/1.5
<b>HEPA Filter efficiency</b>	
- EN 60335-2-69, Class H [%]	99.995
- EN 1822-1	HEPA H13
Sound level [dB(A)]	75

# Guide to the right machine

Pressure generation and air flow of our mobile dust extractors

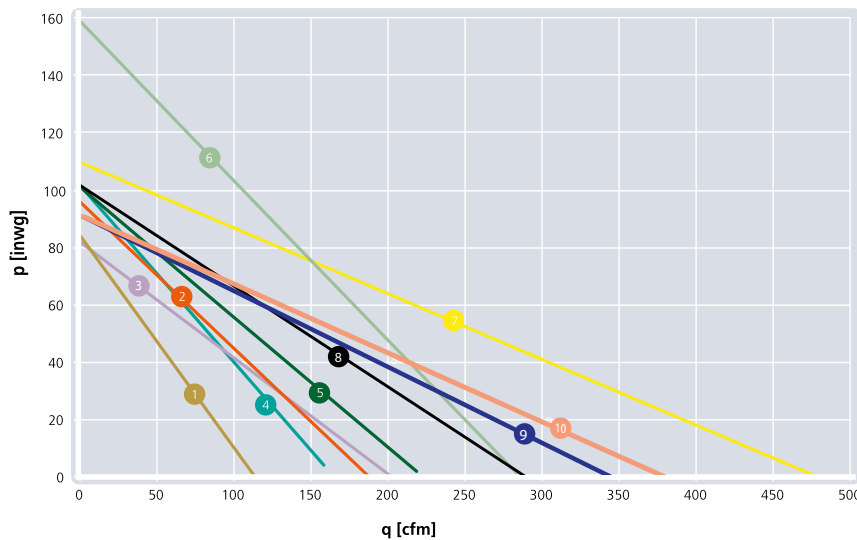
kPa vs m<sup>3</sup>/h



kPa vs m<sup>3</sup>/h

- 1 DC 1800 H, DC 1800 XL, DC 2900
- 2 DC 3800 Wood Shavings Extractor
- 3 DC Tromb H 400
- 4 DC Tromb Turbo – Direct Start
- 5 DC Tromb Turbo – Frequency Converter
- 6 DC 5900 9.2kW S
- 7 DC 5900 9.2kW P
- 8 DC Storm 500
- 9 DC Storm 600
- 10 DC Storm 700


cfm vs inwg



cfm vs inwg

- 1 DC 1800 H, DC 1800 XL, DC 2900
- 2 DC 3800 Wood Shavings Extractor
- 3 DC Tromb H 400
- 4 DC Tromb Turbo – Direct Start
- 5 DC Tromb Turbo – Frequency Converter
- 6 DC 5900 9.2 kW S
- 7 DC 5900 9.2 kW P
- 8 DC Storm 500
- 9 DC Storm 600
- 10 DC Storm 700





"All Dustcontrol machines are able to vacuum small amounts of liquid, but for those of you who deal with larger quantities of water, we have developed a range of professional wet-vacs that can handle the toughest environments."

## Wet-Vacs

# DC 50W

### Supplied with (Part No)

Coupling socket (2108)  
Connecting sleeve (2114)  
Suction hose Ø38 mm /1.5", 5 m /16ft, antistatic (2012)  
Floor nozzle B370mm /W14"(7236)  
Suction pipe Ø38, aluminium (7258)  
Filter bag (42190)

### Part No DC 50 W

118600 230V /50Hz, EU

1-phase **eco**



When drilling in concrete, large quantities of water are required, which becomes very dirty. Using a wet-vac to effectively extract the water prevents both the workplace from becoming wet and dirty, and the sewerage system from silting up. The slurry solids are collected in a filter bag for easy handling and disposal.

Dustcontrol's wet-vacs are easy to disassemble for cleaning and decontamination. This is an important benefit on units that require frequent cleaning. Robust construction helps these units resist the knocks from everyday use.

### Technical data

HxWxD [mm/in]	870x630x543/ 34x25x21
Weight [kg/lb]	34/75
Collection Container [l/gal]	50/13
Hose length Ø38 mm /1.5" [m/ft]	5/13.2
Flow max, open inlet EU [m³/h]	190
Negative pressure, max, EU [kPa]	21
Power [W]	
Vacuum motor, single-phase 230V	1285
Pump, single-phase [W]	550
Sound level [dB(A)]	75

# DC 75W

### Supplied with (Part No)

Coupling socket (2108)  
Connecting sleeve (2115)  
Suction hose Ø38 mm/1.5", 5 m /16ft, antistatic (2012)  
Floor nozzle B370mm /W14"(7236)  
Suction pipe Ø38, aluminium (7258)  
Filter bag (42190)

### Part No DC 75W

118700 230V /50Hz, EU

1-phase **eco**



### Technical data

HxWxD [mm/in]	980x630x550/ 38x25x21
Weight [kg/lb]	37/81
Collection Container [l/gal]	75/19.8
Hose length Ø38 mm /1.5" [m/ft]	5/16
Flow max, open inlet EU [m³/h]	190
Negative pressure, max, EU [kPa]	21
Power [W]	
Vacuum motor, single-phase 230V	1285
Pump, single-phase [W]	550
Sound level [dB(A)]	75



## Air Cleaner

# DC AirCube 500

DC AirCube 500 has been developed for ease of use and durability. The fan unit is a radial blower which is especially designed to build up high pressure across its entire flow range. This means that the unit generates a large amount of air flow during the entire lifetime of the filter. An exhaust hose can be used to create negative pressure in a sealed room. The fan has two speed settings, which means that the unit can be run economically, for example during the night.

### Supplied with (Part No)

HEPA H13 filter (42692)  
Pre-filter (42690)

### Part No DC AirCube 500

112500 230V /50Hz, EU  
112501 230V /50Hz, UK  
112503 115V /50Hz, UK  
112508 230V /50Hz, CH  
112505 115V /60Hz, US/CAN  
112509 230V /50Hz, AU

### Accessories (Part No)

Hose 125 (2420)  
Funnel connection (42753)  
Hose clamp (4138)  
Roof bracket (42724)

1-phase 

## Technical data

HxWxD [mm/in]	380x340x495/ 15x13.4x19.5
Weight [kg/lb]	13/28.7
Inlet Ø [mm/in]	380x340/15x13.4
Outlet Ø [mm/in]	125/5
Power, fan 115/230 [W]	195/210
Flow max, open inlet 115V [m³/h/cfm]	470/276
Flow max, open inlet 230V [m³/h/cfm]	500/294
Pre-filter area [m²/ft²]	0.18/1.9
HEPA filter area [m²/ft²]	4.56/49
Filter class	H13
Sound level [dB(A)]	45-65



### Accessories (Part No)

#### FILTERS FOR DC AIRCUBES

Go to page 185

#### HOSES & BENDS



Hose (42657)

Bend 90° (42660)

#### TRANSPORT COVERS

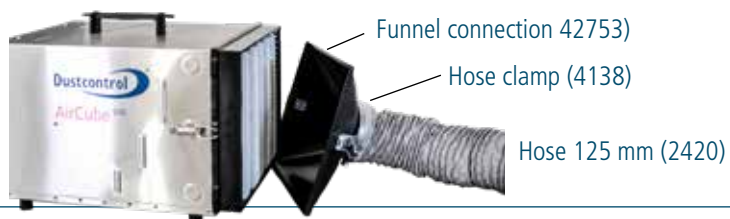


Ø125  
AirCube 500 (45168)

Ø250  
AirCube 1200 (45169)

Ø315  
AirCube 2000 (45170)

#### HOSES, FUNNEL CONNECTION & HOSE CLAMPS



Funnel connection 42753

Hose clamp (4138)

Hose 125 mm (2420)



## Air Cleaner

# DC AirCube 1200

The DC AirCube 1200 is a highly efficient and robust air cleaner with the ability to clean the air even in large rooms, at a rate of up to 1060 m<sup>3</sup>/h /624 cfm. The encapsulated fan housing contains a radial blower type fan that builds up high pressure across its entire flow range, which provides effective air cleaning for the entire lifetime of the filter. The speed of the fan is also continuously variable in order to save energy. The DC AirCube 1200 is equipped with both a HEPA H13 filter that captures the smallest particles and a light that indicates when it is time to replace the filter.

### Part No DC AirCube 1200

111000	230V /50Hz, EU
111001	230V /50Hz, UK
111002	115V /50Hz, UK
111008	230V /50Hz, CH
111003	115V /60Hz, US/CAN
111009	230V /50Hz, AU



### Supplied with (Part No)

HEPA H13 filter (42940)  
Pre-filter (42918)

### Accessories (Part No)

Hose kit (42657)  
Bend 90° (42660)

### Technical data

HxWxD [mm/in]	869x458x598/ 35x18x23.5
Weight [kg/lb]	23/51
Inlet/Outlet Ø [mm/in]	250/315 9.8/12.4
Power, fan 115/230 [W]	375/385
Flow max, open inlet 230V [m <sup>3</sup> /h/cfm]	1060/624
Pre-filter area [m <sup>2</sup> /ft <sup>2</sup> ]	0.40/4.3
HEPA filter area [m <sup>2</sup> /ft <sup>2</sup> ]	5/54
Filter class	H13
Sound level [dB(A)]	60-68

# DC AirCube 2000

With a capacity of approximately 1.850 m<sup>3</sup>/h /1089 cfm the DC AirCube 2000 is the Dustcontrol's most powerful cleaner. The DC AirCube 2000 has a robust, stainless-steel chassis and an encapsulated fan with variable speed setting. With its ergonomic design, it is easy to carry and transport. It can also be operated when positioned horizontally.

The DC AirCube 2000 has a HEPA H13 filter with an area totalling 10 m<sup>2</sup> /107 ft<sup>2</sup>. An integrated light indicates when it is time to replace the filter.

### Part No DC AirCube 2000

102000	230V /50 Hz, EU
102002	230V /50 Hz, UK
102003	115V /50 Hz, UK
102008	230V /50 Hz, CH
102004	115V /60 Hz, US/CAN
102009	230V /50Hz, AU



### Supplied with (Part No)

HEPA H13 filter (42896)  
Pre-filter (42917)

### Accessories (Part No)

Hose kit (42657)  
Bend 90° (42660)

### Technical data

HxWxD [mm/in]	1019x512x547 /40x20x21.5
Weight [kg/lb]	30/66
Inlet/Outlet Ø [mm/in]	315/315 12.4/12.4
Power, fan 115/230 [W]	375/750
Flow max, open inlet 230V [m <sup>3</sup> /h/cfm] max	1850/1089
Pre-filter area [m <sup>2</sup> /ft <sup>2</sup> ]	0.5/5.4
HEPA filter area [m <sup>2</sup> /ft <sup>2</sup> ]	10/107
Filter class	H13
Sound level [dB(A)]	60-68





Healthy Business

Dustcontrol

# Accessories and Consumables

To achieve optimal performance from your vacuum system or mobile dust extractor all elements of the solution have to be in balance. The accessories are at least as important as the vac producer to provide best results.

# About Suction Hoses

Hoses need to have different characteristics depending on their intended use. Dustcontrol supplies hoses for different applications:

- Wear-resistant, lightweight and flexible
- Durable for extremes of temperature
- Antistatic
- FDA approved

When using long suction hoses that are coupled together, the hose closest to the suction casing should be the one with the smallest diameter and it should be no longer than 9.8 ft /3 m. Coupling should be carried out using external couplings.

## Antistatic accessories – ESD certification

ESD-accessories are certified according to Research Institute of Sweden (RISE).

## Our selection of Suction Hoses

PRODUCT	Part No	Dimension Ø [mm/in]	Standard length [m/ft]	Colour	Material	Temp °F /°C max/min	Anti-static/ESD	Abrasion resistance	UV and ozone resistance	Resistance to welding fumes	Resistance to solvent and oil	FDA
Suction hoses, standard	2001	76/3	10,15 /32,49	Blue	PE	140/-22/+60/-30	No	2	2	3	3	
	2401	50/2	5,10,15,20,25,30/16,32,49,65,82,98	Blue	PE	140/-22/+60/-30	No	2	2	3	3	
	2111	38/1.5	5,10,15,20,25,30/16,32,49,65,82,98	Blue	PE	140/-22/+60/-30	No	2	2	3	3	
	2112	32/1.25	5,10,15,20,25,30/16,32,49,65,82,98	Blue	PE	140/-22/+60/-30	No	2	2	3	3	
	2113	25/1	5,10,15,20,25,30/16,32,49,65,82,98	Blue	PE	140/-22/+60/-30	No	2	2	3	3	
Suction hoses, heat-resistant	2004	50/2	5,10,15 /16,32,49	Grey	PP(EPDM)	194/-40/+90/-40	No	3	2	1	4	
	2003	38/1.5	5,10,15 /16,32,49	Grey	PP(EPDM)	194/-40/+90/-40	No	3	2	1	4	
Suction hoses, antistatic	2024*	76/3	5,10,15 /16,32,49	Black	PE	140/-4/+60/-20	Yes	2	2	3	3	
	2013*	50/2	5,10,15,20 /16,32,49,65	Black	PE	140/-4/+60/-20	Yes	2	2	3	3	
	2012*	38/1.5	5,10,15,20 /16,32,49,65	Black	PE	140/-4/+60/-20	Yes	2	2	3	3	
	2005*	32/1.25	5,10,15,20 /16,32,49,65	Black	PE	140/-4/+60/-20	Yes	2	2	3	3	
	2025*	25/1	5,10,15,20 /16,32,49,65	Black	PE	140/-4/+60/-20	Yes	2	2	3	3	
	2027*	38/1.5	5,10,15,20 /16,32,49,65	Black	PE	140/-4/+60/-20	Yes	2	2	3	3	
	2028*	50/2	5,10,15,20 /16,32,49,65	Black	PE	140/-4/+60/-20	Yes	2	2	3	3	
Suction hoses, PU extra abrasion-resistant	2056	76/3	10/32	Transparent	PU	194/-40/+90/-40	Yes**	1	1	3	1	
	2054	50/2	10/32		PU	194/-40/+90/-40	Yes**	1	1	3	1	
	2055	38/1.5	10/32		PU	194/-40/+90/-40	Yes**	1	1	3	1	
Super D superelastic	2038	38/1.5	15/49	Black/white	PVC	185/-23/+85/-5	No	2	2	2	4	
	2039	50/2	15/49	Black/white	PVC	185/-23/+85/-5	No	2	2	2	4	
Suction hose	44140	38/1.5	10/32	Transparent	PU	-40 to +90		2	2	2	2	x
Suction hose	44141	50/2	10/32	Transparent	PU	-40 to +90		2	2	2	2	x
Suction hose	44142	76/3	10/32	Transparent	PU	-40 to +90		2	2	2	2	x

### Resistance Scale

- 1 Excellent
- 2 Good
- 3 Limited
- 4 Poor



\* To order an antistatic (ESD) version, add the letter E to the end of the Part No.

\*\* The wire helix must be bared and left in contact with conductive material for static discharge.



# Suction Hoses

## Accessories and Consumables

### Metal Hose

Part No	Diameter Ø [mm/in]	Type	Temp °F max / Temp °C max	Material
2178	2/50	Flexible	1112/600	SS EN 1.4301
2151	2/50	Rigid	572/+300	Steel
2138	1.5/38	Flexible	572/+300	Steel
2139	1.5/38	Rigid	1112/600	SS 321

### Ventilation Hose

Part No	Description [mm/in]	Diameter Ø [mm/in]
2420	Ventilation hose 5/125	5/125
2139	Rigid, SS 321	1.5/38

### Compressed Air Hose

Part No	Description [mm/in]	Diameter Ø [mm/in]
2122	Compressed air hose 3/8	Ø <sub>in</sub> 10/ 3/8"
2123	Compressed air hose 1/2	Ø <sub>in</sub> 12.5/ 1/2"
2124	Compressed air hose 3/4	Ø <sub>in</sub> 19/ 3/4"
2406	Compressed air hose 5	Ø <sub>out</sub> 5 mm
8482	Compressed air hose 6	Ø <sub>out</sub> 6 mm
8183	Compressed air hose 8	Ø <sub>out</sub> 8 mm

### Hose Clamp

Part No	Description	Diameter Ø max [mm/in]
4027	Hose clamp	8–14 /0.3–0.6
4028	Hose clamp	11–17 /0.4–0.7
4146	Hose clamp	15–24 /0.6–0.9
4197	Hose clamp	26–38 /1–1.5
4075	Hose clamp	44–56 /1.7–2.2
4219	Hose clamp	50–65 /2–2.6
4002	Hose clamp	58–75 /2.3–3
3002	Hose clamp	68–85 /2.7–3.3
4090	Hose clamp	77–95 /3–3.7
4310	Hose clamp	87–112 /3.4–4.4
4138	Hose clamp	104–138 /4.1–5.4
4040	Hose clamp	130–165 /5.1–6.5
4137	Hose clamp	150–180 /5.9–7.1
4464	Hose clamp	200–231 /7.9–9.1
4102	Hose clamp	226–256 /8.9–10.1

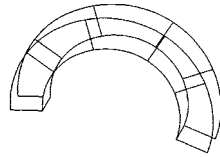
# Suction Hoses

## Rubber Suction hose

Technical data	2011	2046	2045
Material gauge [mm/in]	8.5/0.33	8/0.31	9.5/0.37
Min radius [mm/in]	300/11.81	210/8.27	480/18.9
Weight [kg/m /lb/yd]	4.15/9.15	2.97/6.55	7.37/15.54
Temp max [°F/°C]	120/+48.8	120/+48.8	140/+60
min [°F/°C]	-40/-4.4	-13/-10.5	-40/-4.4
Internal tube	SBR/EPDM	PVC	SBR/EPDM
Insert	Steel helix	Steel helix/Polyester	Steel helix copper wire
External tube	SBR Rubber	PVC	SBR Rubber

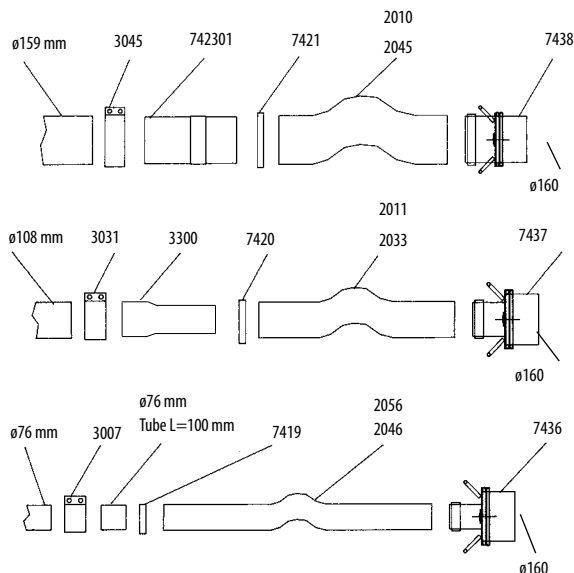
Part No Standard	Part No Extra abrasion resistant	Description Ø [mm/in]
2045	-	152/6
2011	-	102/4
See PU-suction hose	2046	76/3

## Hose hanger



Part No	Description
4473	Hose hanger, white enamel
7214	Hose hanger, stainless

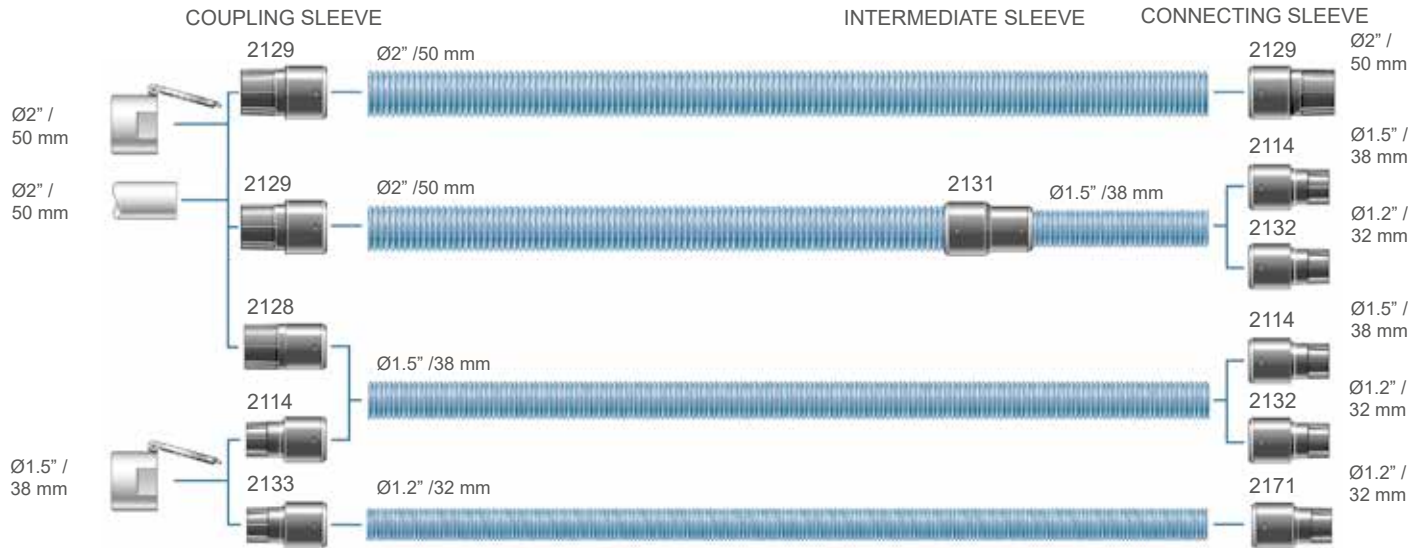
## Couplings for rubber suction hose/extra abrasion resistant



Part No	Description Ø [mm/in]
3007	Joint 76/3
3031	Joint 108/4.3
3045	Joint 160/6.3
3300	Cone 108/102 / 4.3/4
7419	Hose clamp 76/3
7420	Hose clamp 102/4
7421	Hose clamp 160/6.3
742301	Pipe connection 159/152 / 3/6
7436	Hose connector 76/X160 / 3X6.3
7437	Hose connector 102/X160 / 4/X6.3
7438	Hose connector 152/X160 / 6/X6.3

# Suction Hoses

## Turnable Hose Connectors

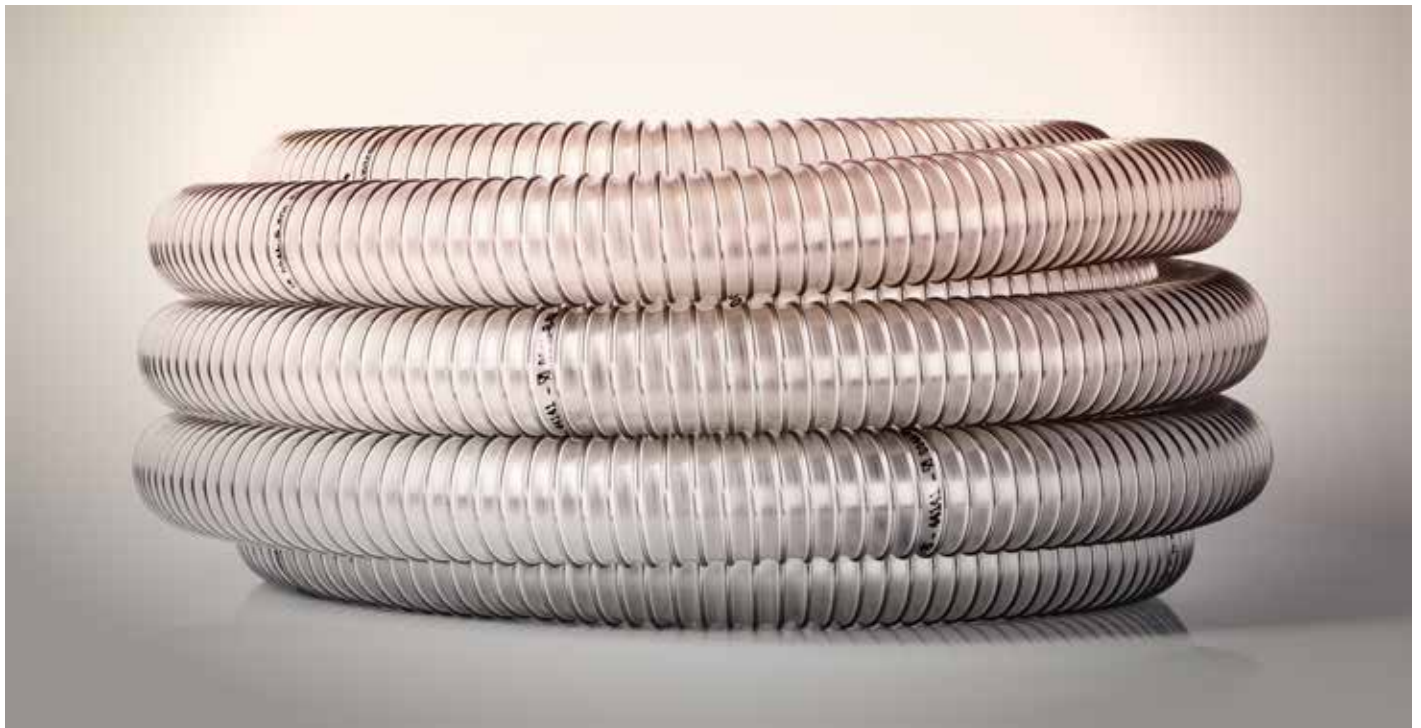


Part No	Description
2114*	Connecting sleeve, turnable $\text{Ø}1.5''/1.5'' / 38/38$
2128*	Coupling sleeve, turnable $\text{Ø}2''/1.5'' / 50/38$
2129*	Coupling sleeve, turnable $\text{Ø}2''/2'' / 50/50$

Part No	Description
2131*	Intermediate sleeve, turnable $\text{Ø}2''/1.5'' / 50/38$
2132*	Connecting sleeve, turnable $\text{Ø}1.2''/1.5'' / 32/38$
2133*	Coupling sleeve, turnable $\text{Ø}1.5''/1.2'' / 38/32$
2171*	Coupling sleeve, turnable $\text{Ø}1.2''/1.2'' / 32/32$



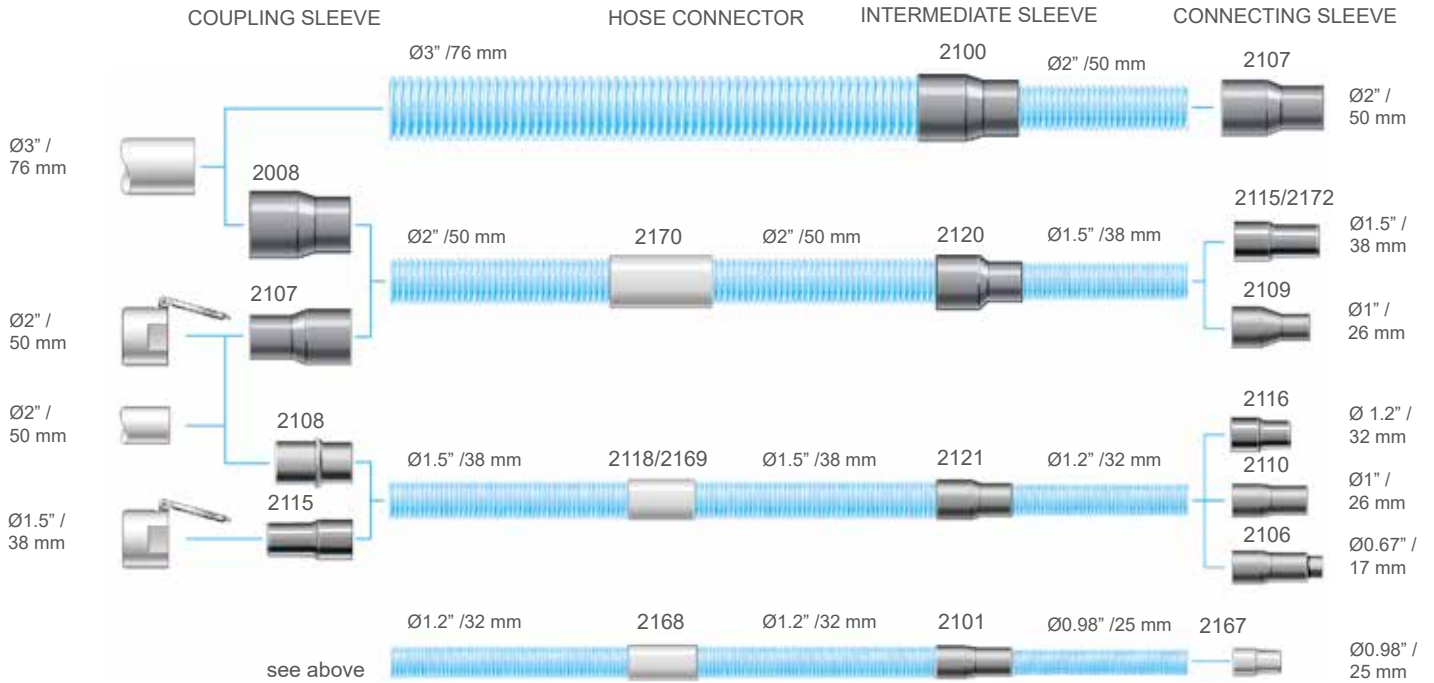
\*To order an antistatic (ESD) version, add E to the end of Part No.





# Suction Hoses

## Non-Turnable Hose Connectors



Part No	Description
2008*	Coupling sleeve Ø3"/2" /76/50
2100*	Intermediate sleeve Ø3"/2" /76/50
2101*	Intermediate sleeve Ø1.2"/0.98" /32/25
2106*	Connecting sleeve Ø0.67"/1.2" /17/32
2107*	Coupling sleeve Ø2"/2" /50/50
2108*	Coupling sleeve Ø2"/1.5" /50/38
2109*	Connecting sleeve Ø1"/1.5" /26/38

Part No	Description
2115	Connecting sleeve Ø1.2"/1.2" /38/38
2116	Connecting sleeve Ø1.2"/1.2" /32/32
2118	Connecting sleeve Ø1.2"/1.2" /32/32
2120*	Intermediate sleeve Ø2"/1.5" /50/38
2121*	Intermediate sleeve Ø1.5"/1.2" /38/32
2156*	Coupling Nipple 75/72.5. 2156 is used to connect the 76 mm hose to flap valve, 76/76 art. 3237

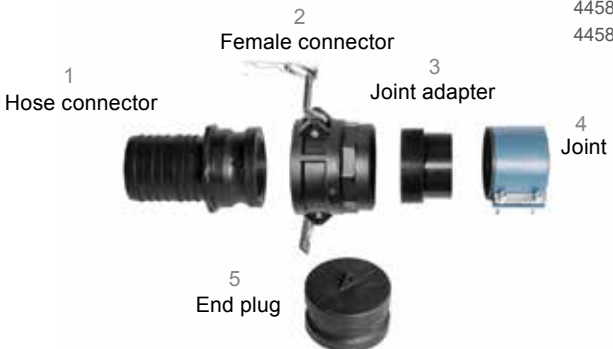
Part No	Description
2167*	Connecting sleeve Ø0.98"/0.98" /25/25
2168*	Hose connector Ø1.2" /32
2169*	Hose connector Ø1.5" /38
2170*	Hose connector Ø2" /50



\*To order an antistatic (ESD) version, add E to the end of Part No.

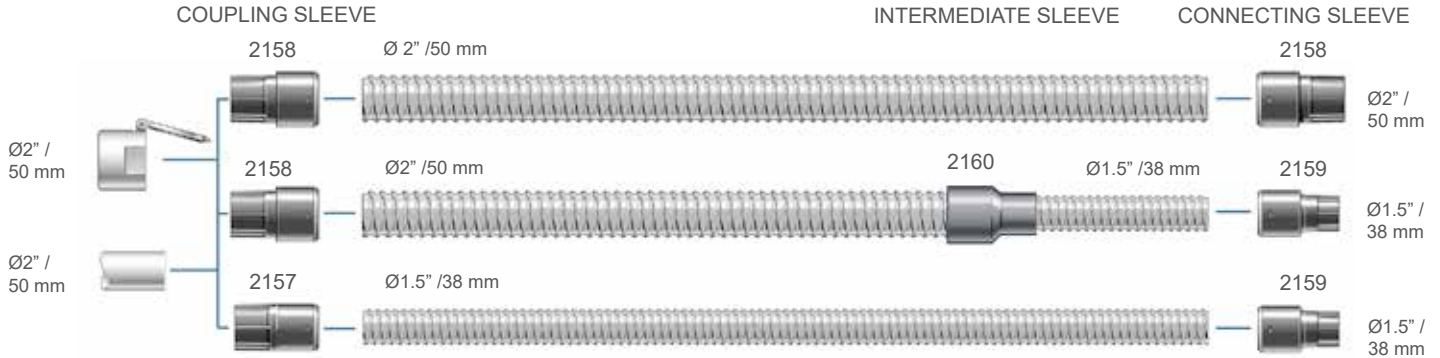
## Camlock Retrofit Kit

Part No	Description
44585	CAMLOCK KIT 3" PP
44585-1	CAMLOCK KIT 3" AL
44585-2	CAMLOCK KIT 2" PP
44585-3	CAMLOCK KIT 2" AL
44585-4	CAMLOCK KIT 4" PP
44585-5	CAM LOCK KIT 4" AL

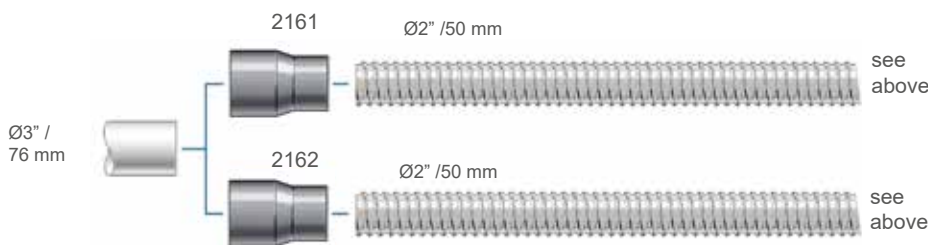


# Suction Hoses

## Turnable Connectors for PU section hoses



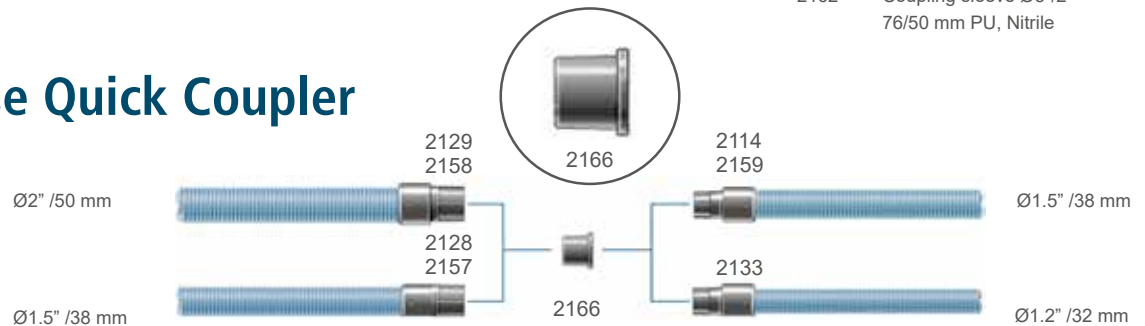
## Non-Turnable Connectors for PU Suction Hoses



Part No	Description
2157*	Coupling sleeve Ø2"/1.5" 50/38 PU, turnable
2158*	Coupling sleeve Ø2"/2" 50/50 PU, turnable
2159*	Connecting sleeve Ø1.5"/1.5" 38/38 PU, turnable

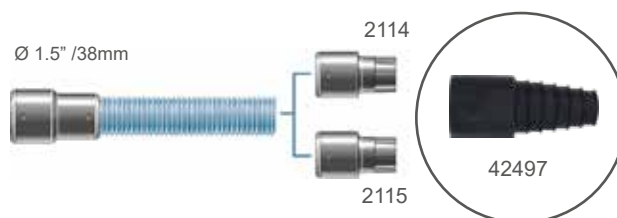
Part No	Description
2160*	Intermediate sleeve Ø2"/1.5" 50/38mm PU, turnable
2161*	Coupling sleeve Ø3"/2" 76/50 mm PU, EPDM
2162*	Coupling sleeve Ø3"/2" 76/50 mm PU, Nitrile

## Suction Hose Quick Coupler



## Multi-Connection for Hand-held Power Tools with Integrated Suction Casings

The multi-connection fits onto suction casings with an outlet diameter of 0.98-1.37 inch /25-35 mm. Cut off a section at the required diameter (it is pre-marked with: 25, 27, 29, 31, 33, 35 mm) and slip the multi-connection over the tubing. Connection sleeves 2114 or 2115 then fit onto the other end to connect the hose.



Part No	Description
42497*	Multi-connection for hand-held power tools with integrated suction casings
2114*	Coupling socket Ø1.5/1.5" 38/38 mm, turnable
2115*	Coupling socket Ø1.5/1.5" 38/38 mm

# Accessories and Consumables

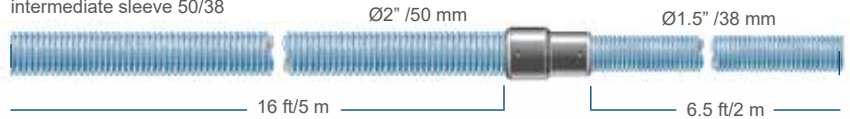
## Hoses Sets

### Part No

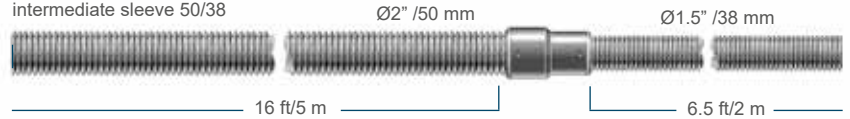
2125	Hose set Ø50/38 L = 7 m Ø2"/1.5" L = 23 ft
2126	Hose set Ø 50/38 L = 7 m Ø2"/1.5" L = 23 ft antistatic
2006	Hose set Ø 38 L = 2 m Ø1.5" L = 6.5 ft
2015	Hose set Ø38/1.5" L = 2 m/6,5ft
2105	Hose set Ø38/1.5" L = 5 m/16ft**

\*\* Standard suction hose, turnable, non removable connector. (Replacement to standard hose kit)

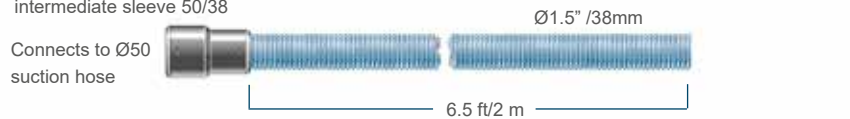
Standard suction hose, turnable  
intermediate sleeve 50/38



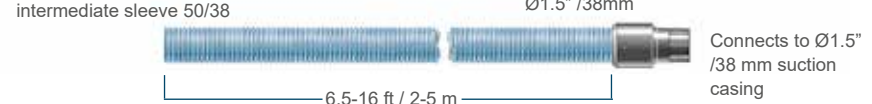
Antistatic suction hose, turnable  
intermediate sleeve 50/38



Standard suction hose, turnable  
intermediate sleeve 50/38



Standard suction hose, turnable  
intermediate sleeve 50/38



## Characteristics of Materials

DESCRIPTION	Dimension Ø [mm/in]	Part No	Colour	Material	Temp °F max/min/ Temp °C max/min	Antistatic	Abrasion resistance	UV and zone resistance	Resistance to welding fume	Resistance to solvent and oil
Coupling socket	76/50 /3/2	2008*	Black	EPDM	284/-76/140/-60	Yes	2	1	2	4
	50/50 /2/2	2107*	Black	EPDM	284/-76/140/-60	Yes	2	1	2	4
	50/38 /2/1.5	2108*	Black	EPDM	284/-76/140/-60	Yes	2	1	2	4
	76/50 /3/2 (PU)**	2161*	Black	EPDM	284/-76/140/-60	Yes	2	1	2	4
Coupling socket	76/50 /3/2	2162*	Blue	NBR	248/-76/120/-60	Yes	2	3	3	2
Coupling sleeve	50/50 /2/2	2129*	Black	PA12	284/-4/140/-20	Yes	1	2	3	1
	50/50 /2/2 (PU)**	2158*	Black	PA12	284/-4/140/-20	Yes	1	2	3	1
	50/38 /2/1.5 (PU)**	2157*	Black	PA12	284/-4/140/-20	Yes	1	2	3	1
	50/38 /2/1.5	2128*	Black	PA12	284/-4/140/-20	Yes	1	2	3	1
	38/32 /1.5/1.25	2133*	Black	PA12	284/-4/140/-20	Yes	1	2	3	1
	32/32 /1.25/1.25	2171*	Black	PA12	284/-4/140/-20	Yes	1	2	3	1
Connecting sleeve	32/38 /1.25/1.5	2132*	Black	PA12	284/-4/140/-20	Yes	1	2	3	1
	38/38 /1.5/1.5 (PU)**	2159*	Black	PA12	284/-4/140/-20	Yes	1	2	3	1
	38/38 /1.5/1.5	2114*	Black	PA12	284/-4/140/-20	Yes	1	2	3	1
	50/50 /2/2	2129*	Black	PA12	284/-4/140/-20	Yes	1	2	3	1
	25/25 /1/1	2167*	Black	TPE	284/-4/140/-20	Yes	1	2	3	1
Connecting sleeve	38/38 /1.5/1.5	2115*	Black	TPE	284/-4/140/-20	Yes	1	2	3	1
	26/38 /1/1.5	2109*	Black	EPDM	284/-76/140/-60	Yes	2	1	2	4
	26/32 /1/1.25	2110*	Black	EPDM	284/-76/140/-60	Yes	2	1	2	4
Connecting sleeve	17/32 /0.7/1.25	2106*	Black	EPDM	284/-76/140/-60	Yes	2	1	2	4
	32/32 /1.25/1.25	2116	Grey	PE	45/-45	No	1	2	3	1
	25/25 /1/1	2117	Grey	PE	45/-45	No	1	2	3	1
Inter, sleeves	50/38 /2/1.5	2131*	Black	PA12	284/-4/140/-20	Yes	1	2	3	1
	50/38 /2/1.5 (PU)**	2160*	Black	PA12	284/-4/140/-20	Yes	1	2	3	1
	76/50 /3/2	2100*	Black	EPDM	284/-76/140/-60	Yes	2	1	2	4
	50/38 /2/1.5	2120*	Black	EPDM	284/-76/140/-60	Yes	2	1	2	4
Inter, sleeves	38/32 /1.5/1.25	2121*	Black	EPDM	284/-76/140/-60	Yes	2	1	2	4
	32/25 /1.25/1	2101*	Black	EPDM	284/-76/140/-60	Yes	2	1	2	4
	50/2	2403	Grey	PE	45/-45	No	2	2	3	3
	38/1.5	2118	Grey	PE	45/-45	No	2	2	3	3
Hose connector	32/1.25	2119	Grey	PE	45/-45	No	2	2	3	3
	50/2	2170*	Black	EPDM	284/-4/140/-20	Yes	1	2	3	1
	38/1.5	2169*	Black	EPDM	284/-4/140/-20	Yes	1	2	3	1
Hose connector	32/1.25	2168*	Black	EPDM	284/-4/140/-20	Yes	1	2	3	1

\* Antistatic is defined as having a conductivity of < 10<sup>6</sup> Ω  
To order an antistatic ESD version, add the letter E to the end of the part No.

\*\* The wire helix must be bared and left in contact with conductive material

### Resistance Scale

- 1 Excellent
- 2 Good
- 3 Limited
- 4 Poor



# The right equipment

For the best results when cleaning, it is necessary to have the right equipment and to use it in the correct way. It is therefore a prerequisite that a variety of different accessories are available for different tasks.

## Cleaning accessory Ø25 mm/0.98"

The In-line swivel attaches to dust collection casings with a 1" diameter inlet for hand tools. When used operators enjoy increased flexibility and decreased resistance. The in-line swivel is made of antistatic plastic.

**Part No** 2136 In-Line Swivel



## Cleaning accessories Ø32 mm /1.25"

Part No	Description
2048	Hose set L=24/8 m w hand pipe
7292	Suction brush 1.25"/32 mm
7293	Floor Tool 10.5/270 mm P-1.25"/32 mm
7294	Suction pipe 1.25"/32 mm L=970 mm, telescopic
7358	Suction brush 1.25"/32 mm
7399	Flat nozzle, 1.25"/32 mm
7464	Rectangle brush 1.25"/32 mm









## Accessories and Consumables

# Cleaning accessories Ø38 mm / 1.5"

## DC Reach – High Level Cleaning System

With our innovative cleaning technology DC Reach, it has never been easier to remove dust and combustible materials from high altitudes and hard-to-reach places. Traditionally, cleaning at height has involved hydraulic lifting aids, work platforms and at least two people to carry out the job safely. Now the task can be solved safely by one person.

The system consists of a pipe system with straight pipe parts and bends that are connected as desired. Along with this, there are several suction nozzles to meet the customer's unique needs.

In addition to the standard version of DC Reach, there is also DC Reach ATEX for customers who need equipment suitable for an ATEX environment. All these components are certified and meet the ATEX-directive 2014/34/EU: ISO 80079-36:2016, ISO 80079-37 and are NFPA certified.

### Part No DC Reach System

7600	DC Reach Standard
7620	DC Reach ATEX



### Standard Set

7614	6 x Pipes, Carbon fiber, L - 1.25m x Ø38mm
7602	Bend 135 degrees
7603	Bend 90 degrees
7604	Bend 45 degrees
7605	Adaptor for Nozzle
7606	Adaptor for Hose
7607	Nozzle, W200mm
7608	Nozzle, W380mm
7609	Floor Nozzle, W300mm
7611	Bag for Pipes
7613	Bag for Accessories
7615	Nozzle, round
7616	Nozzle, elonged, W200

### DC Reach Standard Set Prod No 7600



### ATEX Set

7621	6 x ATEX Pipes, Carbon fiber, L - 1.25m x Ø38mm
7622	ATEX Floor Nozzle, W200mm
7623	ATEX Flat Nozzle
7624	ATEX Nozzle, W200mm
7626	ATEX Adaptor for Hose
7627	ATEX Bend 135 degrees
7628	ATEX Bend 90 degrees
7629	ATEX Bend 45 degrees
7630	ATEX Nozzle, straight
7611	Bag for Pipes
7613	Bag for Accessories

### DC Reach ATEX Set Prod No 7620





# Cleaning accessories Ø38 mm / 1.5"



No	Part No	Description
1	7038	Suction nozzle
2	7047	Suction brush W 200 mm / 7.8"
3	7048	Pipe nozzle RB 100
4	7049	Pipe nozzle RB 200
5	7276*	Tapered nozzle
6	7365	Flat nozzle
7	7257	Suction pipe Ø38 mm / 1.5"
8	7258	Aluminium wand
9	7259	Aluminium wand, with wear strip
10	7260	Chrome steel extension wand, L = 715 mm / 28"
11	7261	Aluminium extension wand, L = 705 mm / 27"
12	7264*	Tapered nozzle
13	7213	Chrome steel flat nozzle, L = 400 mm / 15.7"
14	7035	Chrome steel hand pipe
15	7262	Chrome steel hand pipe, curved
16	7235*	Cast aluminium floor tool 370 mm / 14.5"
17	7236*	Cast aluminium floor tool 450 mm / 17.7"
18	7320/21	Moulded plastic floor tool 320 mm / 12.6", with rubber wipe/brush
19	7322/23	Moulded plastic floor tool 370 mm / 14.5", with rubber wipe/brush
20	7300	Rubber floor tool
21	7278*	Suction brush
22	7275	Rubber part of suction brush, 7278
23	7263	Brush for 7275, 7278
24	726301	ESD brush for 7278, 7279
25	7398	Brush for 7278, 7279, hard, white
26	7237*	Cast aluminium floor tool 370 mm / 14.5", with wipe/brush



\* To order an antistatic (ESD) version, add E to the end of Part No.

## Accessories and Consumables

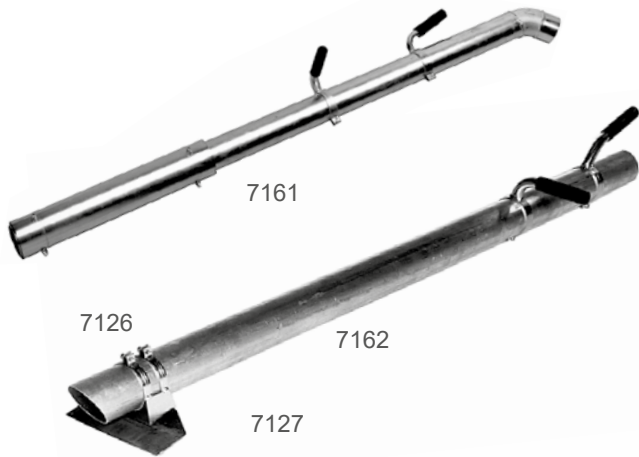
# Cleaning accessories Ø50 mm / 2"



No	Part No	Description
1	7266	Aluminium wand
2	7267	Aluminium wand, with wear strip
3	7265	Chrome suction pipe Ø50 mm/ 2"
4	7268	Chrome steel extension wand, 710 mm/28"
	7269	Aluminium extension wand, 710 mm/28"
5	7033	Chrome steel hand pipe
6	7271	Chrome steel hand pipe, curved
7	7285	ERGO Grip handle
8	7272*	Tapered nozzle
9	7277*	Tapered nozzle
10	7212	Flat nozzle, L = 400 mm /15.7"
11	7295	Bulk nozzle
12	7013	Rubber floor tool
13	7281*	Floor nozzle W 200 mm /7.8"
14	7238*	Cast aluminium floor tool, 500 mm/19.6"
15	7307	Gulper floor tool, aluminium
16	7149	Chip nozzle 50x70x243 / 1.9"x2.7"x9.6"
17	7030	Suction nozzle
18	7279*	Suction brush
19	7016*	Suction nozzle with brush
20	7274	Rubber part for suction brush
21	7263	Brush for 7274, 7279
22	726301*	ESD brush for 7278, 7279
23	7398	Brush for 7278, 7279, hard, white

## Accessories and Consumables

# Cleaning accessories $\varnothing 76$ mm / 3"



Part No	Description
7126	Clamp for scraper
7127	Scraper for suction lance
7129	Handle, complete
7161	Bulk nozzle
7162	Suction lance





## Accessories and Consumables

# Cleaning accessories Ø38, Ø50, Ø76 mm / 1.5", 2", 3"

## Pharma Industry Suction Brushes

Brush Holder of the Elongated and Round Suction Brushes in polypropylene. Ø38 mm / 1.5". Brush Filaments and Inserts in polyamide.

### Holders and Inserts Ø38/1.5" (Part No/Colour)

ELONGATED Brush Holder		ROUND Brush Holder		Ex			
Brush Holder	Brush Insert	Brush Holder	Brush Insert				
77001-01	●	77901	○	7471-01	●	44205	●
77001-02	●	77902	●	7471-02	●	44206	○
77001-03	●	7707 (soft)	○	7471-03	●	77005 (soft)	○
77001-04	●	7708 (soft)	●	7471-04	●	77006 (soft)	●
77001-05	○			7471-05	○		



## Turnable Hose Connectors

Turnable Hose Connectors in 5 colours, are made in polypropylene, Ø38/38 mm / 1.5"/1.5", Ø50/38 mm / 2"/1.5", Ø50/50 mm / 2"/2".

Ø38/38 mm	Ø50/38 mm	Ø50/50 mm			
22002-01	●	22001-01	●	22003-01	●
22002-02	●	22001-02	●	22003-02	●
22002-03	●	22001-03	●	22003-03	●
22002-04	●	22001-04	●	22003-04	●
22002-05	○	22001-05	○	22003-05	○



## Connectors

Connectors in premium-ether-polyurethane (Pre-PUR®), Ø38/Ø50/Ø76 mm / 1.5"/2"/3".

Part No/Colour	Ø [mm]	
44143	○	38/1.5
44144	○	50/2
44143	○	76/3








## Accessories and Consumables

# Cleaning accessories $\varnothing 38, \varnothing 50, \varnothing 76$ mm / 1.5", 2", 3"

## Flat Nozzles




Flat Nozzles in 5 colours, made in polypropylene,  $\varnothing 38$  mm / 1.5".

Part No/Colour	$\varnothing$ [mm/in]
7472-01 	38/1.5
7472-02 	38/1.5
7472-03 	38/1.5
7472-04 	38/1.5
7472-05 	38/1.5



## Hoses PU

Hoses PU in spring steel wire and permanently antistatic premium-ether-polyurethane (Pre-PUR<sup>®</sup>),  $\varnothing 38/\varnothing 50/\varnothing 76$  mm / 1.5"/2"/3".

Part No/Colour	$\varnothing$ [mm/in]
44140 	38/1.5
44141 	50/2
44142 	76/3



## Hand Pipes

Hand Pipes in stainless steel,  $\varnothing 38/50$ mm / 1.5"/2".

Part No	Length [mm/in]	$\varnothing$ [mm/in]	Description
44259	110/4.3	38/1.5	Straight
703502	220/8.6	38/1.5	Straight
7262-02	250/9.8	38/1.5	Curved
44260	250/9.8	50/2	Straight



## Accessories and Consumables

# Cleaning accessories $\varnothing 38, \varnothing 50, \varnothing 76$ mm / 1.5", 2", 3"

## Suction Nozzles

Dustcontrols silicone suction nozzles are compliant with food contact standards put forth by both U.S. FDA and the German BfR. While these standards do not in all cases reflect statutory norms, they do represent valid standards for using \*high polymers within food and pharmaceutical production environments. Suction Nozzles in silicone,  $\varnothing 38$  mm / 1.5".



Part No	$\varnothing$ [mm/in]
44237	38/1.5
44236	38/1.5
44235	38/1.5
44233	38/1.5
44232	38/1.5

\*High polymers are used for cleaning of processing machines and materials within the food and pharmaceutical industry.

## Welding accessories/ Extraction nozzles

$\varnothing 38, \varnothing 50$  mm / 1.5", 2"

### Technical data

Part No	Description	d Connection [mm/in]	Q nom [m <sup>3</sup> /h/cfm]	$\Delta$ pnom [kPa/inwg]
4149	Suction nozzle	50/2	250/150	1.6/6.4
6005	Universal nozzle	38/1.5	150/90	1.6/6.4
6098	Tubular nozzle	38/1.5	150/90	3.8/15.2
6610	Universal nozzle	38/1.5	150/90	1.6/6.4
6616	Universal nozzle $\varnothing 50$ mm	50/2	250/150	1.6/6.4
7148	Funnel shaped nozzle $\varnothing 50$ mm	50/2	250/150	1.6/6.4
7150	Magnetic holder for 7148, 4149	50/2	-	-



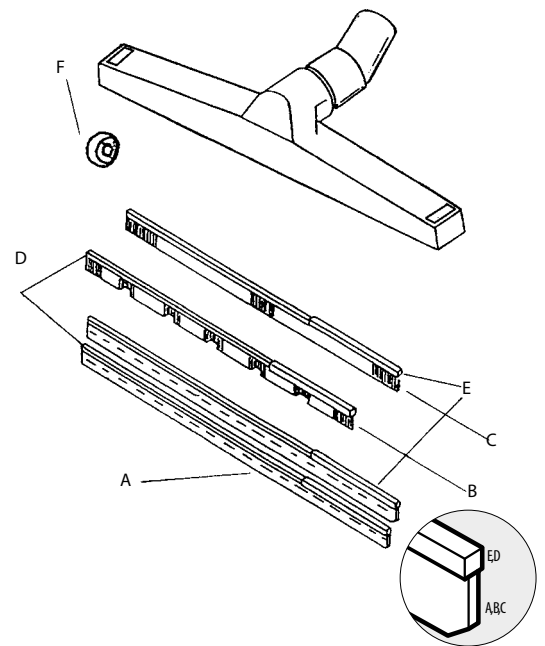


## Accessories and Consumables

# Spare Parts for Floor Tools

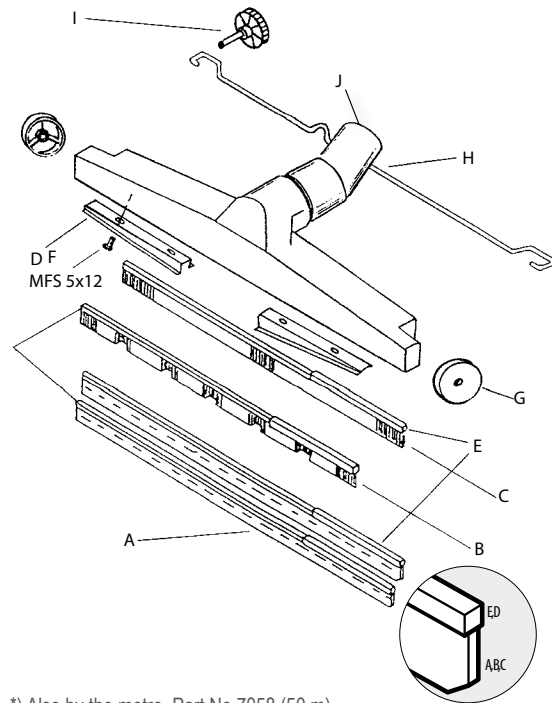
## Moulded Plastic Floor Tools Ø38 mm /1.5"

DESCRIPTION	SET	B = 12.6" /320 mm		B = 14.6" /370 mm		
		7320	7321	7322	7323	
A Rubber band B 316/288 (2 pcs)	7328	x	-	7329	x	-
B Front brush	7225	-	x	7226	-	x
C Rear brush	7326	-	x	7327	-	x
D Brush holder	7215	x	x	7216	x	x
E Brush holder	7324	x	x	7325	x	x
F Wheel, floor nozzle	40455	x	x	40455	x	x



## Cast Alu Floor Tools Ø38, Ø50 mm /1.5", 2"

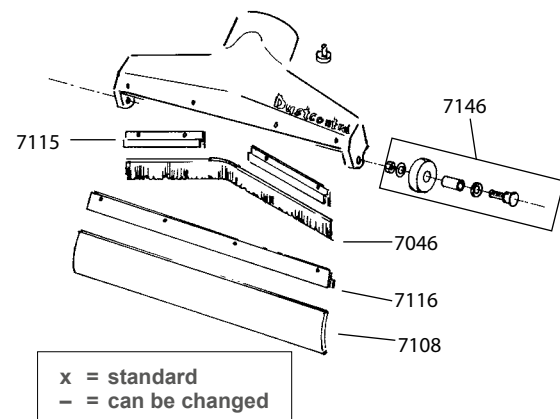
DESCRIPTION	SET	Ø 1.5"/38 mm		Ø 2"/50 mm			
		B = 14.6" /370 mm	B = 17.7" /450 mm	B = 19.7" /500 mm			
		7235	7237	7014	7236		
A Rubber band* (2 pcs)	7045	x	-	7014	x	7051	x
B Front brush	7222	-	x	7223	-	7224	-
C Rear brush	7225	-	x	7228	-	7227	-
D Brush holder	7216	x	x	7218	x	7219	x
E Brush holder	7215	x	x	7217	x	7218	x
F Cover 370 A	7242	x	x	7243	x	7244	x
G Wheel, floor nozzle A	7252	x	x	7252	x	7252	x
H Clamp	7239	x	x	7240	x	7241	x
I Adjusting screw	7253	x	x	7253	x	7253	x
J Coned connection, antistatic	7335	x	x	7335	x	7245	x



\*) Also by the metre, Part No 7058 (50 m)

## Gulper Floor Tools Ø50 mm /2", Alu






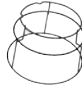


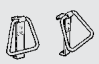





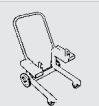


DESCRIPTION	B = 15.7" /400 mm	
SET	7307	
Rubber moulding (2 pcs)	7108	x
Brush B 450/420	7046	x
Brush holding moulding	7115	x
Brush holding moulding	7116	x
Wheel kit	7146	x



x = standard  
- = can be changed

# Containers and Accessories

## Accessories and Consumables

Part No	Description	Volume/height [l/gal / mm/in]	Capacity [kg/lb]	Picture	DC 1800*	DC 2900a	DC 3800a/i	DC 5900a/i DC Storm	Comments
42278-70	Container	20 l/5 gal 285 mm/11"	40 kg/90 lb		X				Is delivered complete with wheels, undercarriage and fasteners.
40070	Container	40 l/10.5 gal 402 mm/15.8"	60 kg/130 lb		X*	X	X		Steel container.
40409	Container with sight glass	40 l/10.5 gal 402 mm/15.8"	60 kg/130 lb		X*	X	X		Steel container with sight glass and knockout for drain tap.
40624	Container, stainless	40 l/10.5 gal 402 mm/15.8"	60 kg/130 lb		X*	X	X		Stainless steel container for liquids.
40412	Container with sight glass	55 l/14.5 gal 630 mm/24.8"	60 kg/130 lb		X*	(X)**	(X)**	X	Steel container with sight glass and knockout for drain tap. The cyclone must be raised to a higher mounting point with the container.
42369	Basket for plastic bag				X				Ensures that the bag cannot get drawn to the filter when the machine is used for light material.
4119	Drain tap 40/60 l				X	X	X	X	The drain tap is mounted on the 40 l with sight glass. R 1/2
40410	Bottom screen 40/60 l				X	X	X	X	For fluid separation; The bottom screen is installed in the bottom and the drain tap is mounted on the container, 40/60 l.
40401	Carrying handles 40 l				X	X	X	X	Heavy duty carrying handles are installed in place of the standard locking hooks. For 40 l containers.
7313	Emptying cart 40/60 l				X	X	X	X	Emptying cart for easy handling of the container.
42078	Lifter kit 60 l							X	When the 60 l container is to be used, the cyclone must be raised on the units chassis.
7368	Container	75 l/19.5 gal						X	Is delivered complete with wheels, undercarriage and fasteners.
7249	Container with sight glass	90 l/23.5 gal 700 mm	150 kg/330 lb					X	The cyclone is mounted in the higher mounting position and the bottom cone is changed.
7314	Container with sight glass, drain tap and bottom screen	90 l/23.5 gal 700 mm	150 kg/330 lb					X	The cyclone is mounted in the higher mounting position and the bottom cone is changed.
7248	Emptying cart 90 l							X	The cart for handling of the 90 l container can also be handled with a fork lift. The container is rotated for emptying.
42079	Bottom cone kit, 90 l, and extension hose							X	With the 90 l container the cyclone must be mounted at a higher position on the chassis and the bottom cone changed.
7315	Crane hook 90 l							X	The crane hook is mounted securely on the 90 l container. The container can be rotated for emptying in the elevated position.

\*) Max 40 kg/90 lb when fitted to a DC 1800.

\*\*) Fits to the cyclone but not to the standard chassis.

# Select the right bag for your machine.

46145



42702



43619



42384



42111



42951



42285



42190



42291



4714



4314



44077 ▫ 25 m /82 ft

432177 ▫ 23 m /75 ft

45379 ▫ XXX-Strong 20 m /65 ft

44763 ▫ 12 m /39 ft





# Plastic Bags

## Accessories and Consumables

MODEL	Standard Bag [Prod No]	Antistatic/ESD	Volume [l/gal]	Size Standard bag WxH [mm/in]
DC 1800	42291 <sup>A</sup>	42951 <sup>D</sup>	30/7.9	350x200x550 /13.8x7.9x21.7
DC 1800 XL	42285 <sup>D</sup>	42384 <sup>D</sup>	60/15.5	360x700 /14x27.5
DC 2900 c	42702 <sup>A</sup>	-	31/7.9	280x180x800 / 11x7.1x31.5x34.2 + 23 m /75 ft
DC 2900 L	44763 <sup>B</sup> + 432177 <sup>B</sup> Longopac	-	20/5	12 m /39 ft + 23 m /75 ft
DC 1800 H Asbestos	42285 <sup>D</sup>	42384 <sup>D</sup>	20/5	360x700 /14x27.5
DC 2800 H Asbestos	42285 <sup>D</sup>	42384 <sup>D</sup>	70/15.4	360x700 /14x27.5
DC Tromb 400 c	43619 <sup>A</sup>	42384 <sup>D</sup>	33/7.3	500x850 /19.7x33.5
DC Tromb 400 a	42285 <sup>G</sup>	42384 <sup>D</sup>	70/15.4	360x700 /14x27.5
DC Tromb 400 L	432177 <sup>B</sup> Longopac	-	-	23 m /75 ft
DC Tromb Turbo Direct c	43619 <sup>A</sup>	42384 <sup>D</sup>	33/7.3	280x170x870 /11x6.7x34.3
DC Tromb Turbo Direct L	432177 <sup>B</sup> Longopac	-	-	23 m /75 ft
DC Tromb Turbo VFD c	43619 <sup>A</sup>	42384 <sup>D</sup>	33/7.3	280x170x870 /11x6.7x34.3
DC Tromb Turbo VFD L	432177 <sup>B</sup> Longopac	-	-	23 m /75 ft
DC Tromb Twin aa	42285 <sup>G</sup>	42384 <sup>D</sup>	70/15.4	360x700 /14x27.5
DC Tromb Twin cc	43619 <sup>A</sup>	42384 <sup>D</sup>	33/7.3	280x170x870 /11x6.7x34.3
DC Tromb Twin cL	43619 <sup>A</sup> + 432177 <sup>B</sup> Longopac	42384 <sup>D</sup>	33/7.3	280x170x870 /11x6.7x34.3 + 23 m /75 ft
DC Tromb Twin LL	432177 <sup>B</sup> Longopac	-	-	23 m /75 ft
DC Tromb 400 H Asbestos	42285 <sup>G</sup>	42384 <sup>D</sup>	70/15.4	360x700 /14x27.5
DC 3800 Wood Shavings Extractor	4714 <sup>C</sup>	-	90/23	700x1100 /27.5x43.3
DC 4000 PCB	42285 <sup>D</sup>	42384 <sup>D</sup>	70/15.4	360x700 /14x27.5
DC 5900 c	46145 <sup>A</sup>	-	60/15.9	420x220x1000 /16.5x8.7x39.4
DC 5900 L	44077 <sup>D</sup> Longopac + 44248 <sup>E</sup>	-	-	25 m /82 ft
DC 5900 H Asbestos	46141 <sup>D</sup>	-	75/19.8	700x1100 /27.5x43.3
DC Storm c	46145 <sup>A</sup>	-	60/15.5	640x1000 /25.2x39.4
DC Storm L	44077 <sup>D</sup> Longopac	-	-	25 m /82 ft
DC Storm LPG	44077 <sup>D</sup> Longopac	-	-	25 m /82 ft
S 11000	4714 <sup>C</sup>	42111 <sup>C</sup>	100/26.4	700x1100 /27.5x43.3
S 11000	44078 <sup>D</sup> Holder	42111 <sup>C</sup>	90/23	700x1100 /27.5x43.3
S 2100/32000/34000/34000X	4714 <sup>C</sup>	42111 <sup>C</sup>	100/26.4	700x1100 /27.5x43.3
DC 50W /DC 75W	42190 <sup>D</sup>	-	-	-
DCF Storm c	46145 <sup>A</sup>	-	60/15.5	640x1000 /25.2x39.4
DCF Storm L	44077 <sup>D</sup> Longopac	-	-	25 m /82 ft
DCF 2900 c	42702 <sup>A</sup>	-	20/5	440x550 /17x 21.7
DCF 2900 L	44763 <sup>B</sup>	-	40/10	12 m /39 ft
DCF Tromb c / DCF Tromb a	43619 <sup>A</sup> / 42285 <sup>G</sup>	-	33/7.3	280x170x870 /11x6.7x34.3
DCF Tromb L	432177 <sup>B</sup> Longopac	-	-	23 m /75 ft
DCF Mobile	4714 <sup>C</sup>	42111 <sup>C</sup>	100/26.4	700x1100 /27.5x43.3
F 20000	4714 <sup>C</sup>	42111 <sup>C</sup>	100/26.4	700x1100 /27.5x43.3
F 30000	4714 <sup>C</sup>	42111 <sup>C</sup>	100/26.4	700x1100 /27.5x43.3
DC 1800/2800 EX	-	42951 <sup>F</sup>	40/8.8	360x400 /14x15.7
DC Tromb Turbo EX	-	42385 <sup>G</sup>	175/38.5	360x700 /14x27.5
DC 5800 Turbo EX	-	42111 <sup>C</sup>	175/38.5	450x1100 /17.7x43.3
DC 1800 TR EX	-	42384 <sup>F</sup>	70/15.4	360x700 /14x27.5
DC 2800 TR EX	42285 <sup>D</sup>	42384 <sup>D</sup>	70/15.4	360x700 /14x27.5
DC 3800 Turbo TR EX	-	42384 <sup>F</sup>	70/15.4	360x700 /14x27.5
DC 5900 Turbo TR	46145 <sup>A</sup>	-	60/15.5	640x1000 /25.2x39.4

**A** Set of 10 bags  
**B** Set of 4 bags  
**C** Set of 50 bags

**D** Individual bags  
**E** Adaption Kit for Longopac  
**F** Set of 25 bags

**G** Set of 5 bags



**Bag strap (Part No)**  
**4313, 1 m 4613, 1.5 m**

# Suction Casings



## Finding the right suction casing

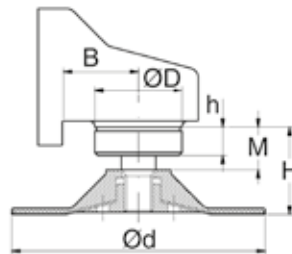
Machine		Make			Type	
D	d	H	h	A	B	M

### Legend

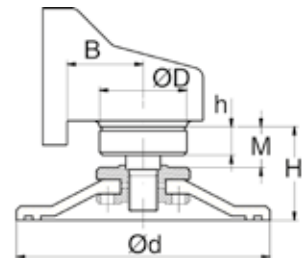
- F Fibre disc
- D Diamond cup grinding disc
- N Depressed centre disc
- K Abrasive disc, diamond disc
- S Abrasive cup stone

If you cannot find the suction casing you are looking for, contact your sales representative for pricing information regarding a product tailored to your specific needs.

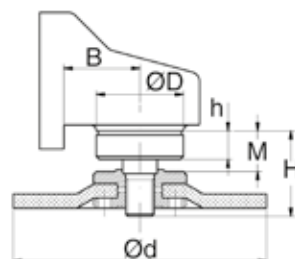
**F**  
Fibre Disc



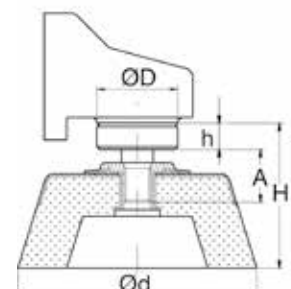
**D**  
Diamond Cup Grinding Disc



**N, K**  
Depressed Centre Disc,  
Abrasive Disc, Diamond Disc



**S**  
Abrasive Cup Stone



# Suction Casings Suction Casing Kit for Fibre Discs (F)

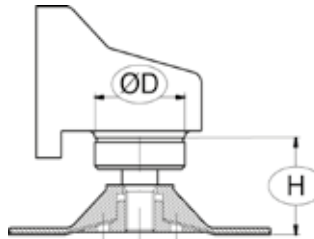
1

Measure the diameter of the disc.



2

Measure the diameter of the mounting collar on the machine - ØD and the height of the machine - H.



3

Check out our range of Suction Cases to fit your need. Mount the Suction Casing and ready to use!



## Technical data

DISC DIAMETER	Ø D [mm/in]	H [mm/in]	Connection, Ø [mm/in]	Part No
1½–3" (38–75 mm)	27 /1.1	*	32 /1.25	6833*
4" (100 mm)	40–49 /1.6–1.9	39–44 /1.5–1.7	32 /1.25	6670
4½" (115 mm)	40–49 /1.6–1.9	39–48 /1.5–1.9	32 /1.25	6671
5" (125 mm)	40–49 /1.6–1.9	39–48 /1.5–1.9	32 /1.25	6672
5" (125 mm)	50/2	38–61 /1.5–2.1	32 /1.25	6673
7" (175 mm)	54–61 /2.1–2.4	50–59 /2–2.3	38 /1.5	6674

\*\* Some Hitachi machines have a Ø40 mm /1.6" conical neck. With these, it is necessary to buy an aluminium ring (Part No. 6270). When fitted on the machine, this aluminium ring enlarges the ØD of the machine to 50 mm /1.9" – therefore choose the 5" N, K suction casing kit – Part No. 6678.





# Suction Casings Suction Casing Kit for Diamond Cup Grinding Discs (D)

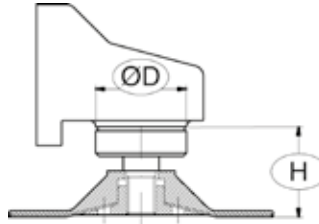
1

Measure the diameter of the disc.



2

Measure the diameter of the mounting collar on the machine -  $\varnothing D$  and the height of the machine - H.



3

Check out our range of Suction Cases to fit your need. Mount the Suction Casing and ready to use!



## Technical data

DISC DIAMETER	$\varnothing D$ [mm/in]	H [mm/in]	Connection, $\varnothing$ [mm/in]	Part No
4½" (115 mm)	40–49 /1.6–1.9	49–54 /1.9–2.1	32 /1.25	6681
5" (125 mm)	40–49 /1.6–1.9	49–70 /1.9–2.8	32 /1.25	6682
5" (125 mm)	50/2	38–61 /1.5–2.4	32 /1.25	6673
7" (175 mm)	54–61 /2.1–2.4	63–72 /2.5–2.8	38 /1.5	6683
7" (175 mm)	62–65 & 74–77 /2.4–2.6 & 2.9–3	63–86 /2.5–3.4	38 /1.5	6684



## Accessories and Consumables

# Suction Casings

## Suction Casing Kit for Depressed Centre Discs, Abrasive Discs and Diamond Discs (N, K)

1

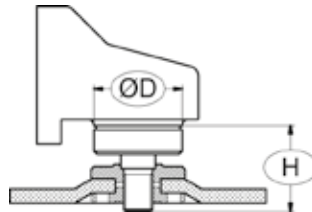
Measure the diameter of the disc.



Note: Max. thickness of disc = 18 mm.

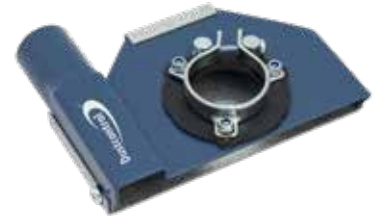
2

Measure the diameter of the mounting collar on the machine  $\varnothing D$  and the height of the machine - H.



3

Check out our range of Suction Cases to fit your need. Mount the Suction Casing and ready to use!



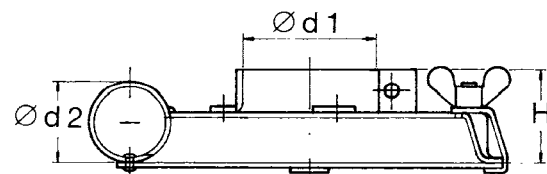
### Technical data

DISC DIAMETER	$\varnothing D$ [mm/in]	H [mm/in]	Connection, $\varnothing$ [mm/in]	Part No
4 ½" (115 mm)	40–49 /1.6–1.9	31–46 /1.2–1.8	32 /1.25	6676
5" (125 mm)	40–45 /1.6–1.8	31–46 /1.2–1.8	32 /1.25	6677**
5" (125 mm)	46–53 /1.8–2.1	31–46 /1.2–1.8	32 /1.25	6678
9"*	112 /4.4	37 /1.5	38 /1.5	6221*
9"	68 /2.7	51 /2	38 /1.5	6202*
9"	74 /2.9	54 /2.1	38 /1.5	6302*
9"	74 /2.9	37 /1.5	38 /1.5	6349*
9"	50 /2	47 /1.9	38 /1.5	6500*
9"	62 /2.4	54 /2.1	38 /1.5	6416*
9"	62 /2.4	50 /2	38 /1.5	6438*
9"	62 /2.4	48 /1.9	38 /1.5	6555*
9"	65 /2.6	40 /1.6	38 /1.5	6842*
9"	64 /2.5	52 /2	38 /1.5	6427*
9"	58 /2.3	54 /2.1	38 /1.5	6537*
9" Georges Renault KL 365		59 /2.3	38 /1.5	6388*

\* With the clamping rings welded on the suction casings.

\*\* Some Hitachi machines have a  $\varnothing 40$  mm conical neck. With these, it is necessary to buy an aluminium ring (part no 6270). When fitted on the machine, this aluminium ring enlarges the  $\varnothing D$  of the machine to 50 mm – therefore choose the 5" N, K suction casing kit – Part No 6678.

### Connection $\varnothing$



## Accessories and Consumables

# Suction Casings Suction Casing Kit for Abrasive Cup Stone (S)

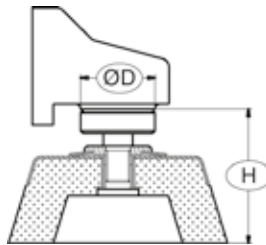
1

Measure the diameter of the disc.



2

Measure the diameter of the mounting collar on the machine  $\varnothing D$  and the height of the machine - H.



3

Check out our range of Suction Cases to fit your need. Mount the Suction Casing and ready to use!



### Technical data

DISC DIAMETER	$\varnothing D$ [mm/in]	H [mm/in]	Connection, $\varnothing$ [mm/in]	Part No
5" (125 mm)	50-77 / 1.9-3	46-81 / 1.8-3.2	38 / 1.5	6680
6" (150 mm)	74-77 / 2.9-3	46-81 / 1.8-3.2	38 / 1.5	6023

# Reciprocating Saw Suction Casings C



### Technical data

MACHINE MODEL	Connection, $\varnothing$ [mm/in]	Part No
Atlas Copco SSE 1000 X/SQ/, Milwaukee 65xx-xx (Sawzall)	32 / 1.5	6290
Milwaukee 6378	32 / 1.5	6269



## Accessories and Consumables

# Suction Casings

## Suction Casing for Hammer Drills, Chisels and Breakers



### Suction casings B, H, M, L

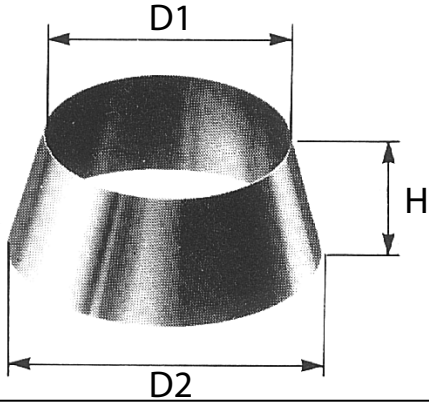
No	Part No	Connection tool Ø [mm/in]	Hose connection Ø [mm/in]	Height [mm/in]
1	6621	48 /1.89	38 /1.5	158 /6.22
2	6622	43 /1.69	38 /1.5	158 /6.22
3	6077	32 /1.26	32 /1.26	112 /4.4
4	6078	61 /2.4	38 /1.5	178 /7
5	6001 (handpipe)	-	50 /2	100 /3.9
6	6130	Bellows for 6078, 6621 and 6622		

Part No 6622 and 6077 are suitable for small chisel hammers.

### Model-specific suction casings

Part No	Model	Hose connection Ø [mm/in]
6229	Atlas Copco RRD 37/RRD 57	38 /1.5
6152	Atlas Copco BBD 11/RRC 73	38 /1.5

# Suction Casings Spare Parts for Suction Casings



Description		Dimension			Part No
		D1 [mm/in]	D2 [mm/in]	H [mm/in]	
Plastic ring for saucer grinder	5 S	121 /4.8	139 /5.5	50 /2	6003
	6 S	147 /5.8	164 /6.5	50 /2	6004
Rubber collar for fibre disc (F)	1 ½ F	39 /1.5	59 /2.3	23 /0.9	6314
	2 F	39 /1.5	69 /2.7	23 /0.9	6313
	3 F	39 /1.5	95 /3.7	25 /1	6312
	4 F	72 /2.8	117 /4.6	13 /0.5	6182
	4 ½ F	72 /2.8	135 /5.3	13 /0.5	6181
	4 ½ F	72 /2.8	135 /5.3	23 /0.9	618100
5 F	72 /2.8	145 /5.7	13 /0.5	6195	
Rubber collar for fibre disc (F)	5 F	96 /3.8	150 /5.9	15 /0.6	6006
Rubber collar for oscillating sanding machine	5 O	72 /2.8	145 /5.7	38 /1.5	6212
	6 O	96 /3.8	170 /6.7	28 /1.1	6180
Rubber collar for fibre disc (F)	7 F	112 /4.4	196 /7.7	19 /7	6002
	7 F	112 /4.4	196 /7.7	35 /1.4	6034
	8 F	112 /4.4	221 /8.7	41 /1.6	6211
	9 F	113 /4.5	250 /10	32 /1.25	6039



**Accessories and Consumables**

# Suction Casing

Customised Suction Stationary Casings

Dustcontrol can customise the suction casing to suit the production process.



Robot deburring for telecom parts



Food packing industry



Suction casing mounted on slit knife in printing press



Suction casing mounted on slit knife in printing press





## Accessories and Consumables

# Filters

### Cellulose Fine Filter

High-quality, standard filter with high filtration efficiency. Epoxy-treated for improved resistance to humidity and other elements.

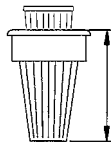
### Polyester Fine Filter

High-quality filter with exceptional resistance to most elements. Particularly suitable for applications where there is high humidity, for example in machining and tooling shops where cutting and cooling fluids are used. The filter can be washed.

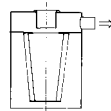
### HEPA H13 Filter

On many models a separate HEPA filter is fitted, after the fine filter. The HEPA filter is made of fibreglass with a support layer of cellulose. The filtration efficiency of 99.9% according to EN 1822-1 ensures that even the smallest particles are separated. In applications requiring special filter materials, standard filter configurations can be ordered with alternative materials.

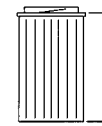
**Note:** When replacing filters, the filter holder gasket must always be checked and cleaned. Check that there are no leaks.



Conical pleated filter with sealing flange and protective jacket. The separate HEPA filter is fitted inside the fine filter.



Conical pleated filter with sealing flange.



Cylindrical pleated filter with bayonet fitting.

### DC 1800/2900, DC 1800/2800 EX, DC 1800/2800 TR EX, DC 1800/2800 Asbestos

Part No	Type of filter / Machine	Construction	Material	Area [m <sup>2</sup> /ft <sup>2</sup> ]	Classification	Max temp
42029	Fine filter, DC 1800/2900cL	Pleated around support cylinder	Cellulose, epoxy-treated	1.5 /16.2	IEC EN 60335-2-69 Part 1	176°F /80°C
42029ST	Fine filter x 48	Pleated around support cylinder	Cellulose	1.5 /16.2	IEC EN 60335-2-69 Part 1	176°F /80°C
42028	Fine filter, DC 1800/2900a, DC 1800/2800 Asbestos	Pleated	Polyester	1.5 /16.2	IEC EN 60335-2-69 Part 1	266°F /130°C
42028-01	Fine filter, DC 1800/2900, 1800/2800 TR EX DC 1800/2800 EX	Pleated	Polyester, antistatic	1.5 /16.2	IEC EN 60335-2-69 Part 1	266°F /130°C
42028-02	Fine filter, PTFE DC 1800/2900	Pleated	Polyester, PTFE	1.5 /16.2	IEC EN 60335-2-69 Del1	100 °C
42027	HEPA filter, DC 1800/2900, DC 1800/2800 EX, DC 1800/2800 TR EX, DC 1800/2800 Asbestos	Pleated	Cellulose, fibreglass	0.85 /9.1	HEPA H13 EN 1822-1	176°F /80°C

## DC Tromb, DC Tromb Twin, DC Tromb Turbo, DC Tromb Turbo EX, DC Tromb Asbestos

Part No	Type of filter / Machine	Construction	Material	Area [m <sup>2</sup> /ft <sup>2</sup> ]	Classification	Max temp
44017	Fine filter, DC Tromb Twin/Turbo/ Turbo EX/Asbestos	Pleated around support cylinder	Polyester	1.85 /20	IEC EN 60335-2-69 Part 1	176°F/80°C
44017-1	Fine filter, DC Tromb Turbo EX	See above	Polyester, antistatic	1.85 /20	IEC EN 60335-2-69 Part 1	176°F/80°C
44043	Fine filter	Pleated around support cylinder	Cellulose, epoxy-treated	1.85 /20	IEC EN 60335-2-69 Part 1	176°F/80°C
44213	Fine filter, PTFE	Pleated around support cylinder	Polyester, PTFE	2.5 /30	IEC EN 60335-2-69 Part 1	266°F /130°C
44016	HEPA filter, DC Tromb/Twin/ Turbo/Asbestos	Pleated	Cellulose, fibreglass	2.2 /23.7	HEPA H13 EN 1822-1	176°F/80°C
44016-1	HEPA filter, DC Tromb 600	Pleated	Cellulose, fibreglass	3.3 /35.6	HEPA H13 EN 1822-1	176°F/80°C
44017-2	Fine filter, DC Tromb 600	Pleated around support cylinder	Polyester	2.8 /30.2	IEC EN 60335-2-69 Part 1	176°F/80°C

## DC 3800 I, DC 3800 Wood Shavings Extractor, DC 3800 TR EX

Part No	Type of filter / Machine	Construction	Material	Area [m <sup>2</sup> /ft <sup>2</sup> ]	Classification	Max temp
42025	Fine filter, DC 3800 I, DC 3800 Wood Shavings Extractor, DC 4000 PCB	Pleated	Polyester	1.8 /19.4	IEC EN 60335-2-69 Part 1	266°F /130°C
42025ST	Fine filter x 24	Pleated	Polyester	1.8 /19.4	IEC EN 60335-2-69 Part 1	266°F /130°C
4202501	Fine filter, DC 3800 TR EX	Pleated	Polyester, antistatic	1.5 /16.2	IEC EN 60335-2-69 Part 1	176°F /80°C
42024	HEPA filter, DC 3800 Wood Shavings Extractor, DC 3800 TR EX,	Pleated	Cellulose, fibreglass	1.5 /16.2	HEPA H13 EN 1822-1	266°F /130°C

## DC 5800 Turbo Ex, DC 5900, DC 5900 Asbestos, DC 5900 TR, DC Storm, DC Storm LPG

Part No	Type of filter / Machine	Construction	Material	Area [m <sup>2</sup> /ft <sup>2</sup> ]	Classification	Max temp
429203	Fine filter, PTFE, DC 5900	Pleated around support cylinder	Polyester, PTFE	5.0 /53.8	IEC EN 60335-2-69 Part 1	266°F /130°C
44081	Fine filter, PTFE, DC Storm 600/700L	Pleated around support cylinder	Polyester, PTFE	5.0 /53.8	IEC EN 60335-2-69 Part 1	266°F /130°C
429204	Fine filter, DC 5900c 9.2 kW S, DC 5900 Asbestos 4 kW, DC 5900 TR	Pleated around support cylinder	Polyester	5.0 /53.8	IEC EN 60335-2-69 Part 1	266°F /130°C
44212	Fine filter, DC Storm 500acL, DC Storm 600/700ac	Pleated around support cylinder	Polyester	5.0 /53.8	IEC EN 60335-2-69 Part 1	266°F /130°C
4292	Fine filter, DC 5900c 9.2 kW P, DC 5900c Asbestos 9.2 kW P	Pleated around support cylinder	Polyester	8.4 /90.4	IEC EN 60335-2-69 Part 1	266°F /130°C
429206	Fine filter, DC 5800 Turbo Ex	Pleated around support cylinder	Polyester	8.4 /90.4	IEC EN 60335-2-69 Part 1	266°F /130°C
42869	HEPA filter, DC 5800 Turbo Ex, DC 5900 4/9.2 kW S, DC 5900 Asbestos 4 kW (installed under top cover), DC 5900 TR, DC Storm 500acL	Pleated around support cylinder	Cellulose, fibreglass	2.7 /29	HEPA H13 EN 1822-1	176°F /80°C
42807	HEPA filter, DC Storm 600L, DC 5900c 9.2 kW S/P, DC Storm LPG, DC 5900c Asbestos 9.2 kW P	Pleated around support cylinder	Cellulose, fibreglass	3.7 /39.8	HEPA H13 EN 1822-1	176°F /80°C

## DC AirCube

Part No	Type of filter / Machine	Construction	Material	Area [m <sup>2</sup> /ft <sup>2</sup> ]	Classification	Max temp
42690	Pre-filter, AirCube 500	Pleated carpet	Polyester	0.18 /1.9	G4	176°F /80°C
42692	HEPA filter, AirCube 500	Pleated	Cellulose, fibreglass	4.56 /49	HEPA H13 EN 1822-1	176°F /80°C
42918	Pre-filter, AirCube 1200	Cartridge	Polyester	0.4 /4.3	G4	140°F /60°C
42940	HEPA filter, AirCube 1200	Pleated	Cellulose, fibreglass	5 /54	HEPA H13 EN 1822-1	194°F /90°C
42917	Pre-filter, AirCube 2000	Cartridge	Polyester	0.5 /5.4	G4	140°F /60°C
42896	HEPA filter, AirCube 2000	Pleated around support cylinder	Cellulose, fibreglass	10 /107	HEPA H13 EN 1822-1	194°F /90°C

## Accessories and Consumables

# Filters

**Filter Units S 11000, S 11000X, S 21000, S 32000, S 34000, S 34000X, S 46000, S 11000EX, S 21000EX, S 34000EX**

Part No	Description	Construction	Material	Area [m <sup>2</sup> /ft <sup>2</sup> ]	Classification	Max temp
4292	Fine filter, S 11000, S 32000, S 34000, DC 11-Module Standard	Pleated around support cylinder	Polyester	8.4 /90.4	IEC EN 60335-2-69 Part 1	266°F /130°C
4284	Fine filter, S 11000X, S 21000, S 34000X, S 46000, DC 11-ModuleXL	Pleated around support cylinder	Polyester	12 /129.2	IEC EN 60335-2-69 Part 1	266°F /130°C
42807	HEPA filter, S 11000 HEPA, S 11000X HEPA, HEPA-Module	Pleated around support cylinder	Cellulose, fibreglass	3.7 /39.8	EN 1822-1, HEPA H13	176°F /80°C
42896-1	HEPA filter, DC HEPA box	Pleated around support cylinder	Cellulose, fibreglass	10.4 /109.8	EN 1822-1, HEPA H13	122°F /50°C
428402	Fine filter, S 11000X, S 21000, S 34000X, S 46000, S 21000EX	Pleated around support cylinder	Polyester	12 /129.2	IEC EN 60335-2-69 Part 1	266°F /130°C
429206	Fine filter, antistatic, S 11000, S 32000, S 34000, S 11000EX, S 21000EX, S 34000EX	Pleated around support cylinder	Polyester	8.4 /90.4	IEC EN 60335-2-69 Part 1	266°F /130°C

## Filters for earlier models

**DC 2500i, DC 2500, DC 2500 Twin**

Part No	Description	Construction	Material	Area [m <sup>2</sup> /ft <sup>2</sup> ]	Classification	Max temp
4889	Fine filter	Pleated	Polyester	1.4 /15	IEC EN 60335-2-69 Part 1	266°F /130°C
404901	Fine filter	Pleated around support cylinder	Cellulose	1.5 /16.2	IEC EN 60335-2-69 Part 1	158°F /70°C
4821	HEPA filter K	Pleated	Cellulose, fibreglass	1.5 /16.2	HEPA H13 EN 1822-1	158°F /70°C
4133	HEPA filter (fitted in the fine filter)	Pleated around support cylinder	Cellulose, fibreglass	0.5 /5.4	HEPA H13 EN 1822-1	176°F/80°C

**DC 2700c, DC 2700i, DC 2800c, DC 2800c Rental**

(Machines from serial number 2527595 can be equipped with HEPA filter (Part No 42027). Older models should be equipped with a HEPA combi-filter.

Part No	Description	Construction	Material	Area [m <sup>2</sup> /ft <sup>2</sup> ]	Classification	Max temp
4889	Fine filter	Pleated	Polyester	1.4 /15	IEC EN 60335-2-69 Part 1	266°F /130°C
404901	Fine filter	Pleated around support cylinder	Cellulose	1.5 /16.2	IEC EN 60335-2-69 Part 1	158°F /70°C
4821	HEPA filter K	Pleated	Cellulose, fibreglass	1.5 /16.2	HEPA H13 EN 1822-1	158°F /70°C
4133	HEPA filter (fitted in the fine filter)	Pleated around support cylinder	Cellulose, fibreglass	0.5 /5.4	HEPA H13 EN 1822-1	176°F/80°C
40479	Combi-filter (Fine filter + HEPA filter), (GS Asbestos)	Pleated	Cellulose, epoxy-treated	1.5 /16.2	HEPA H13 EN 1822-1	176°F /80°C

**DC 3700c**

Part No	Description	Construction	Material	Area [m <sup>2</sup> /ft <sup>2</sup> ]	Classification	Max temp
42026	Fine filter	Pleated around support cylinder	Cellulose, epoxy-treated	1.8 /19.4	IEC EN 60335-2-69 Part 1	176°F/80°C
42025	Fine filter	Pleated	Polyester	1.8 /19.4	IEC EN 60335-2-69 Part 1	176°F/80°C



## Accessories and Consumables

# Filters for earlier models

### DC 3500, DC 3500TR, DC 3500 Stationary, DC 5500, DC 5500i

Part No	Description	Construction	Material	Area [m <sup>2</sup> /ft <sup>2</sup> ]	Classification	Max temp
408801	Fine filter	Pleated	Polyester	1.6 /17	IEC EN 60335-2-69 Part 1	176°F/80°C
408803	Fine filter	Pleated	Cellulose	1.6 /17	IEC EN 60335-2-69 Part 1	176°F/80°C
4821	HEPA filter, DC 3500 TR	Pleated	Cellulose, fibreglass	1.5 /16.2	HEPA H13 EN 1822-1	158°F /70°C
4366	HEPA filter, DC 3500 (installed on exhaust)	Pleated around support cylinder	Cellulose, fibreglass	1.2 /12.9	HEPA H13 EN 1822-1	176°F/80°C
4422	HEPA filter, DC 5500 5 kW, 9.2 kW S (installed under top cover)	Pleated around support cylinder	Cellulose, fibreglass	2.5 /26.9	HEPA H13 EN 1822-1	176°F/80°C
4017	HEPA filter, DC 5500 9.2 kW P (installed on exhaust)	Pleated around support cylinder	Cellulose, fibreglass	2.8 /30	HEPA H13 EN 1822-1	176°F/80°C

### DC 3500i, DC 5700c, DC 5800 a/c 5 kW, DC 5800 a/c PTFE

Part No	Description	Construction	Material	Area [m <sup>2</sup> /ft <sup>2</sup> ]	Classification	Max temp
4917	Combi-filter DC 3500i (Fine filter + HEPA H13 filter)	Pleated	Cellulose, fibreglass	1.5 /16.2	HEPA H13 EN 1822-1	176°F/80°C
4422	HEPA filter, DC 5700 5 kW, 9.2 kW S (installed under top cover)	Pleated around support cylinder	Cellulose, fibreglass	2.5 /26.9	HEPA H13 EN 1822-1	176°F/80°C
4017	HEPA filter, DC 5700 9.2 kW P (installed on exhaust)	Pleated around support cylinder	Cellulose, fibreglass	2.8 /30	HEPA H13 EN 1822-1	176°F/80°C

### DC 380, DC 1500, DC AirCube

Part No	Description	Construction	Material	Area [m <sup>2</sup> /ft <sup>2</sup> ]	Classification	Max temp
4080	Pre-filter, DC 380/DC AirCube	Carpet	Polyester	0.1 /1	IEC EN 60335-2-69 Part 1	212°F/100°C
4669	Pre-filter, DC 1500	Carpet	Polyester	0.3 /3.2	IEC EN 60335-2-69 Part 1	212°F/100°C
42136	HEPA filter, DC AirCube	Pleated HEPA filter box	Fibreglass	5.2 /55.9	EN 1822-1, HEPA H13	176°F/80°C

### DC 3800a/c, DC 3800c Turbo, DC 3800 Turbo EX, DC 3800c Twin DC 3800 TR S, DC 3800i, DC 3800 Stationary, DC 3900, DC 4000 PCB

Part No	Description	Construction	Material	Area [m <sup>2</sup> /ft <sup>2</sup> ]	Classification	Max temp
42026	Fine filter	Pleated around support cylinder	Cellulose, epoxy-treated	1.8 /19.4	IEC EN 60335-2-69 Part 1	176°F/80°C
42026ST	Fine filter x 24	See above	Cellulose	1.8 /19.4	IEC EN 60335-2-69 Part 1	176°F/80°C
42025	Fine filter	Pleated	Polyester	1.8 /19.4	IEC EN 60335-2-69 Part 1	176°F/80°C
42025ST	Fine filter x 24	Pleated	Polyester	1.8 /19.4	IEC EN 60335-2-69 Part 1	176°F/80°C
42465	Fine filter, PTFE	Pleated around support cylinder	Polyester, PTFE	1.8 /19.4	IEC EN 60335-2-69 Part 1	176°F/80°C
42024	HEPA filter	Pleated	Cellulose, fibreglass	1.5 /16.2	HEPA H13 EN 1822-1	176°F/80°C
42398	Fine filter, grounded	Pleated around support cylinder	Polyester	1.8 /19.4	IEC EN 60335-2-69 Part 1	176°F/80°C
4202501	Fine filter	Pleated	Antistatic	1.5 /16.2	IEC EN 60335-2-69 Part 1	176°F/80°C

## Accessories and Consumables

# Packaging

## Dustcontrol Premium Packaging

Dustcontrol is now offering a more robust premium alternative of packaging to protect and secure the transport of larger mobile and semi-mobile units. Premium packaging is designed for fast, quiet and ergonomic mounting/disassembling with the aid of sheet metal clips and tape sealing.

Premium Packaging is an option when ordering and the prices are set according to the table above. Up on return an undamaged packaging to Dustcontrol AB, half of the packaging cost will be credited.



### Part No Description

44637	Premium Packaging for DC 11-Module XL
44638	Premium Packaging for DC 5900 / DC Storm
44639	Premium Packaging for DC Storm
44640	Premium Packaging for DC 11-Module / DC Storm LPG



Healthy Business – Sustainable Business

# Sustainability at Dustcontrol



Dustcontrol operates within the environmental sector. Our products are made to minimise the release of dust, fluids, and other hazardous particles into the environment. Our slogan **Technology for Healthy Business** is an approach that characterises our entire operation.

Dustcontrols sustainability initiative is about having an active and credible work both internally and externally; INTERNAL for continued investments in adapting the business in relation to the sustainability perspective. EXTERNALLY for a reduced climate impact in the entire value chain for our products and services. Dustcontrols sustainability strategy is inspired by the UN's 17 global goals and works actively to contribute to them.

The four focus areas of Dustcontrols sustainability strategy are:



RESPONSIBLE SOURCING  
REDUCED ENVIRONMENTAL IMPACT

SUSTAINABLE PRODUCT DEVELOPMENT  
ATTRACTIVE WORKPLACE

## THE GLOBAL GOALS



Dustcontrol is certified in accordance with ISO 9001 and 14001 with an integrated quality and environmental management system. This includes process management, identifying our environmental footprint, adhering to regulations, and training our employees in the topic. We carefully adhere to the EU's Reach and RoHS directives in order to minimise our use of chemicals. With the help of Lean production, we continuously evaluate our processes and look to improve our overall efficiency.







Dustcontrol

# INVISIBLE

THE HAZARDS ARE WHAT YOU CANNOT SEE

Our mission is to highlight the health concerns and consequences of not using the right equipment. We highlight the dangers – those tiny particles that penetrate deep into the lungs, causing lung cancer, asthma and chronic bronchitis, among other things. To be a leader in this industry you need a core issue. Ours is health. This campaign is the realisation of our brand promise – Technology for Healthy Business. We create products that solve the problems associated with unhealthy working environments and that eliminate the hazards the eye cannot see.

Visit [dustcontrol.com](http://dustcontrol.com) to read more about how we can help you with what you cannot see.

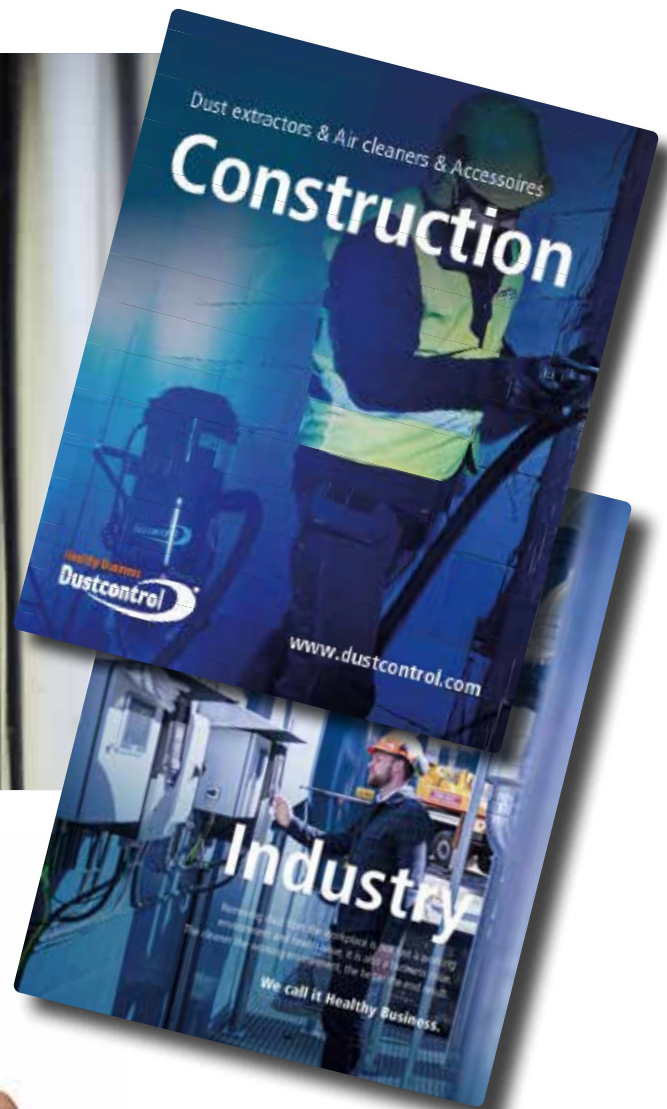
# www.dustcontrol.com

Contact our Customer Service Department in our Head Office in Norsborg or visit our website for our worldwide distributors for further info, support, service or a demonstration.

## Head Office

Dustcontrol AB  
Box 3088 • Kumla Gårdsväg 14  
145 03 Norsborg, Sweden  
Telephone: +46(0)8 531 940 00  
support@dustcontrol.se  
www.dustcontrol.com

Download our catalogues from [Dustcontrol.com](http://Dustcontrol.com)



## Save time – use QR codes

There are QR codes on all our mobile machines. Scan the code and you will be able to see videos on filter cleaning and how to replace filters and plastic bags.

No QR reader in your smartphone?  
Download it from the App/Android store.

## Which solution will you choose?

As a true professional, you have high requirements for your equipment. Dustcontrol has been involved with dust extraction and material transport for nearly 50 years and we supply dust extractors and air cleaners for all types of applications. No matter what you choose, you can be sure of getting truly professional equipment that is built with your work environment and health in mind.

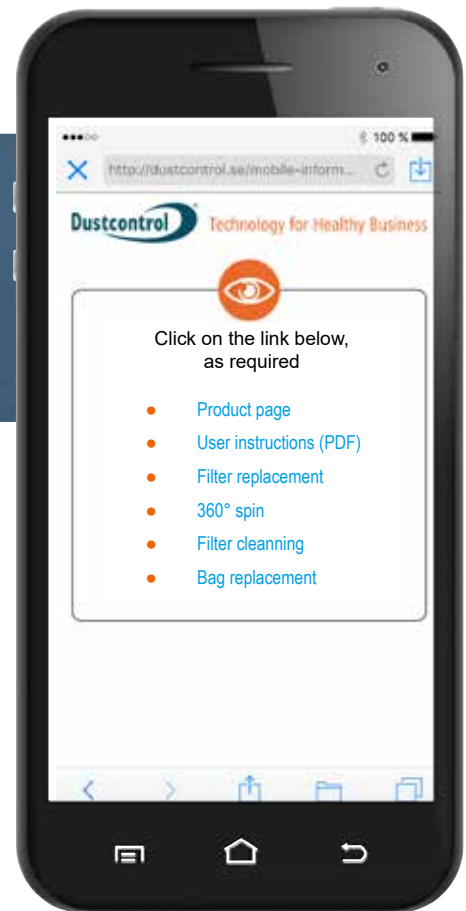




# Dustcontrol QR Codes

Easily scanned using a smartphone, QR codes work like quick links, taking you straight to the information you need. We aim to make it easy for you to find information about our products, such as how to replace and clean the filter, or replace the bag. Our QR codes make it easy to find helpful instructional videos in English, Swedish, German or Finnish.

To scan the codes, you will need to download a QR code reader app. These can be obtained free of charge via the App Store, Android Market or similar platforms.



## QR codes on our machines & accessories

DC 1800,  
DC 2800, DC 2900



DC Tromb



DC 5800, DC 5900,  
DC Storm, DC Tromb Turbo



DC AirCube  
500 / 1200 / 2000



DC Wet-Vac  
50W / 75W



DC Accessories  
Food Industry



Go to YouTube for a short guidance:  
<https://youtu.be/OBSocYF-6MU>



# Dustcontrol Worldwide



AT

Dustcontrol Ges.m.b.H.  
info@dustcontrol.at  
www.dustcontrol.at



AU

Archquip – All Preparation Equipment  
www.allpreparationequipment.com.au



BA

TENZO d.o.o.  
info@tenzo.ba  
www.tenzo.ba



BENELUX

Dust Solutions BV  
www.dustsolutions.nl



CA

Dustcontrol Canada Inc.  
info@dustcontrol.ca  
www.dustcontrol.ca



CH

Rosset Technik  
Maschinen Werkzeuge AG  
info@rosset-technik.ch  
www.rosset-technik.ch



CL

Ambitec S.A.  
informaciones@ambitec.cl  
www.ambitec.cl



CN

Suzhou Dustcollect Filtration  
Technology Co. Ltd.  
wang@dustcollect.cn  
www.dustcollect.cn



CZ / SK

IML TRADING s. r. o.  
info@dustextraction.sk  
www.dustextraction.sk



DE

Dustcontrol GmbH  
info@dustcontrol.de  
www.dustcontrol.de



DK

CONSTRUCTION:  
Erenfred Pedersen A/S  
info@ep.dk  
www.ep.dk

INDUSTRY:  
Dansk Procesventilation ApS  
info@dansk-procesventilation.dk  
www.dansk-procesventilation.dk



EE

G-Color Baltic OÜ  
sales@g-color.ee  
www.g-color.ee



ES

Barin, s.a.  
info@barin.es  
www.barin.es



GB

Dustcontrol UK Ltd.  
sales@dustcontrol.co.uk  
www.dustcontrol.co.uk



GR

Mavrogianakis S.A  
ektox@enternet.gr  
www.ektoxetine.com.gr



FI

Dustcontrol FIN OY  
dc@dustcontrol.fi  
www.dustcontrol.fi



FR

CONSTRUCTION:  
SMH Equipements  
info@abequipements.com  
www.smhequipements.com

INDUSTRY:  
Dustcontrol AB  
info@dustcontrol.fra  
www.dustcontrol.fra



HR

Kermek d.o.o.  
kruno.nedeljko@kermek.com  
www.kermek.com



HU

Vandras Kft  
vandras@t-online.hu  
www.vandras.hu



IN

Advance Ventilation Pve Ltd.  
sales@advanceventilation.com  
www.advanceventilation.com



IT

Airum srl  
info@airum.com  
www.airum.com



KR

ESH Engineering Co.  
eshengco@gmail.com  
www.eshengco.com



LT

UAB Hidromega  
info@hidromega.lt  
www.hidromega.lt



LV

SIA Reaktivs  
reaktivs@reaktivs.lv  
www.reaktivs.lv



MY, ID

Städa Enviroospace Bhd  
info@stada.com.my  
www.stada.com.my



NO

Teijo Norge A.S  
firmapost@teijo.no  
www.teijo.no



NZ

Artizan Diamond Tools  
enquiry@artizandiamond.co.nz  
www.artizandiamond.co.nz



PE

Efixo  
contacto@efixo.pe  
www.efixo.pe



PH

Sweden Concrete Machines Inc.  
peringe@packoskick.se  
www.swedenconcretemachines.ph



PL

Bart Sp. z. o.o.  
info@bart-vent.pl  
www.bart-vent.pl



PT

Metec-Mecano Técnica, Lda.  
geral@metec.pt  
www.metec.pt



RO

General Contractor Industry SRL  
office@gci-grup.ro  
www.gci-grup.ro



RS

Enel Alati  
eneldoo@eunet.rs  
www.eneldoo.rs



RU

Centre Vacuum System  
panov.g@movers-td.com  
www.dustcontrolrus.ru



SE

Dustcontrol AB  
info@dustcontrol.se  
www.dustcontrol.com



SG

Städa Enviroospace Pte Ltd  
Info@stada.com.my  
www.stada.com.my



TH

Vast Metal and Machinery Co., Ltd.  
vastmetal@vastmm.com  
www.vastmm.com



TR

Ventek Mühendislik Ltd.  
info@ventek.com.tr  
www.ventek.com.tr



AE

Global Enterprises Trading Co L.L.C.  
sales@globalentco.com  
www.globalentco.com

GEM  
Industrial Equipment Trading Co.  
Tel: +971 4 8840 474  
Email: gemuae@eim.ae



UA

MBK Obshemashkontrakt, JSC  
zao@omk.dp.ua  
www.omk.dp.ua



US

Dustcontrol Inc.  
info@dustcontrolusa.com  
www.dustcontrol.us



VN

Tayhostar JSC  
tayhostar@tayhostar.vn  
www.tayhostar.vn

Please contact the head office  
in Sweden if you do not find a  
distributor in your area.  
info@dustcontrol.se

**Dustcontrol**®





Healthy Business

**Dustcontrol**®

[www.dustcontrol.com](http://www.dustcontrol.com)

Published by Dustcontrol AB 2023 © [www.dustcontrol.com](http://www.dustcontrol.com). Prod No 903010\_20231004